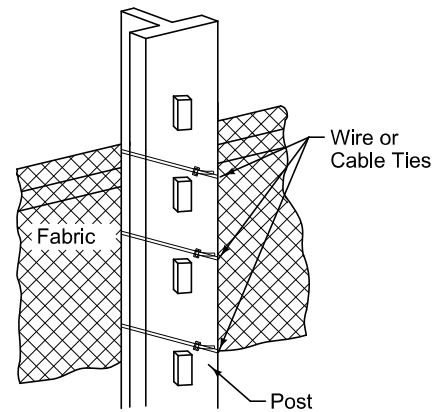



① Insert 12 inches of fabric a minimum of 6 inches deep (fabric may be folded below the ground line).

TYPICAL SILT FENCE DITCH CHECK



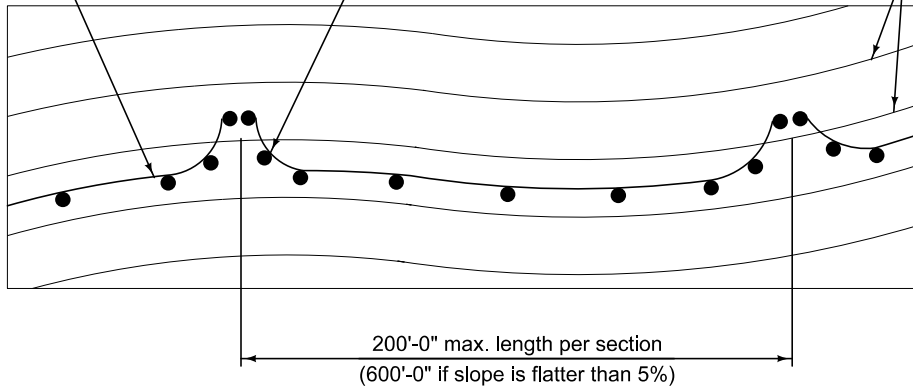
ATTACHMENT TO POST

	REVISION 2 10-21-14	
	SUDAS 9040.119	
SUDAS Standard Specifications		
SILT FENCE		

Install parallel to ground contour.

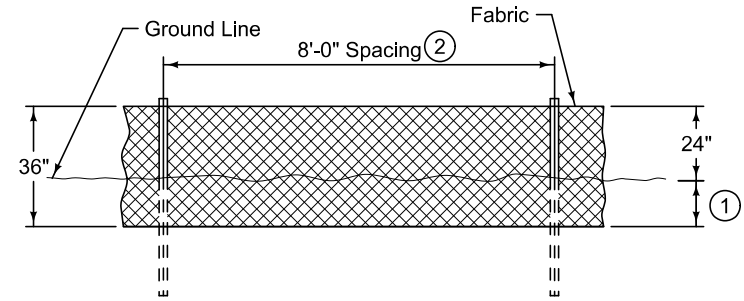
Install "J-hook" at each end of an individual section of silt fence.

Ground Contours



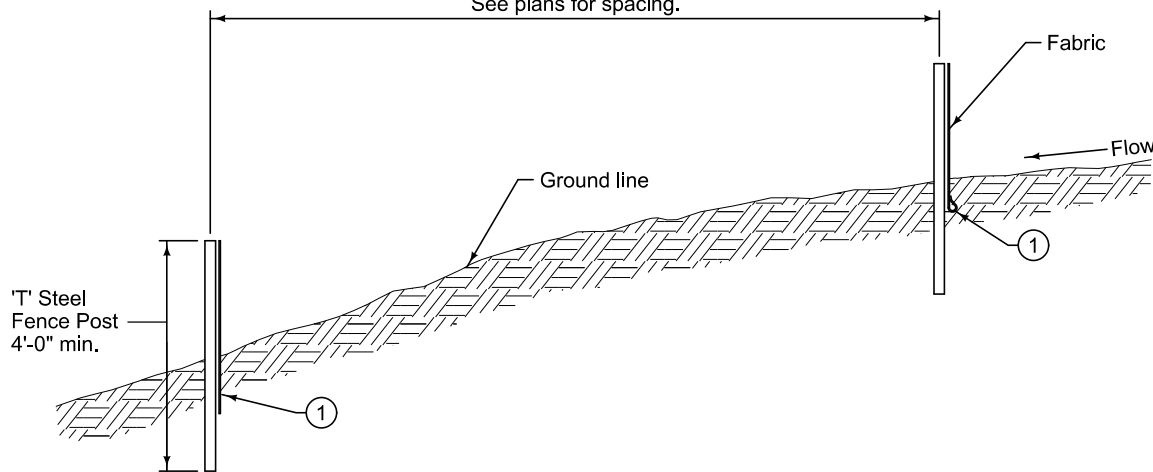
TYPICAL SILT FENCE INSTALLATION ON LONGITUDINAL SLOPES
(Plan View)

- ① Insert 12 inches of fabric a minimum of 6 inches deep (fabric may be folded below the ground line).
- ② Reduce post spacing to 5'-0" at water concentration areas, or as required to adequately support fence.



DETAILS OF SILT FENCE ON LONGITUDINAL SLOPES

See plans for spacing.



TYPICAL SILT FENCE INSTALLATION ON LONGITUDINAL SLOPES
(Profile View)

	REVISION
	2 10-21-14
	SUDAS 9040.119
SHEET 2 of 2	

SUDAS Standard Specifications

SILT FENCE