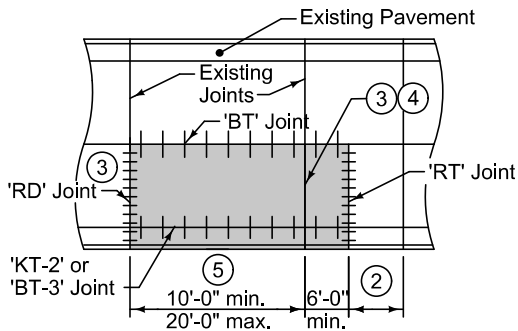
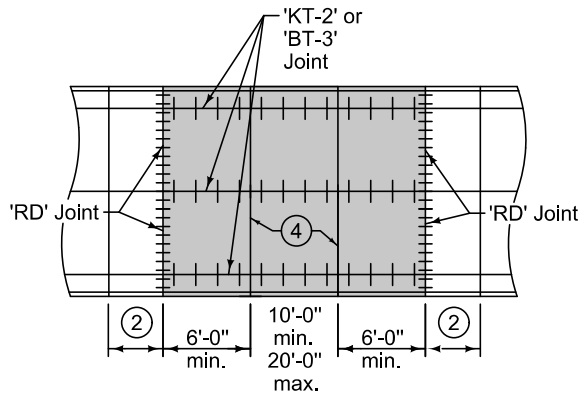


GUTTERLINE JOINTING

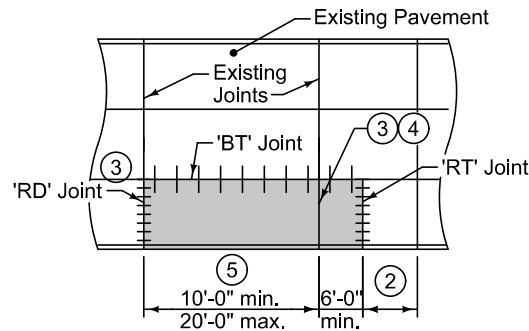


ONE PANEL WIDTH PATCH

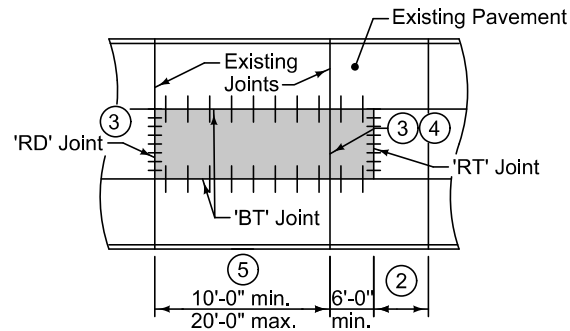


FULL ROADWAY WIDTH PATCH

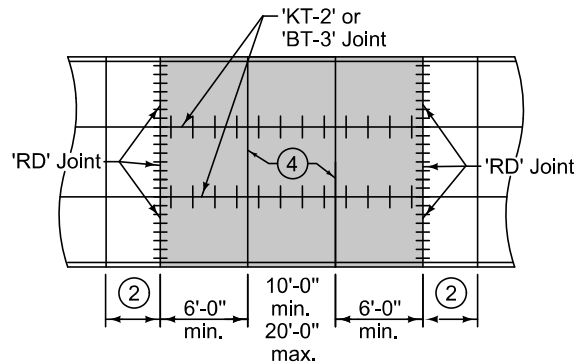
THIRD POINT JOINTING ①



OUTSIDE PANEL PATCH



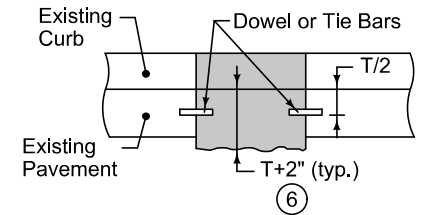
CENTER PANEL PATCH



FULL ROADWAY WIDTH PATCH

- ① Patches on roadways with quarter point jointing will be similar to third point jointing details.
- ② Minimum distance between existing joint and patch is 6 feet. If distance is less than 6 feet, extend patch to existing joint.
- ③ Match existing joint type and locations.
- ④ 'C' joint unless 'CD' joint is specified.
- ⑤ If existing joint spacing is greater than 20 feet, add a 'CT' joint at mid-panel.
- ⑥ If subgrade or subbase material is required below patch, bring material to a level 2 inches below bottom of existing pavement.

LONGITUDINAL SECTION THRU PCC PATCH



	REVISION
	3 10-17-17
	7040.102
SHEET 1 of 1	

SUDAS Standard Specifications

FULL DEPTH PCC PATCHES
GREATER THAN 15' LONG