

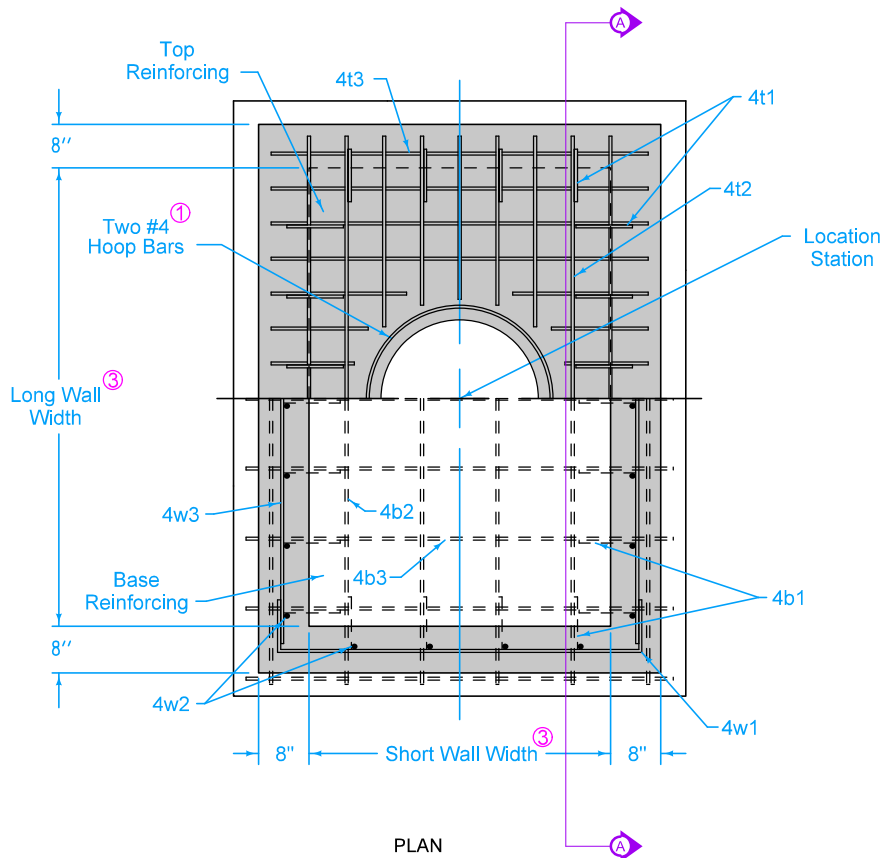
TYPICAL SECTION

Adjacent walls may have different widths based upon pipe configuration, but structure must be rectangular.

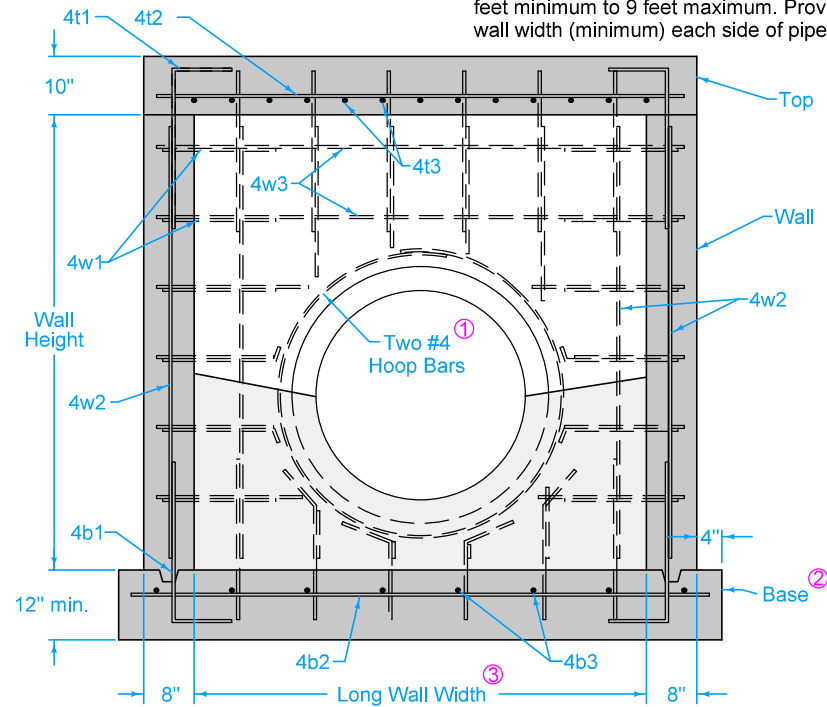
- ① Provide two #4 hoop bars at top opening and at all pipe openings.
- ② Cast-in-place base shown. If base is precast integral with walls, the footprint of the base is not required to extend beyond the outer edge of the walls.
- ③ Wall widths vary with pipe diameter and range from 4 feet minimum to 9 feet maximum. Provide 12 inches of wall width (minimum) each side of pipe opening.
- ④ 12 inch minimum wall height above all pipes.

SUDAS	IOWADOT	REVISION
		1   04-17-18
FIGURE 6010.403	STANDARD ROAD PLAN	<b>SW-403</b>
		SHEET 1 of 2
<small>REVISIONS: Changed 'invert' callout to 'Concrete Fillet'. Updated the work and DOT and SUDAS logos.</small>		
<i>Paul D. Wigand</i> SUDAS DIRECTOR		<i>Brian Smith</i> DESIGN METHODS ENGINEER
<b>DEEP WELL RECTANGULAR STORM SEWER MANHOLE</b>		

FIGURE 6010.403 SHEET 1 OF 2



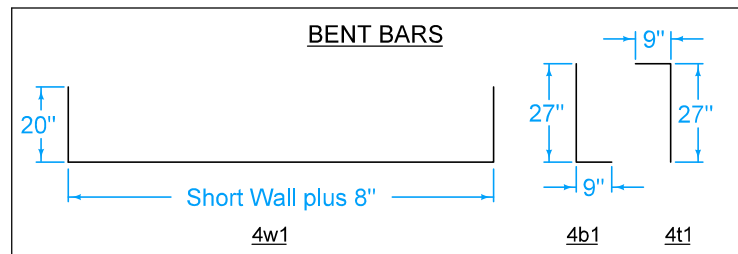
- ① Provide two #4 hoop bars at top opening and at all pipe openings.
- ② Cast-in-place base shown. If base is precast integral with walls, the footprint of the base is not required to extend beyond the outer edge of walls.
- ③ Wall widths vary with pipe diameter and range from 4 feet minimum to 9 feet maximum. Provide 12 inches of wall width (minimum) each side of pipe opening.



PLAN

SECTION A-A

REINFORCING BAR LIST					
Mark	Size	Location	Shape	Length	Spacing
4t1	4	Top	└	36"	12"
4t2	4	Top	—	Long Wall plus 12"	6"
4t3	4	Top	—	Short Wall plus 12"	6"
4b1	4	Base	└	36"	12"
4b2	4	Base	—	Long Wall plus 18"	12"
4b3	4	Base	—	Short Wall plus 18"	12"
4w1	4	Walls	└	Short Wall plus 48"	12"
4w2	4	Walls	—	Wall Height minus 4"	12"
4w3	4	Walls	—	Long Wall plus 12"	12"



		REVISION
		1 04-17-18
FIGURE 6010.403	STANDARD ROAD PLAN	<b>SW-403</b>
SHEET 2 of 2		
<small>REVISIONS: Changed 'invert' callout to 'Concrete Fflet'. Updated the work and DOT and SUDAS logos.</small>		
<i>Paul D. Wigand</i> <small>SUDAS DIRECTOR</small>		
<i>Brian Smith</i> <small>DESIGN METHODS ENGINEER</small>		
<b>DEEP WELL RECTANGULAR STORM SEWER MANHOLE</b>		