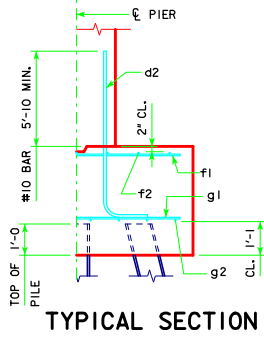


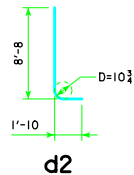
REVISED 05-13 - REVISION FOR LRFD PILE DESIGN.



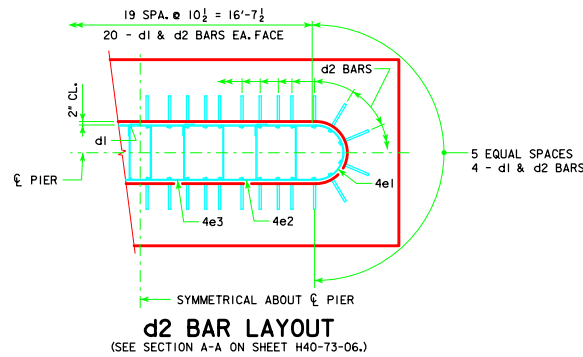
H IN FT.	C - ABUT. BRG.	PILING (HP10x57)	FOOTING SIZE
20 TO 27	15C	205	4' x 9' x 26'
		212	
		207	
		215	
28 TO 33	15C	210	4' x 9' x 26'
		217	
		212	
		219	
34 TO 36	16C	214	4' x 9' x 26'
		207	
		215	
		219	
37 TO 40	17A	213	4' x 10' x 27'
		207	
		215	
		214	
41 TO 43	15D	218	4' x 10' x 27'
		211	
		219	
		219	

① NOTE: PU, STRENGTH I DESIGN LOAD (KIPS) IS NOT THE VALUE USED IN THE FIELD FOR DRIVING PILES.

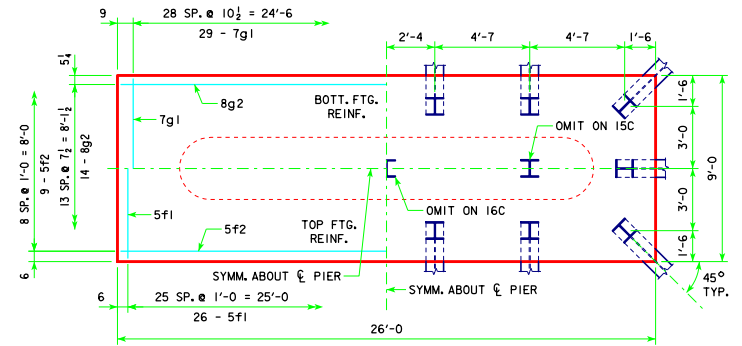
FOOTING SIZE	REINFORCING STEEL (ONE FOOTING)			TOTAL WEIGHT (LB.)	STRUCTURAL CONCRETE (CY)
	BAR NO., SIZE & SPACING	LENGTH	WEIGHT (LB.)		
4' x 9' x 26'	d2 48 - #10 AS SHOWN	10'-6"	2169	4118	34.7
	f1 26 - #5 @ 1'-0"	8'-8"	235		
	f2 9 - #5 @ 1'-0"	25'-8"	241		
	g1 29 - #7 @ 0'-10 1/2"	8'-8"	514		
	g2 14 - #8 @ 0'-7 1/2"	25'-8"	959		
	d2 48 - #10 AS SHOWN	10'-6"	2169		
4' x 10' x 27'	f1 27 - #5 @ 1'-0"	9'-8"	272	4672	40.0
	f2 10 - #5 @ 1'-0"	26'-8"	278		
	g1 30 - #8 @ 0'-10 1/2"	9'-8"	774		
	g2 13 - #9 @ 0'-9 1/2"	26'-8"	1179		



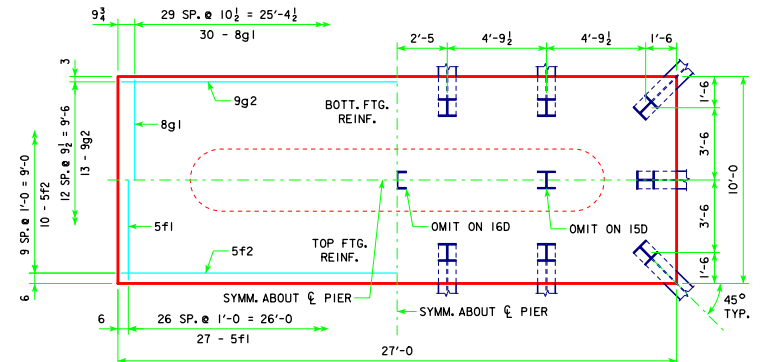
NOTE: D = PIN DIAMETER. DIMENSIONS ARE OUT TO OUT.



**d2 BAR LAYOUT**  
(SEE SECTION A-A ON SHEET H40-73-06.)



**4'-0" x 9'-0" x 26'-0" FOR 15C, 16C & 17A**



**4'-0" x 10'-0" x 27'-0" FOR 15D, 16D & 17B**

**FOOTING NOTES:**

THESE FOOTINGS ARE DESIGNED AND DETAILED TO BE USED WITH THE CAP AND COLUMN DETAILS OF THE TEE PIERS AS SHOWN ON SHEET H40-73-06.

BATTER PILES IN EXTERIOR ROWS 1:4 IN THE DIRECTION SHOWN.

STEEL PILING USED AS POINT BEARING SHALL HAVE A MINIMUM DISTANCE OF APPROXIMATELY 10 FEET FROM BOTTOM OF FOOTING TO TOP OF BEARING ROCK. THE PILE LAYOUTS ARE SUCH THAT THE DISTANCE CENTER TO CENTER OF ADJACENT PILING SHALL NOT EXCEED 8'-0".

PIER PILES SHALL BE DRIVEN TO VALUES SHOWN IN DESIGN PLANS.

LATEST REVISION DATE 05-13	APPROVED BY BRIDGE ENGINEER <i>Thomas E. McQuinn</i>		STANDARD DESIGN - 40' ROADWAY, THREE SPAN BRIDGE
			<b>PRETENSIONED PRESTRESSED CONCRETE BEAM BRIDGES</b> AUGUST, 2009
<b>TEE PIER-HP10x57 SRL-2 STEEL PILE FOOTINGS</b>			<b>H40-78-06</b>
30° SKEW - H=25' TO 40'			