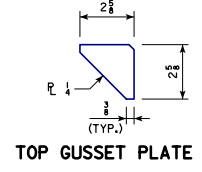
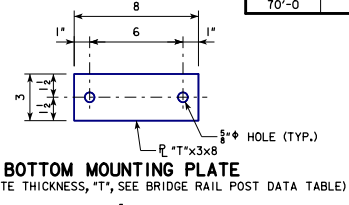
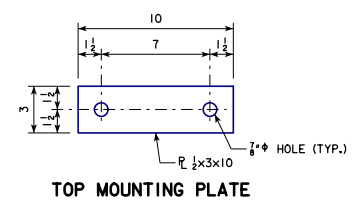
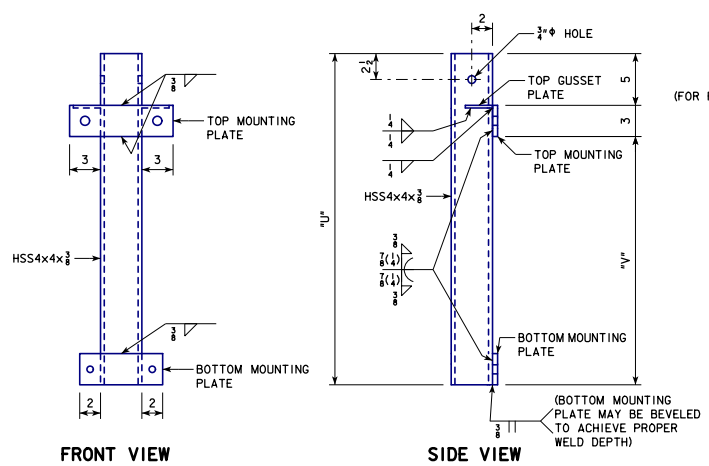
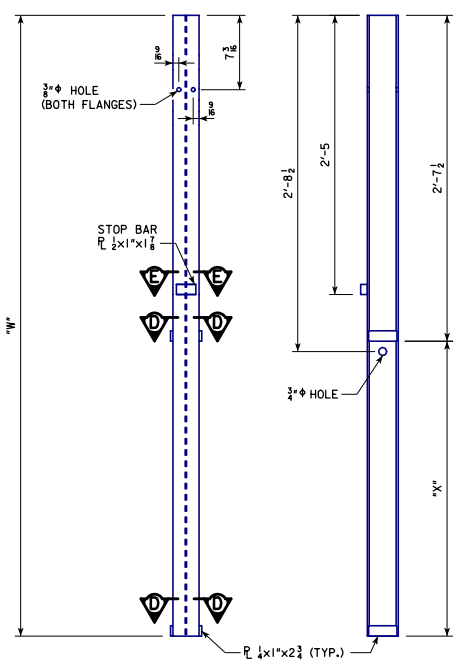
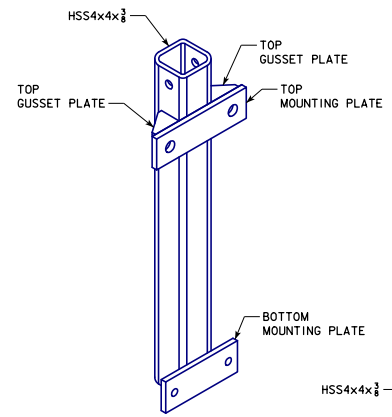
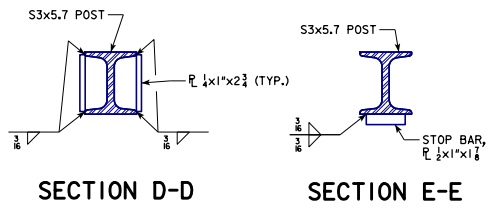


BRIDGE RAIL POST STRUCTURAL STEEL									
	REINFORCED CONCRETE BOX BEAMS			PRETENSIONED PRESTRESSED CONCRETE BOX BEAMS					
	SPAN	30'-0"	40'-0"	50'-0"	30'-0"	40'-0"	50'-0"	60'-0"	70'-0"
POST S3 x 5.7 (LBS.)	26.8	26.8	29.6	23.9	23.9	26.8	26.8	29.6	29.6
POST SOCKET ASSEMBLY (LBS.)	48.8	48.8	58.3	39.3	39.3	48.8	48.8	58.3	58.3
BOLTS, STUDS, NUTS, WASHERS (LBS.): (1) $\frac{3}{8}$ " x 1 $\frac{1}{4}$ " BOLT W/ NUT & WASHER (1) $\frac{3}{8}$ " x 5" BOLT W/ NUT & WASHER (2) $\frac{3}{8}$ " x 9" BOLTS (2) $\frac{3}{8}$ " x 2 $\frac{1}{4}$ " COUPLING NUTS (2) $\frac{3}{8}$ " x 3" STUDS W/ NUTS & WASHERS (2) $\frac{1}{2}$ " x 3" BOLTS (2) $\frac{1}{2}$ " x 1 $\frac{1}{2}$ " COUPLING NUTS (2) $\frac{1}{2}$ " x 2 $\frac{1}{2}$ " STUDS W/ NUTS & WASHERS	7.1	7.1	7.1	7.1	7.1	7.1	7.1	7.1	7.1
WEIGHT PER ASSEMBLY (LBS.)	82.7	82.7	95.0	70.3	70.3	82.7	82.7	95.0	95.0
NUMBER OF POSTS	20	26	32	20	26	32	38	46	46
TOTAL WEIGHT (LBS.)	1654	2150	3040	1406	1828	2646	3143	4370	4370

ONE POST ASSEMBLY

BRIDGE RAIL POST DATA TABLE					
SPAN	POST SOCKET			POST	
	"T"	"U"	"V"	"W"	"X"
REINFORCED CONCRETE BOX BEAMS					
30'-0"	$\frac{3}{8}$	2'-2"	1'-6"	4'-6"	1'-10 $\frac{1}{2}$ "
40'-0"	$\frac{3}{8}$	2'-2"	1'-6"	4'-6"	1'-10 $\frac{1}{2}$ "
50'-0"	1	2'-8"	2'-0"	5'-0"	2'-4 $\frac{1}{2}$ "
PRETENSIONED PRESTRESSED CONCRETE BOX BEAMS					
30'-0"	$\frac{3}{8}$	1'-8"	1'-0"	4'-0"	1'-4 $\frac{1}{2}$ "
40'-0"	$\frac{3}{8}$	1'-8"	1'-0"	4'-0"	1'-4 $\frac{1}{2}$ "
50'-0"	$\frac{3}{8}$	2'-2"	1'-6"	4'-6"	1'-10 $\frac{1}{2}$ "
60'-0"	$\frac{3}{8}$	2'-2"	1'-6"	4'-6"	1'-10 $\frac{1}{2}$ "
70'-0"	1	2'-8"	2'-0"	5'-0"	2'-4 $\frac{1}{2}$ "



LATEST REVISION DATE	 APPROVED BY BRIDGE ENGINEER	 STANDARD DESIGN - 30'-0 ROADWAY, SINGLE SPAN CONCRETE BOX BEAM BRIDGES	DECEMBER, 2016			
				BRIDGE RAIL POST DETAILS (SHEET 2 OF 2)		B30-65-16