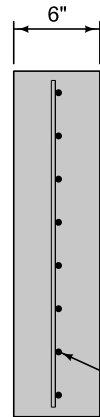
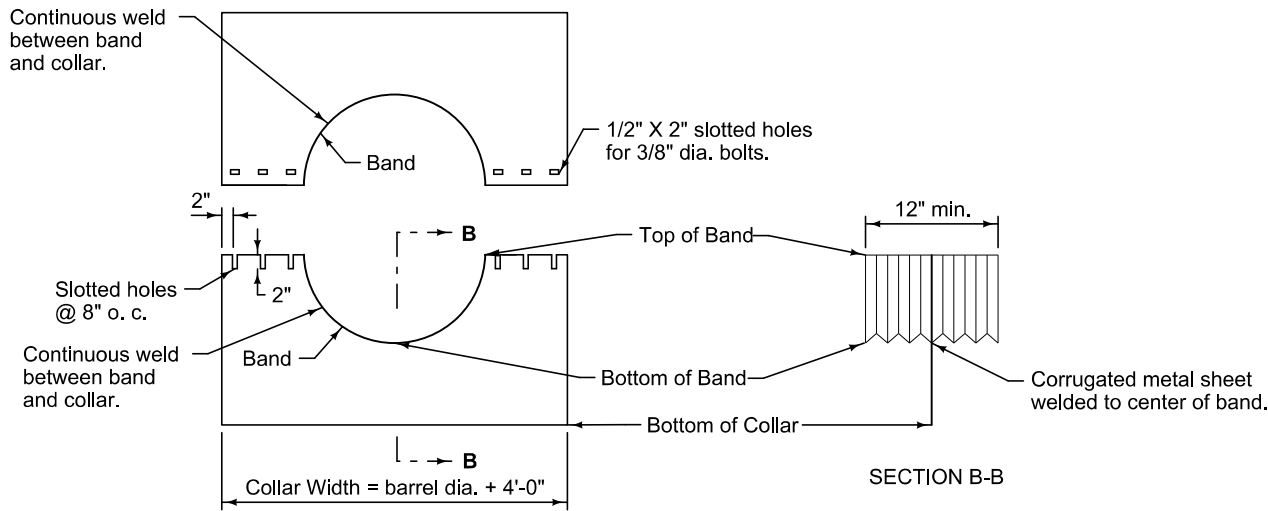


CONCRETE COLLAR



SECTION A-A

Anti-seep collars are not required unless specified in the contract documents.



CMP COLLAR

FIGURE 9040.117 SHEET 1 OF 1

	REVISION
	2   10-21-14
	<b>9040.117</b>
SHEET 1 of 1	

SUDAS Standard Specifications

ANTI-SEEP COLLAR