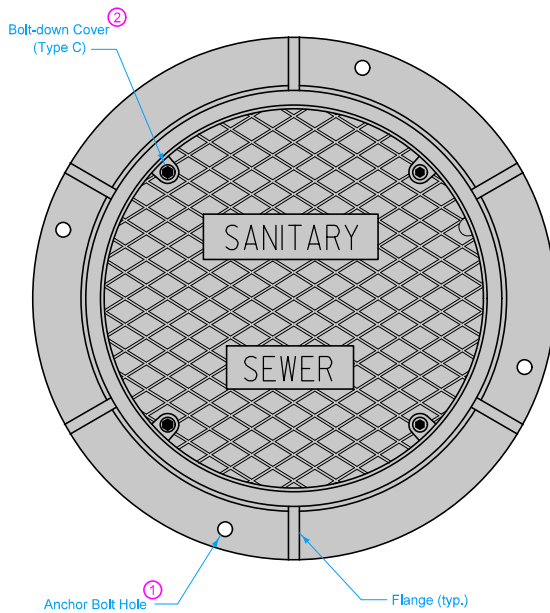


TYPE A

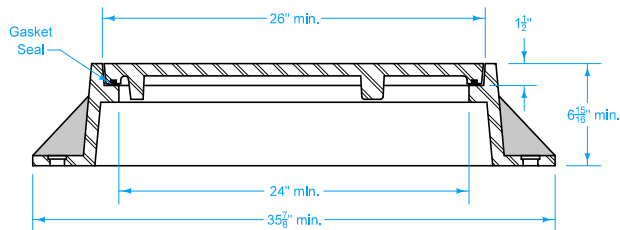
Two-piece fixed casting

TYPE C

Two-piece fixed casting with bolt-down cover ²



PLAN



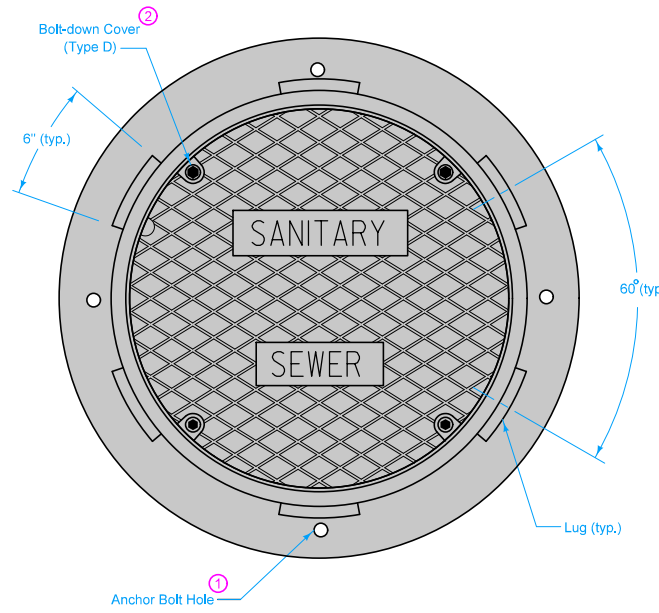
TYPICAL SECTION

TYPE B

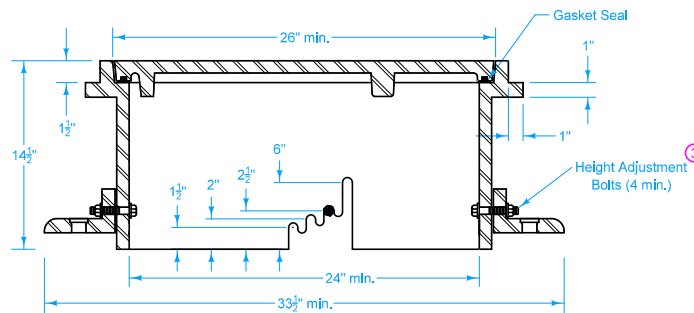
Three-piece floating casting

TYPE D

Three-piece floating casting with bolt-down cover ²



PLAN



TYPICAL SECTION

Frame Notes:
Size and spacing of lugs and flanges may vary.

Cover Notes:
Roughness pattern and text style may vary.
Minimum one concealed pickhole.

- ¹ When the contract documents require the frame to be attached to the structure, drill four $\frac{7}{8}$ " diameter holes or slots, equally spaced around frame.
- ² If specified, furnish bolt down frame and cover with four $\frac{1}{2}$ " x $2\frac{1}{2}$ " stainless steel, hex head, recessed cap screws. Secure cover with screws, washers, and rubber gasket seals.
- ³ Set casting at proper grade using one of the adjustment slots. Remove bolts upon completion of paving.

FIGURE 6010.601 SHEET 1 OF 1

		REVISION
		3 04-21-15
FIGURE 6010.601	STANDARD ROAD PLAN	SW-601
		SHEET 1 of 1
<small>REVISIONS: Minor revision to depict adjustability of TYPE B and TYPE D casting. Modified circle note 3.</small>		
 SUDAS DIRECTOR		 DESIGN METHODS ENGINEER
CASTINGS FOR SANITARY SEWER MANHOLES		