

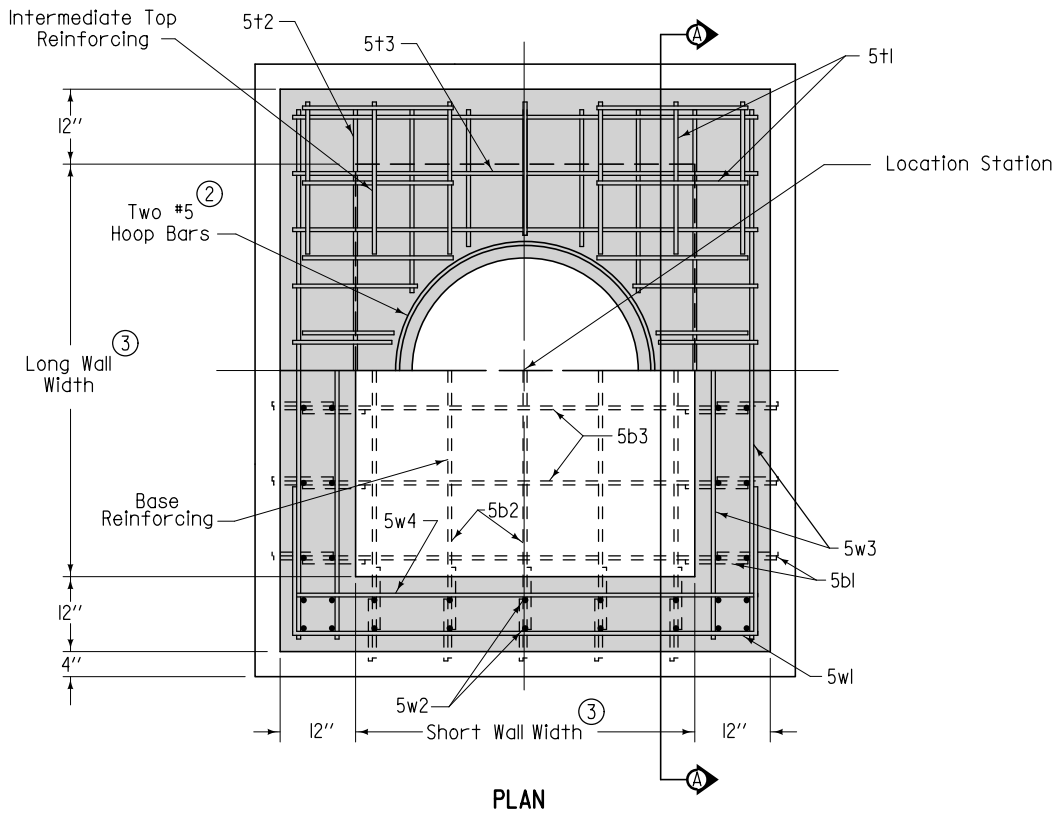
Adjacent walls may have different widths based upon pipe configuration, but structure must be rectangular.

- ① Cast-in-place base shown. If base is precast integral with walls, the footprint of the base is not required to extend beyond the outer edge of the walls.
- ② Provide two #5 hoop bars at intermediate top opening and at all pipe openings.
- ③ Wall widths vary with pipe diameter and range from 4 feet minimum to 12 feet maximum. Provide 12 inches of wall width (minimum) each side of pipe opening.
- ④ 12 inch minimum wall height above all pipe openings.

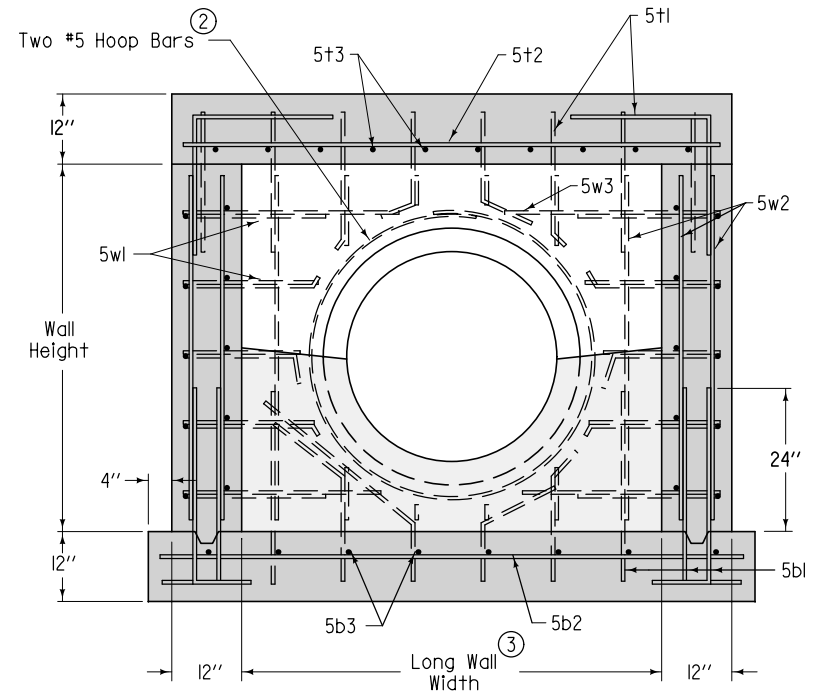
TYPICAL SECTION

FIGURE 6010.304 SHEET 1 OF 2

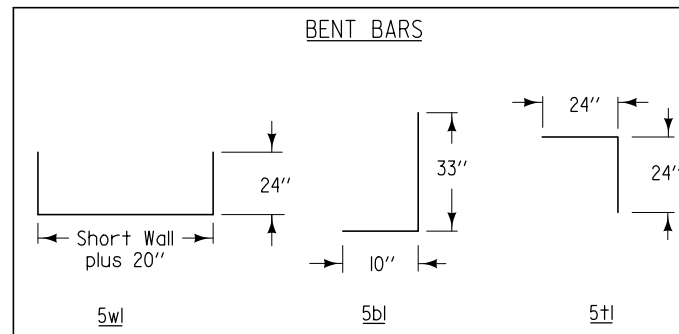
SUDAS Iowa Department of Transportation	REVISION	1	04-17-12
	FIGURE 6010.304	STANDARD ROAD PLAN	SW-304
REVISIONS: Modified note 3 on sheet 2.			SHEET 1 of 2
<i>Paul D. Wiegand</i> SUDAS DIRECTOR		<i>Deanna Marfield</i> DESIGN METHODS ENGINEER	
RECTANGULAR BASE/ CIRCULAR TOP SANITARY SEWER MANHOLE			



- ② Provide two #5 hoop bars at intermediate top opening and at all pipe openings.
- ③ Wall widths vary with pipe diameter and range from 4 feet minimum to 12 feet maximum. Provide 12 inches of wall opening (minimum) each side of pipe opening.



REINFORCING BAR LIST					
Mark	Size	Location	Shape	Length	Spacing
5+1	5	Top	L	48"	12"
5+2	5	Top	—	Long Wall plus 20"	9"
5+3	5	Top	—	Short Wall plus 20"	9"
5+4	5	Top	—	8"	12"
5bl	5	Base	L	43"	12"
5b2	5	Base	—	Long Wall plus 26"	12"
5b3	5	Base	—	Short Wall plus 26"	12"
5wl	5	Wall	U	Short Wall plus 68"	12"
5w2	5	Wall	—	Wall Height minus 4"	12"
5w3	5	Wall	—	Long Wall plus 20"	12"
5w4	5	Wall	—	Short Wall plus 20"	12"



SECTION A-A

SUDAS Iowa Department of Transportation	REVISION 1 04-17-12
	FIGURE 6010.304 STANDARD ROAD PLAN SW-304 SHEET 2 of 2

REVISIONS: Modified note 3 on sheet 2.

Paul D. Weigand
 SUDAS DIRECTOR

Deanna Marjuff
 DESIGN METHODS ENGINEER

**RECTANGULAR BASE/
 CIRCULAR TOP
 SANITARY SEWER MANHOLE**