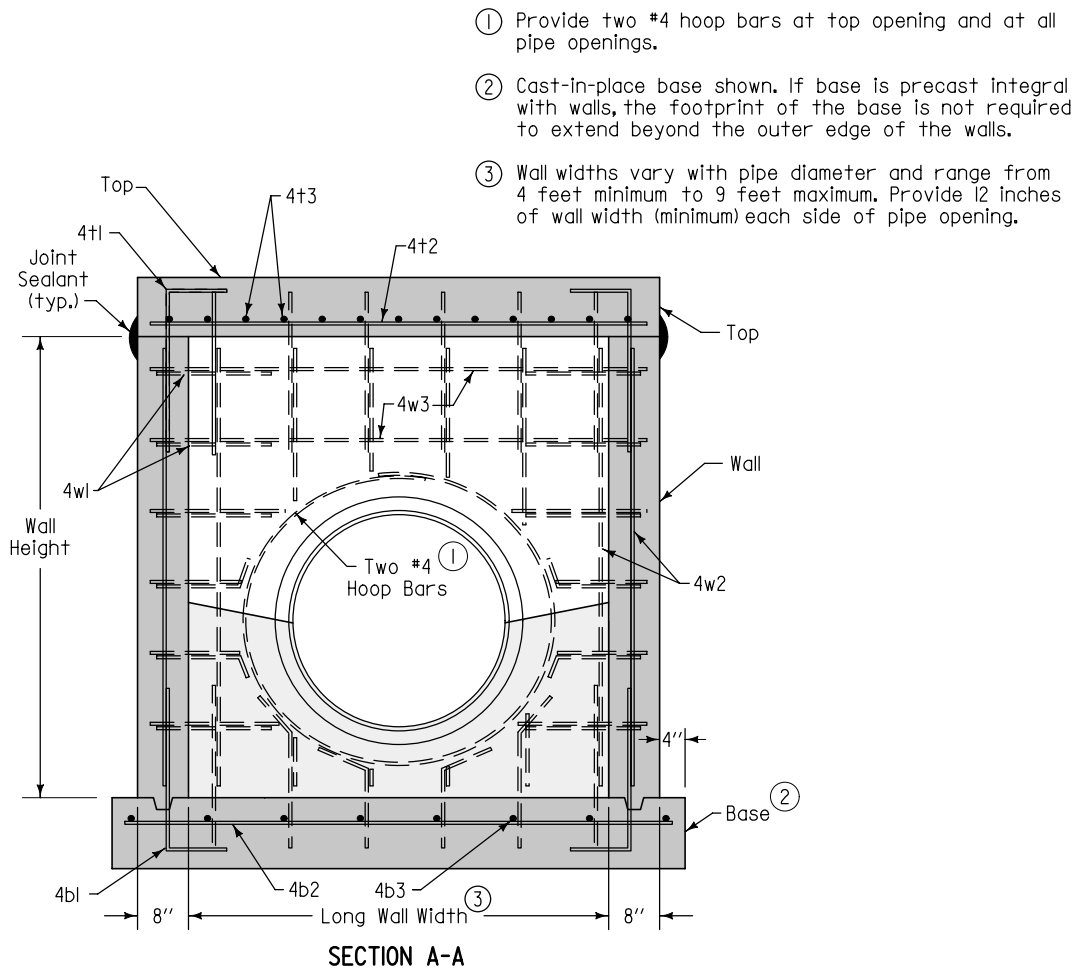
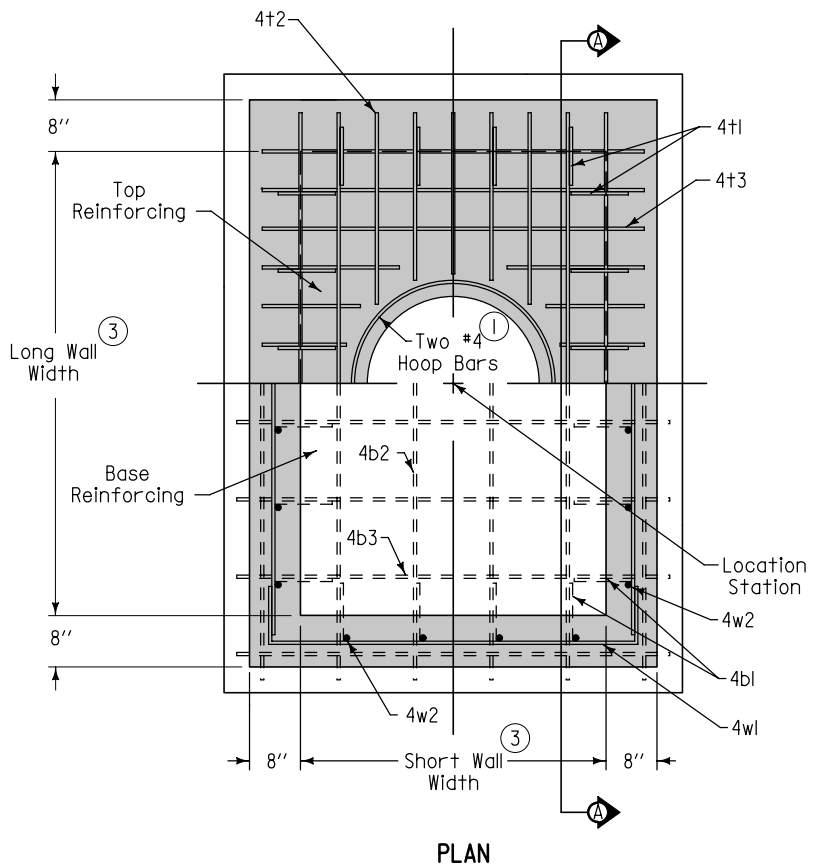


TYPICAL SECTION

Adjacent walls may have different widths based upon pipe configuration, but structure must be rectangular.

- ① Provide two #4 hoop bars at top opening and at all pipe openings.
- ② Cast-in-place base shown. If base is precast integral with walls, the footprint of the base is not required to extend beyond the outer edge of the walls.
- ③ Wall widths vary with pipe diameter and range from 4 feet minimum to 9 feet maximum. Provide 12 inches of wall width (minimum) each side of pipe opening.
- ④ 12 inch minimum wall height above all pipe openings.

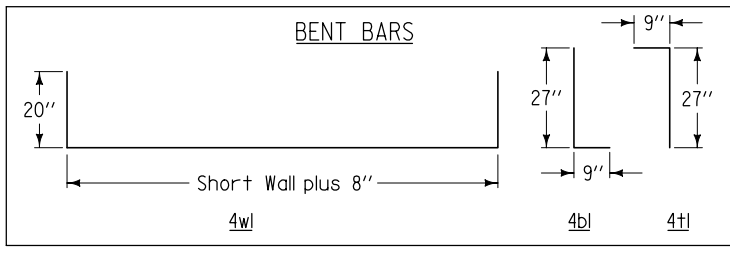
SUDAS	Iowa Department of Transportation	REVISION	
		NEW	04-21-09
FIGURE 6010.302	STANDARD ROAD PLAN	SW-302	
		SHEET 1 of 2	
REVISIONS: New. Replaces SUDAS Type "E" Manhole.			
 SUDAS DIRECTOR		 DESIGN METHODS ENGINEER	
RECTANGULAR SANITARY SEWER MANHOLE			



- ① Provide two #4 hoop bars at top opening and at all pipe openings.
- ② Cast-in-place base shown. If base is precast integral with walls, the footprint of the base is not required to extend beyond the outer edge of the walls.
- ③ Wall widths vary with pipe diameter and range from 4 feet minimum to 9 feet maximum. Provide 12 inches of wall width (minimum) each side of pipe opening.

FIGURE 6010.302 SHEET 2 OF 2

REINFORCING BAR LIST					
Mark	Size	Location	Shape	Length	Spacing
4b1	4	Base	└	36"	12"
4b2	4	Base	—	Long Wall plus 18"	12"
4b3	4	Base	—	Short Wall plus 18"	12"
4t1	4	Top	┌	36"	12"
4t2	4	Top	—	Long Wall plus 12"	6"
4t3	4	Top	—	Short Wall plus 12"	6"
4w1	4	Wall	┌└	Short Wall plus 48"	12"
4w2	4	Wall	—	Wall Height minus 4"	12"
4w3	4	Wall	—	Long Wall plus 12"	12"



		REVISION
		NEW 04-21-09
FIGURE 6010.302	STANDARD ROAD PLAN	SW-302
REVISIONS: New. Replaces SUDAS Type "E" Manhole.		
SUDAS DIRECTOR		DESIGN METHODS ENGINEER
RECTANGULAR SANITARY SEWER MANHOLE		