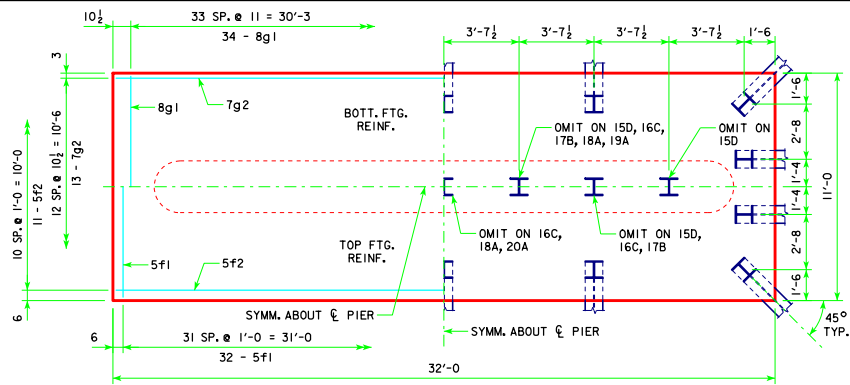
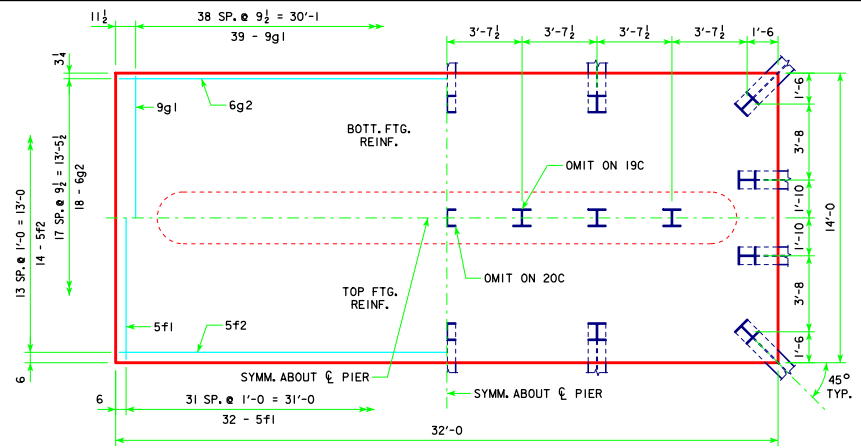


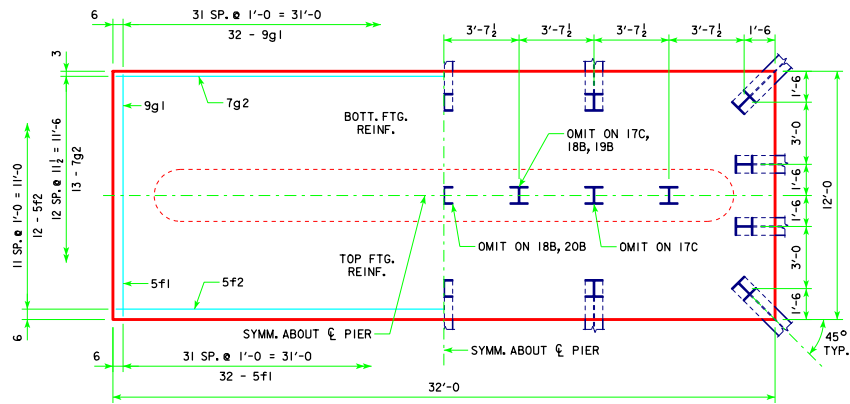
REVISED 05-13 - REVISION FOR LRFD PILE DESIGN.



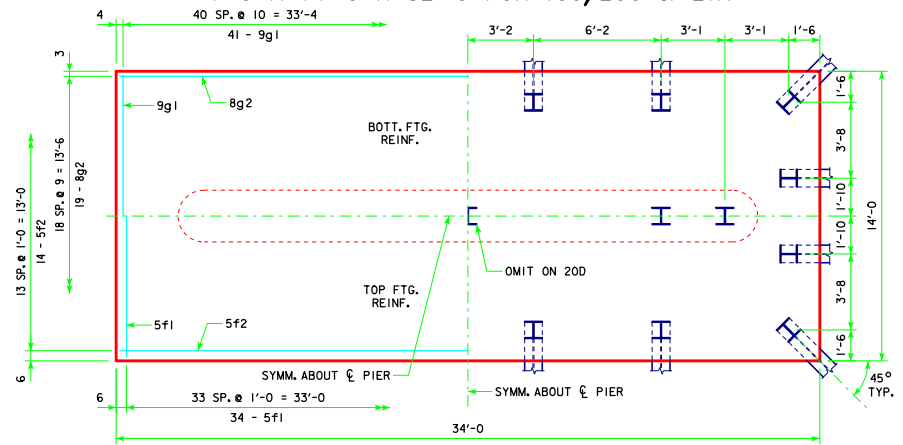
4'-0" x 11'-0" x 32'-0" FOR 15D, 16C, 17B, 18A, 19A & 20A



4'-0" x 14'-0" x 32'-0" FOR 19C, 20C & 21A



4'-0" x 12'-0" x 32'-0" FOR 17C, 18B, 19B & 20B



4'-0" x 14'-0" x 34'-0" FOR 20D & 21B

NOTE:
SEE SHEET RS40-161-10 FOR FOOTING NOTES.

05-13 LATEST REVISION DATE <i>Thomas E. McQuinn</i> APPROVED BY BRIDGE ENGINEER	
	STANDARD DESIGN - 40' ROADWAY, 3 SPAN BRIDGES ROLLED STEEL BEAM BRIDGES JUNE, 2010
TEE PIER-HPI0x57 SRL-2 STEEL PILE FOOTINGS 45° SKEW - SHEET 3	RS40-163-10