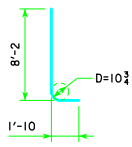


TYPICAL SECTION



d2

NOTE: D = PIN DIAMETER. DIMENSIONS ARE OUT TO OUT.

NOTE: THE REINFORCING STEEL QUANTITY IS TO BE INCLUDED ON THE SUMMARY QUANTITIES SHEET IN THE PLAN.

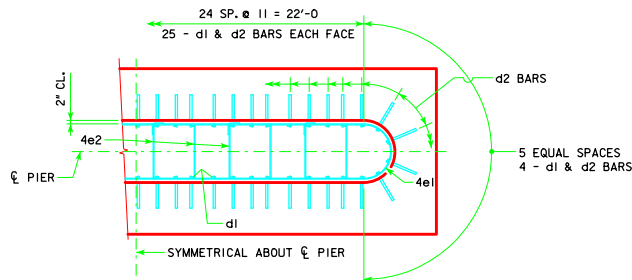
NOTE: THE CONCRETE QUANTITY IS TO BE INCLUDED ON THE SUMMARY QUANTITIES SHEET IN THE PLAN.

NOTE: THE PILE TYPE IS TO BE INCLUDED ON THE SUMMARY QUANTITIES SHEET IN THE PLAN.

H IN FT.	℄ - ℄ ABUT. BRG.	PILING (HP10x57)		FOOTING SIZE
		NO. & LAYOUT	① LRF PUI STRENGTH I DES. LOAD (KIPS)	
18 TO 16	201'-4	21A	145	3'-6 x 8' x 31'
	213'-10	22A	141	
	226'-4	23A	144	
	243'-0	24A	143	
21 TO 19	201'-4	22A	140	3'-6 x 8' x 31'
	213'-10	22A	145	
	226'-4	24A	142	
	243'-0	25A	144	
22 TO 24	201'-4	22A	144	3'-6 x 8' x 31'
	213'-10	23A	145	
	226'-4	24A	145	
	243'-0	26A	143	

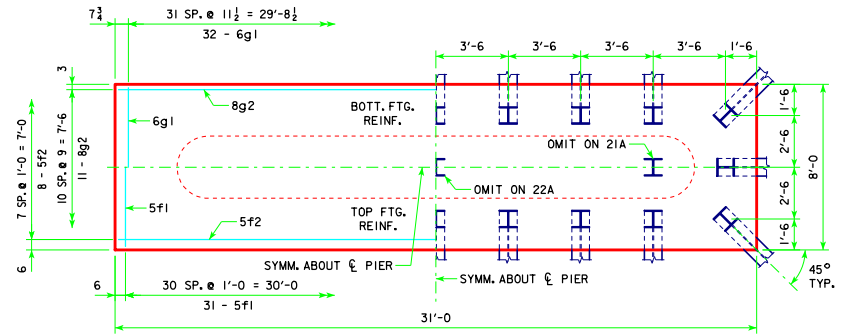
FOOTING SIZE	REINFORCING STEEL (ONE FOOTING)			TOTAL WEIGHT (LB.)	STRUCTURAL CONCRETE (CY)
	BAR NO., SIZE & SPACING	LENGTH	WEIGHT (LB.)		
3'-6 x 8' x 31'	d2 58 - #10 AS SHOWN	10'-0	2496	4269	32.1
	f1 31 - #5 @ 1'-0	7'-8	248		
	f2 8 - #5 @ 1'-0	30'-8	256		
	g1 32 - #6 @ 0'-11 1/2	7'-8	368		
	g2 11 - #8 @ 0'-9	30'-8	901		

① NOTE: PUI, STRENGTH I DESIGN LOAD (KIPS) IS NOT THE VALUE USED IN THE FIELD FOR DRIVING PILES.

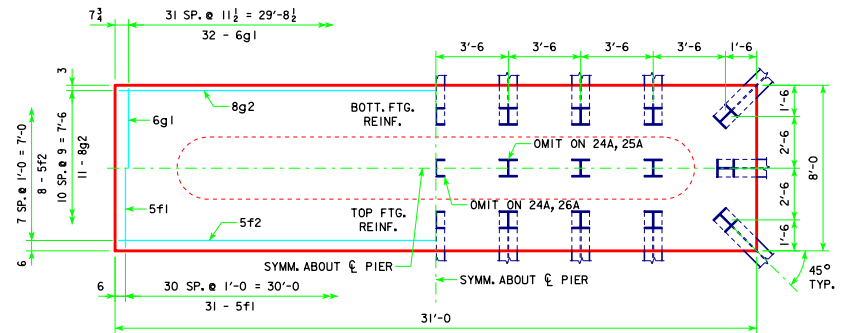


d2 LAYOUT

(SEE SECTION A-A ON SHEET H40-81-14.)



3'-6 x 8'-0 x 31'-0 FOR 21A, 22A & 23A



3'-6 x 8'-0 x 31'-0 FOR 24A, 25A & 26A

FOOTING NOTES:

THESE FOOTINGS ARE DESIGNED AND DETAILED TO BE USED WITH THE CAP AND COLUMN DETAILS OF THE TEE PIERS AS SHOWN ON SHEET H40-81-14.

BATTER PILES IN EXTERIOR ROWS 1:4 IN THE DIRECTION SHOWN.

STEEL PILING USED AS POINT BEARING SHALL HAVE A MINIMUM DISTANCE OF APPROXIMATELY 10 FEET FROM BOTTOM OF FOOTING TO TOP OF BEARING ROCK. THE PILE LAYOUTS ARE SUCH THAT THE DISTANCE CENTER TO CENTER OF ADJACENT PILING SHALL NOT EXCEED 8'-0.

PIER PILES SHALL BE DRIVEN TO VALUES SHOWN IN DESIGN PLANS.

LATEST REVISION DATE	 APPROVED BY BRIDGE ENGINEER	 STANDARD DESIGN - 40' ROADWAY, THREE SPAN BRIDGE <b>PRETENSIONED PRESTRESSED CONCRETE BEAM BRIDGES</b> SEPTEMBER, 2014	<b>H40-83-14</b>	
		<b>TEE PIER-HP10x57 SRL-1 STEEL PILE FOOTINGS</b>		
		45° SKEW - H=16' TO 24'		