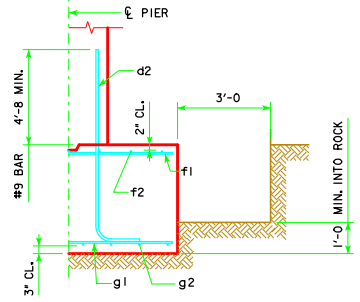
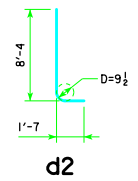


REVISED 04-12 - EXCAVATION LIMIT WAS CHANGED TO 3'-0".

H IN FT.	CL - ABUT. BRG.	CL	FOOTING SIZE
25 TO 27	138'-10"	151'-4"	4' x 8' x 25'
	163'-10"	176'-4"	4' x 8' x 27'
	188'-10"	201'-4"	4' x 9' x 27'
	213'-10"	226'-4"	4' x 9' x 29'
	243'-0"		4' x 10' x 29'
28 TO 30	138'-10"	151'-4"	4' x 8' x 27'
	163'-10"	176'-4"	4' x 9' x 27'
	188'-10"	201'-4"	4' x 9' x 27'
	213'-10"	226'-4"	4' x 9' x 29'
	243'-0"		4' x 10' x 29'
31 TO 33	138'-10"	151'-4"	4' x 8' x 27'
	163'-10"	176'-4"	4' x 9' x 27'
	188'-10"	201'-4"	4' x 9' x 29'
	213'-10"	226'-4"	4' x 10' x 29'
	243'-0"		4' x 10' x 29'
34 TO 36	138'-10"	151'-4"	4' x 8' x 27'
	163'-10"	176'-4"	4' x 9' x 27'
	188'-10"	201'-4"	4' x 9' x 29'
	213'-10"	226'-4"	4' x 10' x 29'
	243'-0"		4' x 10' x 29'
37 TO 40	138'-10"	151'-4"	4' x 8' x 27'
	163'-10"	176'-4"	4' x 9' x 27'
	188'-10"	201'-4"	4' x 9' x 29'
	213'-10"	226'-4"	4' x 10' x 29'
	243'-0"		4' x 10' x 29'

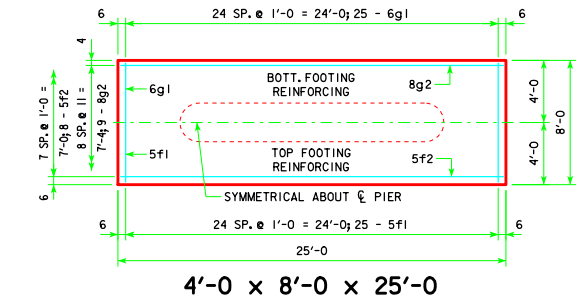


TYPICAL SECTION

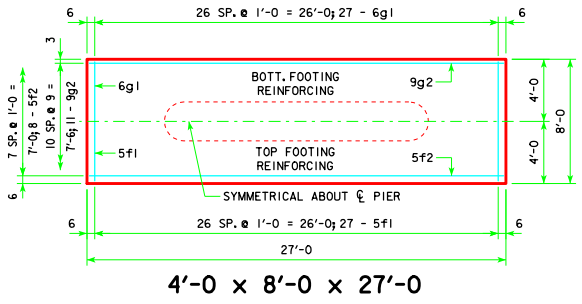


d2
NOTE: D = PIN DIAMETER.
DIMENSIONS ARE OUT TO OUT.

FOOTING SIZE	REINFORCING STEEL (ONE FOOTING)				TOTAL WEIGHT (L.B.)	STRUCTURAL CONCRETE (CY)
	BAR	NO., SIZE & SPACING	LENGTH	WEIGHT (L.B.)		
4' x 8' x 25'	d2	44 - #9 AS SHOWN	9'-11"	1484	2771	29.6
	f1	25 - #5 @ 1'-0"	7'-8"	200		
	f2	8 - #5 @ 1'-0"	24'-8"	206		
	g1	25 - #6 @ 1'-0"	7'-8"	288		
	g2	9 - #8 @ 0'-11"	24'-8"	593		
4' x 8' x 27'	d2	44 - #9 AS SHOWN	9'-11"	1484	3231	32.0
	f1	27 - #5 @ 1'-0"	7'-8"	216		
	f2	8 - #5 @ 1'-0"	26'-8"	223		
	g1	27 - #6 @ 1'-0"	7'-8"	311		
	g2	11 - #9 @ 0'-9"	26'-8"	997		
4' x 9' x 27'	d2	44 - #9 AS SHOWN	9'-11"	1484	3603	36.0
	f1	27 - #5 @ 1'-0"	8'-8"	244		
	f2	9 - #5 @ 1'-0"	26'-8"	250		
	g1	27 - #7 @ 1'-0"	8'-8"	478		
	g2	10 - #10 @ 0'-11"	26'-8"	1147		
4' x 9' x 29'	d2	44 - #9 AS SHOWN	9'-11"	1484	4133	38.7
	f1	29 - #5 @ 1'-0"	8'-8"	262		
	f2	9 - #5 @ 1'-0"	28'-8"	269		
	g1	29 - #7 @ 1'-0"	8'-8"	514		
	g2	13 - #10 @ 0'-8"	28'-8"	1604		
4' x 10' x 29'	d2	44 - #9 AS SHOWN	9'-11"	1484	4331	43.0
	f1	29 - #5 @ 1'-0"	9'-8"	292		
	f2	10 - #5 @ 1'-0"	28'-8"	299		
	g1	33 - #7 @ 0'-10 1/2"	9'-8"	652		
	g2	13 - #10 @ 0'-9 1/2"	28'-8"	1604		



4'-0 x 8'-0 x 25'-0

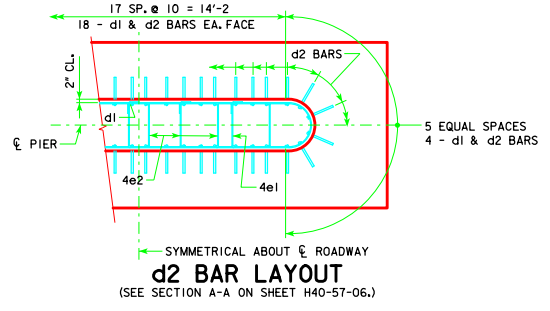


4'-0 x 8'-0 x 27'-0

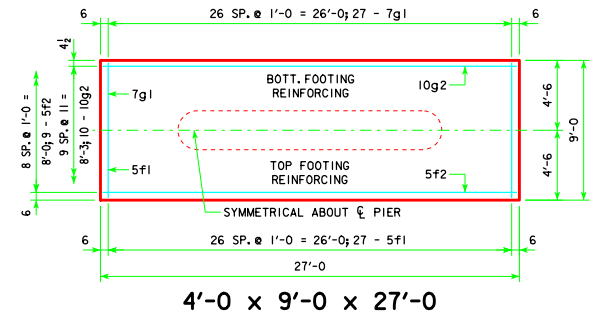
FOOTING NOTES:

THESE SPREAD FOOTINGS ARE DESIGNED AND DETAILED TO BE USED WITH THE CAP AND COLUMN DETAILS OF THE TEE PIERS AS SHOWN ON SHEET H40-57-06.

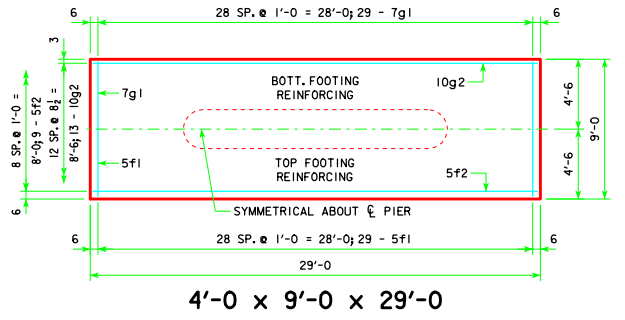
THESE SPREAD FOOTINGS SHALL EXTEND AT LEAST 6 INCHES INTO SUITABLE FOUNDATION ROCK AND THE LAST 6 INCHES OF ROCK EXCAVATION SHALL BE TO NEAT LINES OF MASONRY. THE FOUNDATION ROCK SHALL HAVE A MINIMUM LRFD NOMINAL BEARING RESISTANCE OF 30 kips PER SQUARE FOOT (ALLOWABLE BEARING VALUE OF AT LEAST 5 TONS PER SQUARE FOOT).



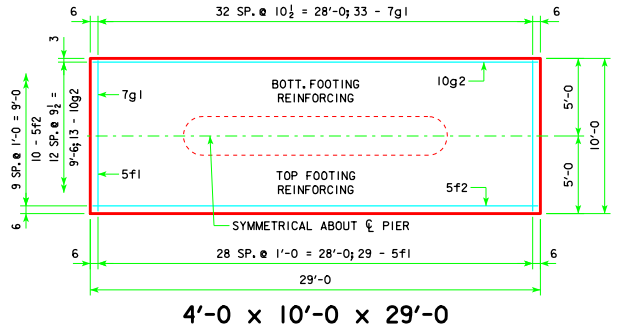
d2 BAR LAYOUT
(SEE SECTION A-A ON SHEET H40-57-06.)



4'-0 x 9'-0 x 27'-0



4'-0 x 9'-0 x 29'-0



4'-0 x 10'-0 x 29'-0

LATEST REVISION DATE 04-12 APPROVED BY BRIDGE ENGINEER 	 STANDARD DESIGN - 40' ROADWAY, THREE SPAN BRIDGE PRETENSIONED PRESTRESSED CONCRETE BEAM BRIDGES AUGUST, 2009	
	TEE PIER - SPREAD FOOTINGS 0° SKEW - H=25' TO 40'	H40-64-06