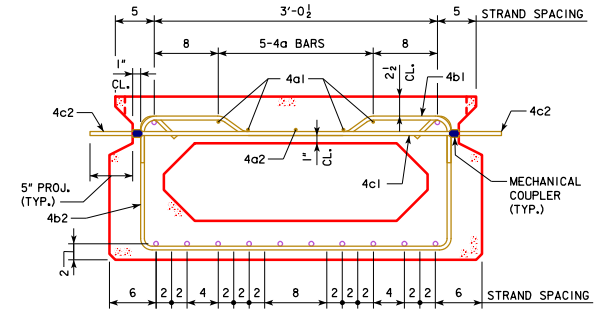
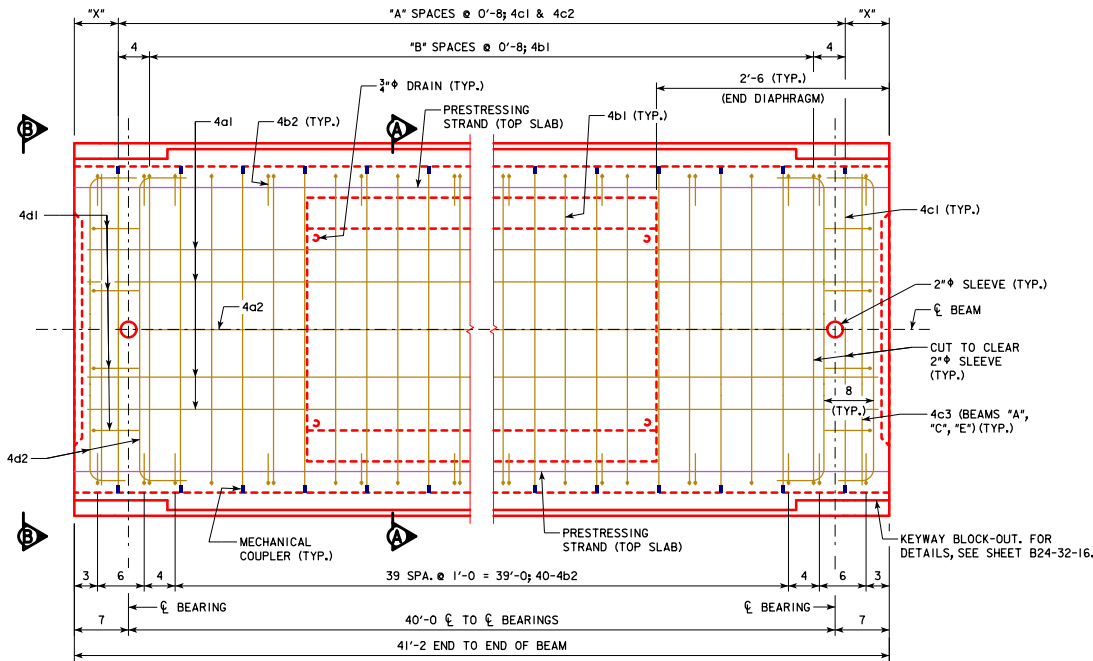


ELEVATION
(KEYWAY NOT SHOWN FOR CLARITY)



SECTION A-A

NOTE:
OMIT KEYWAY, MECHANICAL COUPLERS, AND 4c2 BARS ON EXTERIOR FACE OF EXTERIOR BEAMS.

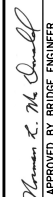



PLAN
(INTERIOR BEAM SHOWN, EXTERIOR BEAM SIMILAR)
(PRESTRESSING STRANDS IN BOTTOM SLAB AND 4c2 BARS NOT SHOWN FOR CLARITY)

TABLE OF DIMENSION DATA			
BEAM LINE	"X" (INCHES)	"A" (SPACES)	"B" (SPACES)
A	7	60	59
B	3	61	60
C	7	60	59
D	3	61	60
E	7	60	59
F	3	61	60

NOTE:
FOR BEAM LINE DESIGNATIONS, SEE SHEET B24-06-16.

NOTES:
FOR VIEW B-B, SEE SHEET B24-34-16.
FOR BEAM CHAMFER DETAILS, SEE SHEET B24-33-16.

LATEST REVISION DATE	 APPROVED BY BRIDGE ENGINEER	 STANDARD DESIGN - 24'-0 ROADWAY, SINGLE SPAN CONCRETE BOX BEAM BRIDGES	B24-38-16
		DECEMBER, 2016	
		21" x 48" x 40'-0 PPCBB DETAILS 0° SKEW	