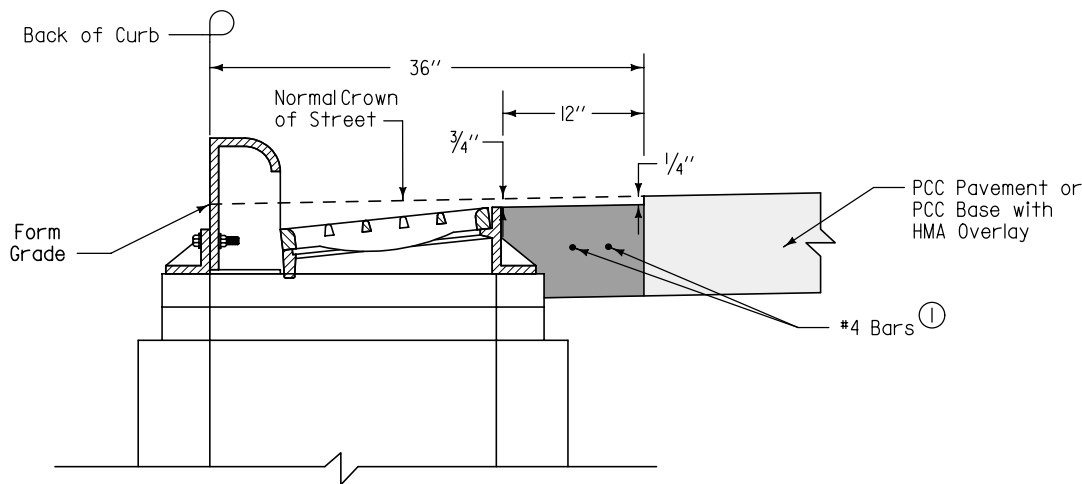


**BOXOUT IN PCC PAVEMENT AND PCC BASE WITH HMA OVERLAY**

Transverse joint spacing on new concrete pavement is controlled by the intake boxout. Adjust adjacent joint spacing as required to accommodate boxouts.

For retrofit intakes, match existing concrete pavement joints. Stop any transverse pavement joints that do not conform to the minimum spacing requirements at the edge of the boxout.

① Center bars vertically within slab.

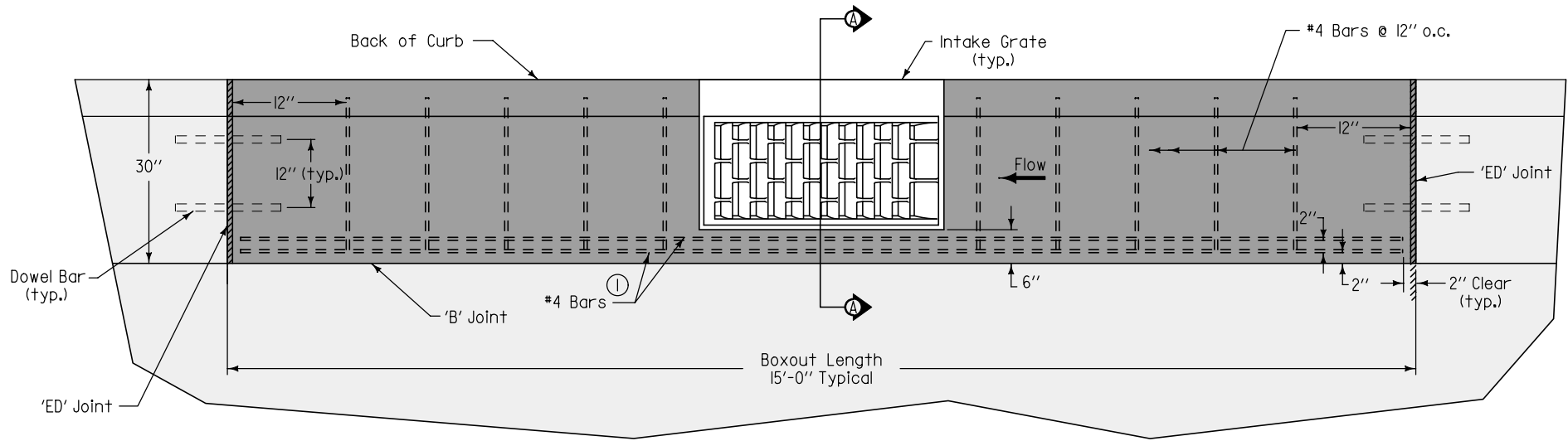


**SECTION A-A**

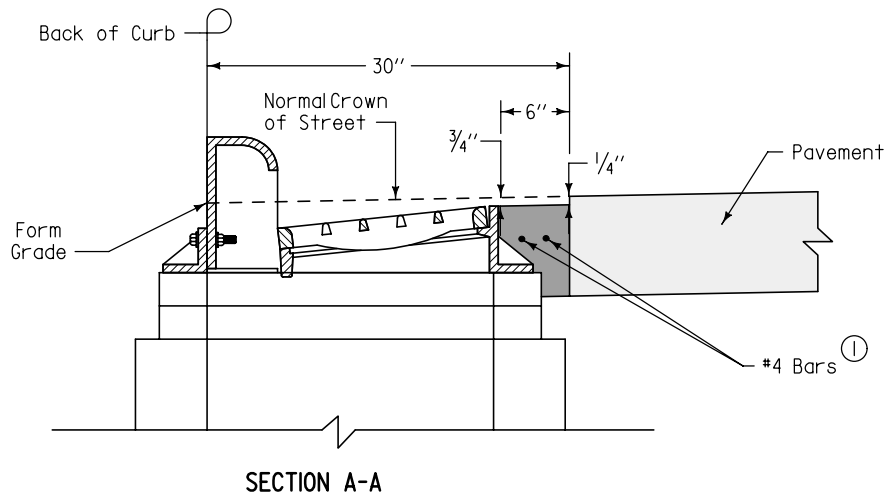
FIGURE 6010.514 SHEET 1 OF 3

SUDAS	Iowa Department of Transportation	REVISION
		NEW 04-21-09
<b>FIGURE 6010.514</b>	<b>STANDARD ROAD PLAN</b>	<b>SW-514</b>
		SHEET 1 of 3
REVISIONS: New. Replaces SUDAS Figure 6030.16.		
SUDAS DIRECTOR		DESIGN METHODS ENGINEER

**BOXOUTS FOR  
GRATE INTAKES**



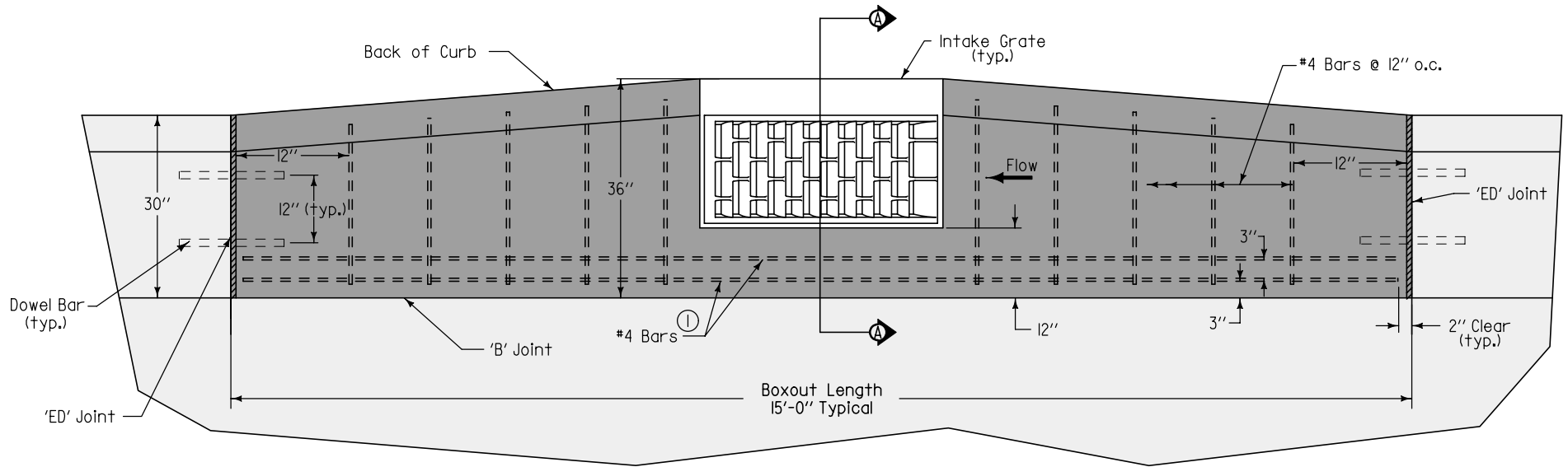
BOXOUT IN PCC CURB AND GUTTER



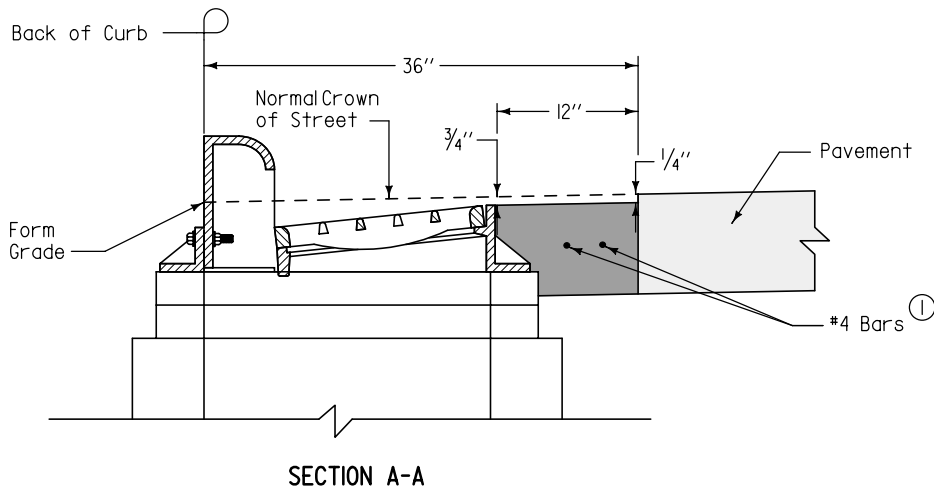
① Center bars vertically within slab.

FIGURE 6010.514 SHEET 2 OF 3

		REVISION
		NEW 04-21-09
<b>FIGURE 6010.514</b>	<b>STANDARD ROAD PLAN</b>	<b>SW-514</b>
		SHEET 2 of 3
REVISIONS: New. Replaces SUDAS Figure 6030.16.		
SUDAS DIRECTOR		DESIGN METHODS ENGINEER
<b>BOXOUTS FOR GRATE INTAKES</b>		



ALTERNATE BOXOUT IN PCC CURB AND GUTTER



Transverse joint spacing on new concrete pavement is controlled by the intake boxout. Adjacent joint spacing may need to be field adjusted to fit boxouts.

For retrofit intakes, match existing concrete pavement joints. Stop any transverse pavement joints that do not conform to the minimum spacing requirements at the edge of the boxout.

① Center bars vertically within slab.

FIGURE 6010.514 SHEET 3 OF 3

SUDAS	Iowa Department of Transportation	REVISION
		NEW 04-21-09
<b>FIGURE 6010.514</b>	<b>STANDARD ROAD PLAN</b>	<b>SW-514</b>
		SHEET 3 of 3
REVISIONS: New. Replaces SUDAS Figure 6030.16.		
SUDAS DIRECTOR		DESIGN METHODS ENGINEER
<b>BOXOUTS FOR GRATE INTAKES</b>		