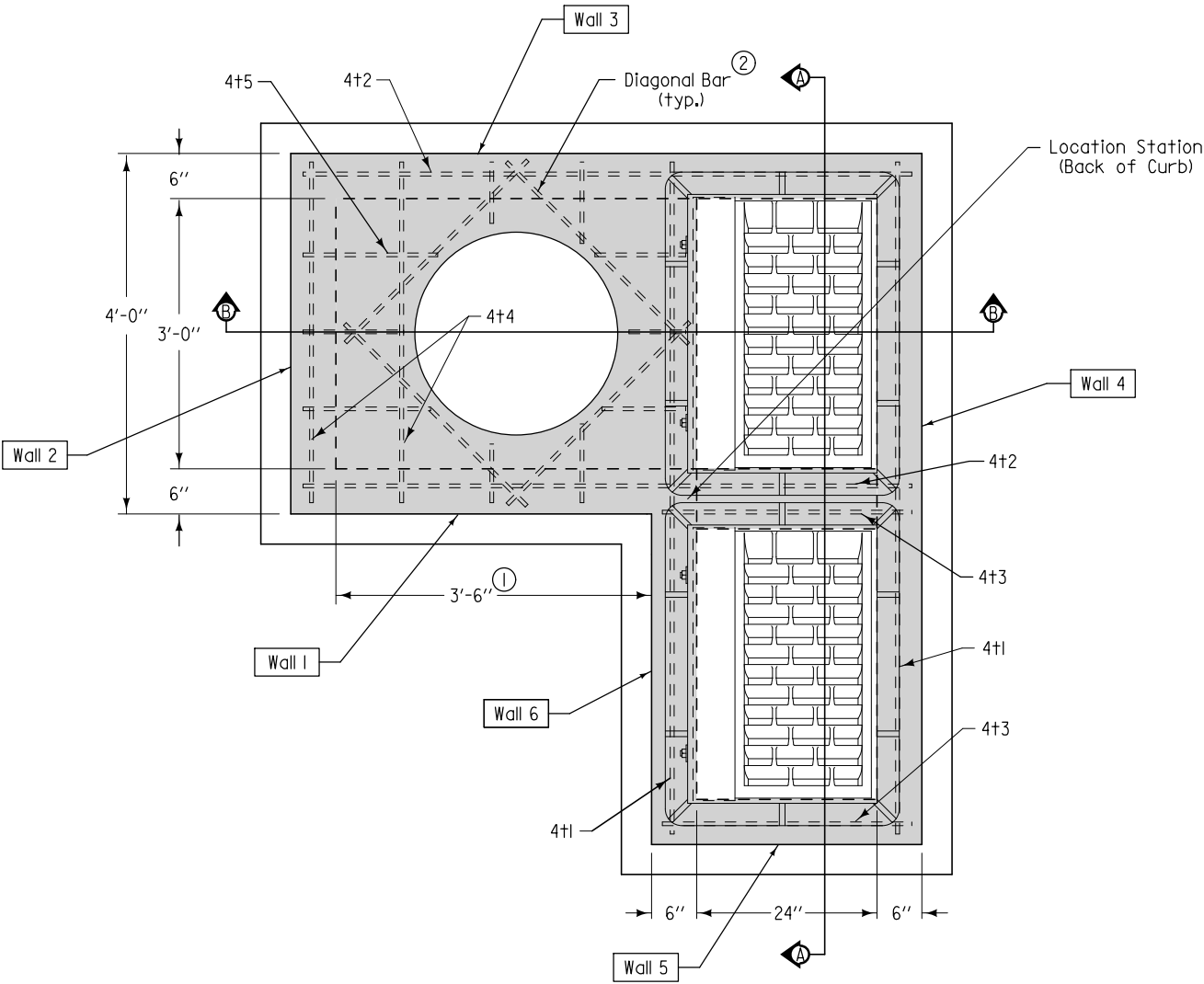


Refer to SW-514 for boxout details.

- ① 36 inch pipe may be used when wall dimension is increased to 4 feet.
- ② Install four #4 diagonal bars at manhole opening and at all pipe openings.

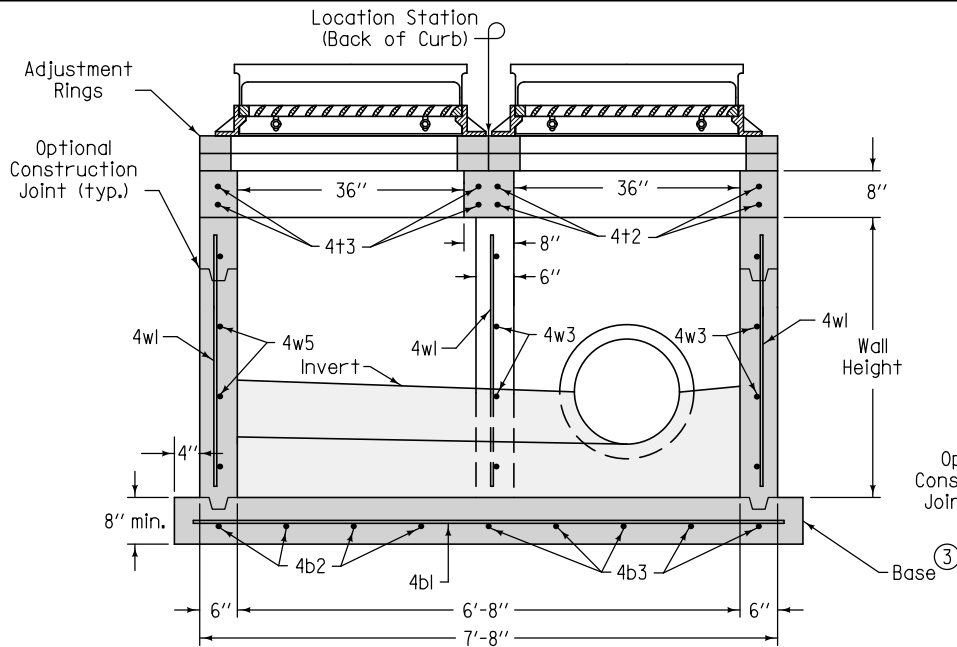


| MAXIMUM PIPE DIAMETERS |           |
|------------------------|-----------|
| Wall                   | Max. Dia. |
| 1                      | 30" ①     |
| 2                      | 24"       |
| 3                      | 36"       |
| 4                      | 48"       |

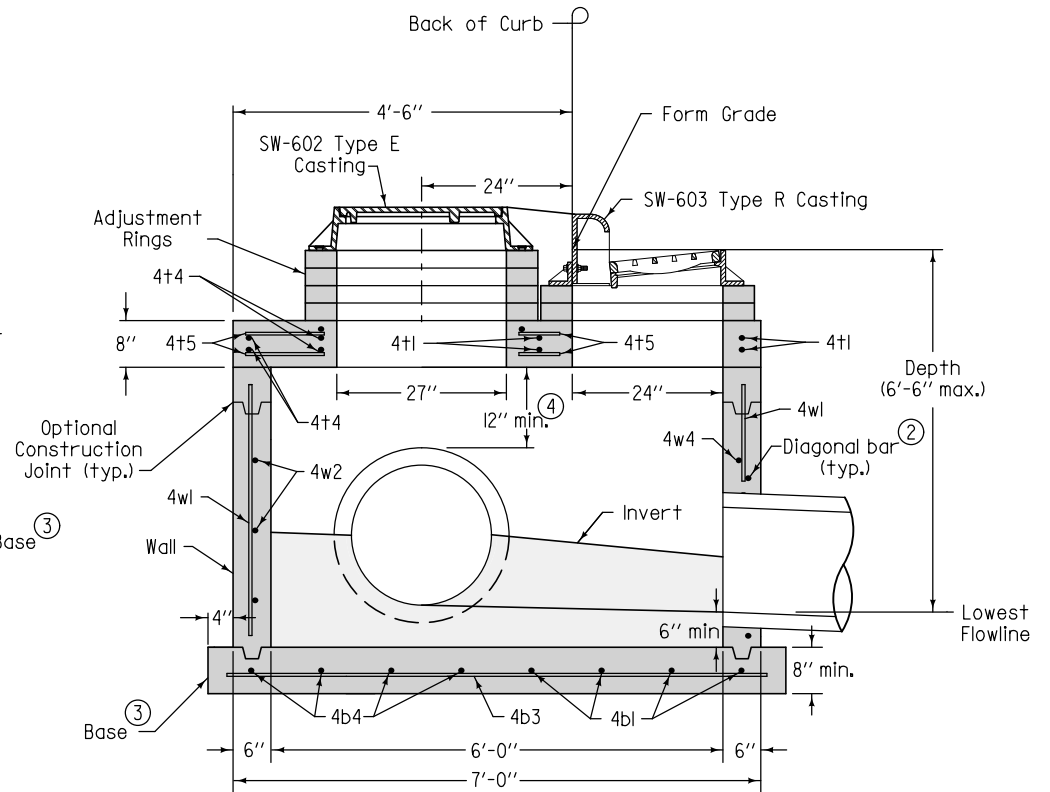
FIGURE 6010.506 SHEET 1 OF 2

PLAN

|   |  |  |
|---|--|--|
|   |  | REVISION   |
|   |  | 1   10-16-12                                     |
| <b>FIGURE 6010.506</b> STANDARD ROAD PLAN   |  | <b>SW-506</b><br>SHEET 1 of 2                    |
| REVISIONS: Added reference to SW-514.       |  |  |
| <i>Paul D. Wigand</i><br>SUDAS DIRECTOR     |  | <i>Deanna Marjoff</i><br>DESIGN METHODS ENGINEER |
| <b>DOUBLE GRATE INTAKE<br/>WITH MANHOLE</b> |  |  |



SECTION A-A



SECTION B-B

REINFORCING BAR LIST

| Mark | Size | Location      | Shape | Count  | Length               | Spacing    |
|------|------|---------------|-------|--------|----------------------|------------|
| 4+1  | 4    | Top           | —     | 4      | 7'-4"                | See Detail |
| 4+2  | 4    | Top           | —     | 4      | 6'-8"                | See Detail |
| 4+3  | 4    | Top           | —     | 4      | 2'-8"                | See Detail |
| 4+4  | 4    | Top           | —     | 8      | 3'-8"                | 12"        |
| 4+5  | 4    | Top           | —     | 6      | 4'-2"                | 12"        |
| 4b1  | 4    | Base          | —     | 4      | 7'-10"               | 12"        |
| 4b2  | 4    | Base          | —     | 4      | 3'-2"                | 12"        |
| 4b3  | 4    | Base          | —     | 5      | 7'-2"                | 12"        |
| 4b4  | 4    | Base          | —     | 4      | 4'-2"                | 12"        |
| 4w1  | 4    | Walls         | —     | 29     | Wall Height minus 4" | 12"        |
| 4w2  | 4    | Wall 2        | —     | Varies | 3'-8"                | 12"        |
| 4w3  | 4    | Walls 1 and 3 | —     | Varies | 6'-8"                | 12"        |
| 4w4  | 4    | Wall 4        | —     | Varies | 7'-4"                | 12"        |
| 4w5  | 4    | Wall 5        | —     | Varies | 2'-8"                | 12"        |
| 4w6  | 4    | Wall 6        | —     | Varies | 3'-10"               | 12"        |

- ② Install four #4 diagonal bars at manhole opening and at all pipe openings.
- ③ Cast-in-place base shown. If base is precast integral with walls, the footprint of base is not required to extend beyond the outer edge of the walls.
- ④ 12 inch minimum wall height above all pipes.

|   |  |                               |
|---|--|-------------------------------|
|   |  | REVISION<br>1   10-16-12      |
|   |  | <b>SW-506</b><br>SHEET 2 OF 2 |
| FIGURE 6010.506 STANDARD ROAD PLAN  |  |                               |
| REVISIONS: Added reference to SW-514.   |  |                               |
| <i>Paul D. Weigand</i> SUDAS DIRECTOR <i>Deanna Marjfield</i> DESIGN METHODS ENGINEER |  |                               |
| <b>DOUBLE GRATE INTAKE<br/>WITH MANHOLE</b>   |  |                               |