

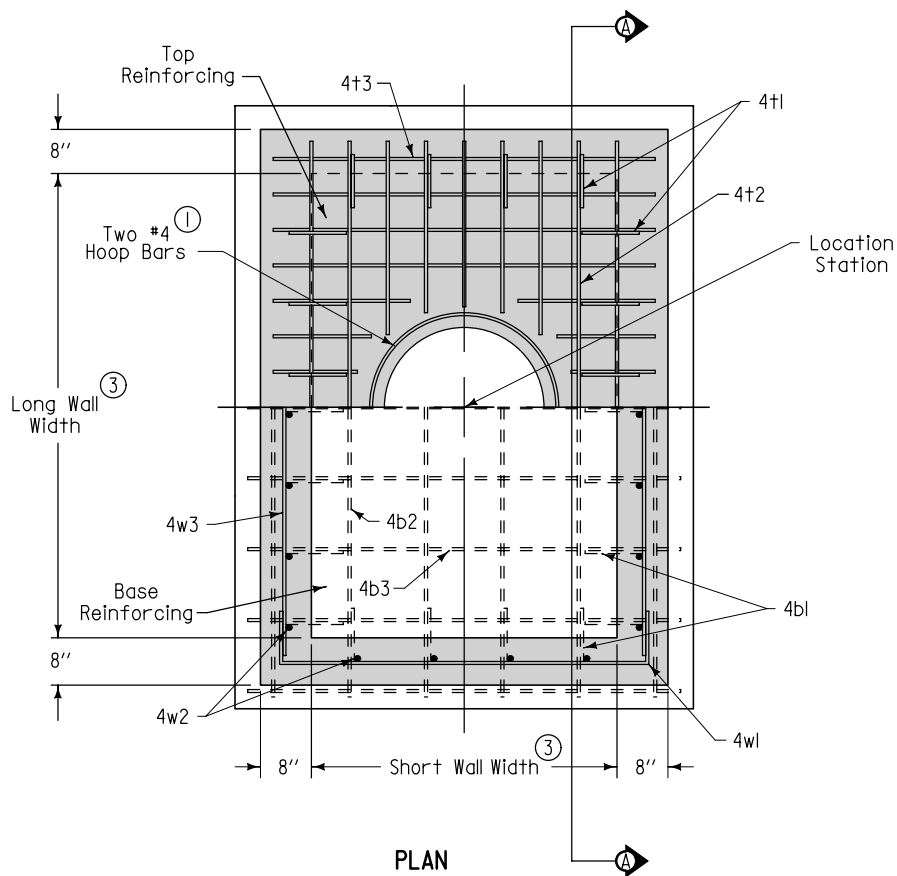
Adjacent walls may have different widths based upon pipe configuration, but structure must be rectangular.

- ① Provide two #4 hoop bars at top opening and at all pipe openings.
- ② Cast-in-place base shown. If base is precast integral with walls, the footprint of the base is not required to extend beyond the outer edge of the walls.
- ③ Wall widths vary with pipe diameter and range from 4 feet minimum to 9 feet maximum. Provide 12 inches of wall width (minimum) each side of pipe opening.
- ④ 12 inch minimum wall height above all pipes.

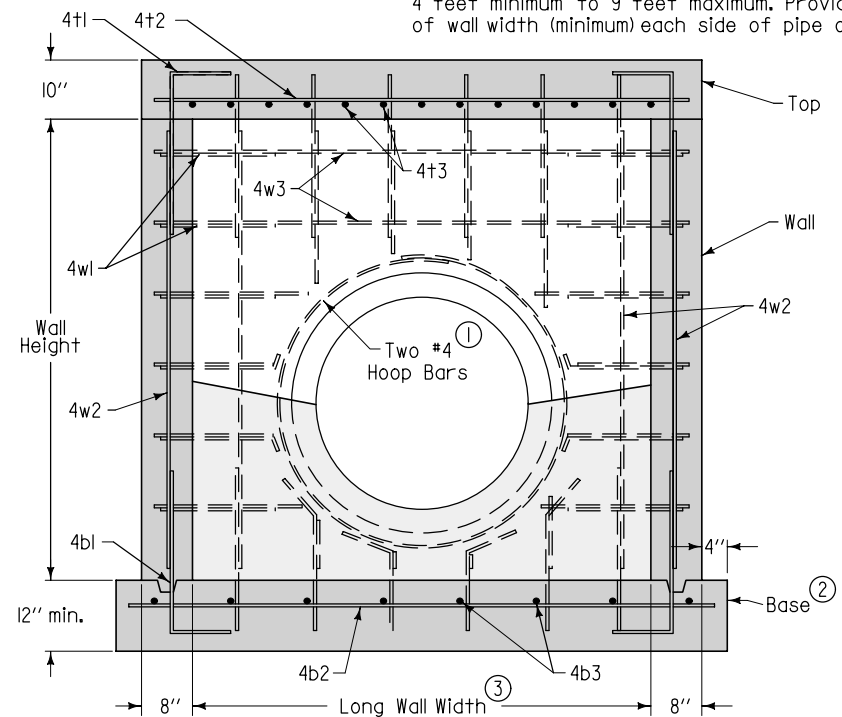
FIGURE 6010.403 SHEET 1 OF 2

TYPICAL SECTION

| | | |
|--|-----------------------------------|-------------------------|
| SUDAS | Iowa Department of Transportation | REVISION |
| | | NEW 04-21-09 |
| FIGURE 6010.403 | STANDARD ROAD PLAN | SW-403 |
| | | SHEET 1 of 2 |
| REVISIONS: New. Replaces SUDAS Type "M-C" Manhole. | | |
| SUDAS DIRECTOR | | DESIGN METHODS ENGINEER |
| DEEP WELL RECTANGULAR STORM SEWER MANHOLE | | |



- ① Provide two #4 hoop bars at top opening and at all pipe openings.
- ② Cast-in-place base shown. If base is precast integral with walls, the footprint of the base is not required to extend beyond the outer edge of walls.
- ③ Wall widths vary with pipe diameter and range from 4 feet minimum to 9 feet maximum. Provide 12 inches of wall width (minimum) each side of pipe opening.



PLAN

SECTION A-A

REINFORCING BAR LIST

| Mark | Size | Location | Shape | Length | Spacing |
|------|------|----------|-------|----------------------|---------|
| 4t1 | 4 | Top | └ | 36" | 12" |
| 4t2 | 4 | Top | — | Long Wall plus 12" | 6" |
| 4t3 | 4 | Top | — | Short Wall plus 12" | 6" |
| 4b1 | 4 | Base | └ | 36" | 12" |
| 4b2 | 4 | Base | — | Long Wall plus 18" | 12" |
| 4b3 | 4 | Base | — | Short Wall plus 18" | 12" |
| 4w1 | 4 | Walls | ┌ | Short Wall plus 48" | 12" |
| 4w2 | 4 | Walls | — | Wall Height minus 4" | 12" |
| 4w3 | 4 | Walls | — | Long Wall plus 12" | 12" |

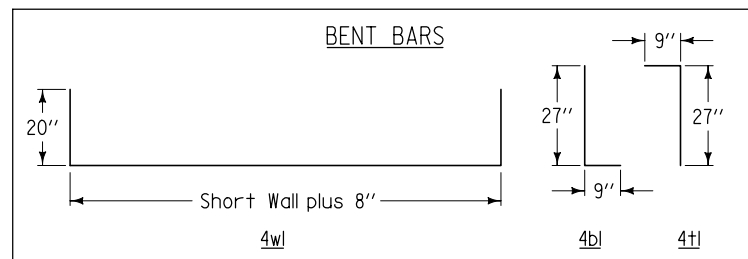


FIGURE 6010.403 SHEET 2 OF 2

| | |
|--|---------------------------|
| SUDAS Iowa Department of Transportation | REVISION |
| | NEW 04-21-09 |
| FIGURE 6010.403 | STANDARD ROAD PLAN |
| SW-403 | |
| SHEET 2 of 2 | |
| REVISIONS: New. Replaces SUDAS Type "M-C" Manhole. | |
| SUDAS DIRECTOR | DESIGN METHODS ENGINEER |
| DEEP WELL RECTANGULAR STORM SEWER MANHOLE | |