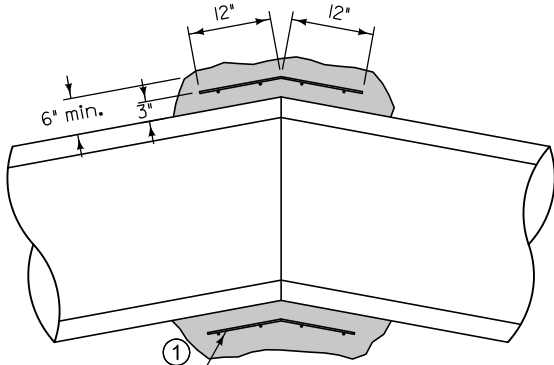


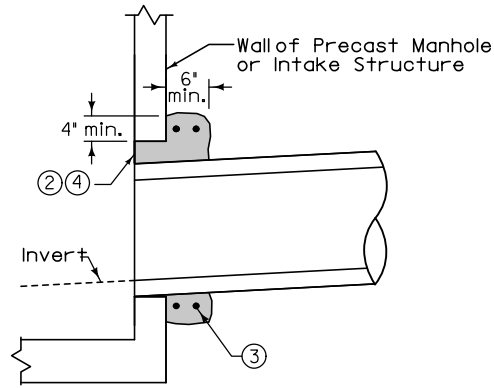
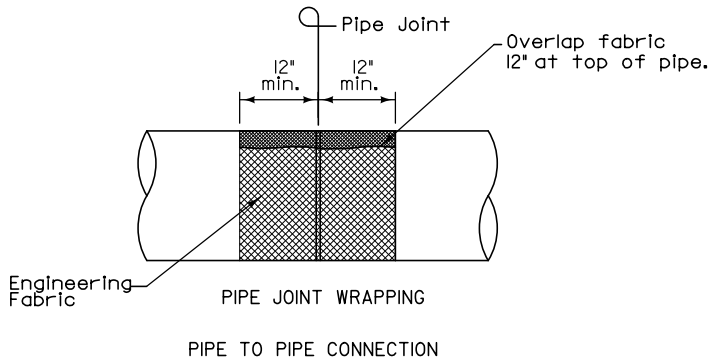
① 6"x6" - w2xw2 (8ga.) Wire Mesh

TYPE PC-1 CONCRETE COLLAR CONNECTION

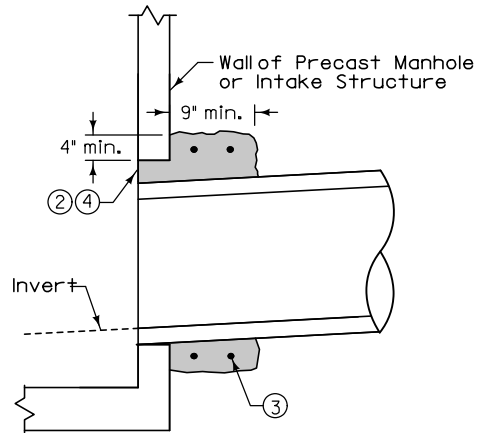


① 6"x6" - w2xw2 (8ga.) Wire Mesh

TYPE PC-2 CONCRETE COLLAR CONNECTION



CONCRETE COLLAR FOR PIPES 12" AND SMALLER



CONCRETE COLLAR FOR PIPES GREATER THAN 12"

PIPE TO STRUCTURE CONNECTION

- ① Lap ends of wire mesh a minimum of 6 inches.
- ② Concrete collar is required when annular space between the outside of the pipe and the wall of the structure is 2 inches or greater.
- ③ Provide two #4 hoop bars in concrete collar. Lap bars a minimum of 6 inches.
- ④ Trowel concrete flush with inside wall of structure.

SUDAS Iowa Department of Transportation	REVISION	1	10-16-12
	FIGURE 4020.211	STANDARD ROAD PLAN	SW-211
REVISIONS: Added pipe to structure connections.			SHEET 1 of 1
Paul D. Weigand <small>SUDAS DIRECTOR</small>		Deanna Mayfield <small>DESIGN METHODS ENGINEER</small>	
<b>SPECIAL PIPE CONNECTION FOR STORM SEWER</b>			