

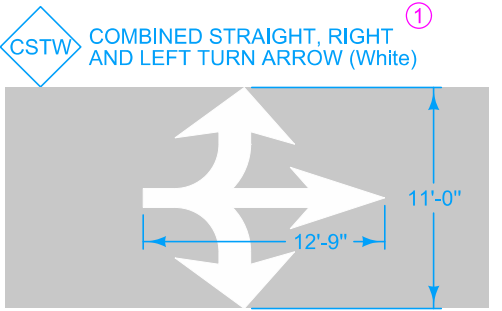
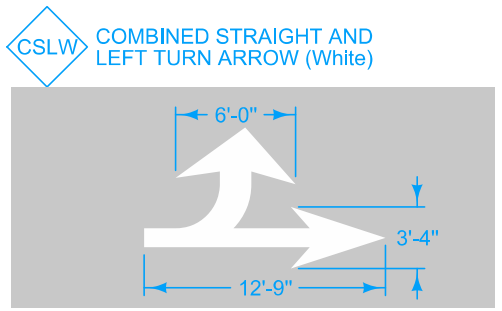
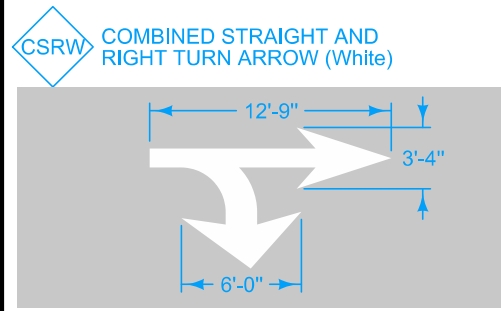
Layouts shown are for typical installations. Drawings are oriented to represent direction of traffic moving from left to right.

Center markings within the lane.

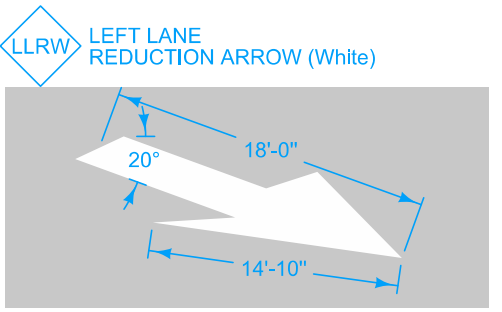
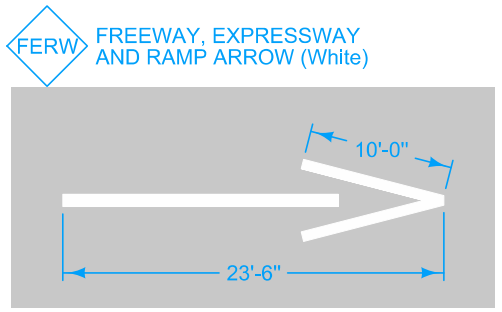
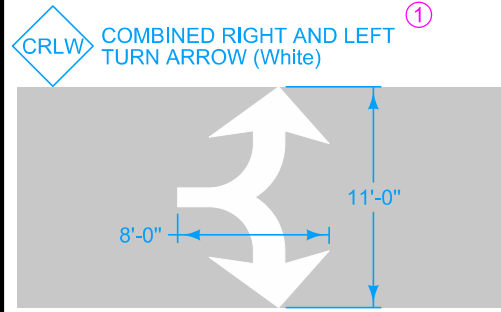
All dimensions shown are nominal. For proper proportion details, see current MUTCD Standard Highway Signs and Markings booklet.

Pavement word, symbol, and arrow markings are to be proportionally scaled to fit within the width of the facility upon which they are applied.

Except for the SCHOOL word marking, all markings are to be no more than one lane in length.

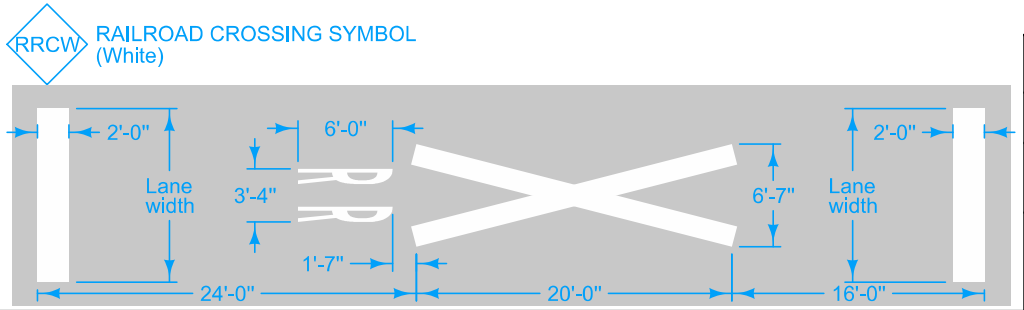
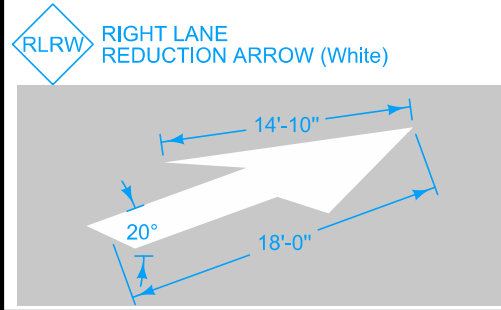


① Add template for Right Turn Arrow (RTAW) to Left Turn Arrow (LTAW) or Combined Straight and Left Turn Arrow (CSLW) to create new templates.



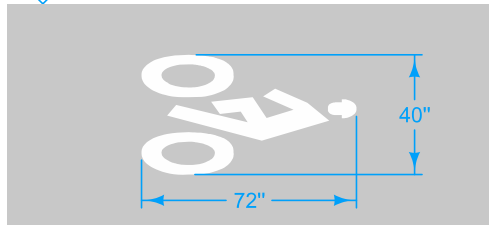
Possible Contract Item:  
Pavement Marking Symbol and Legend Items

Possible Tabulation:  
108-29

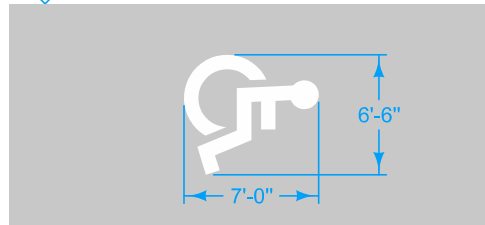


	REVISION
	3 04-21-15
	<b>STANDARD ROAD PLAN</b>
	PM-111
SHEET 1 of 2	
<small>REVISIONS: Added transverse bars and modified dimensions to Railroad Crossing Symbol.</small>	
<i>Brian Smith</i> <small>APPROVED BY DESIGN METHODS ENGINEER</small>	
<b>SYMBOLS AND LEGENDS</b>	

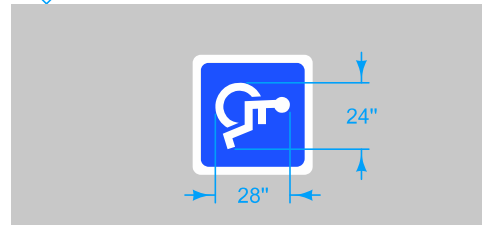
**BLSW** BIKE LANE SYMBOL (White)



**WCSW** WHEELCHAIR SYMBOL (White)

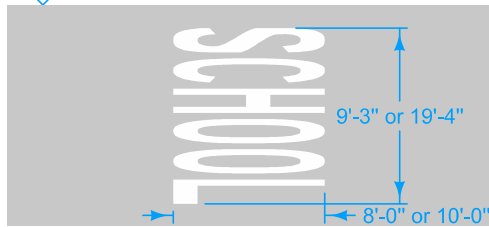


**WPSB** WHEELCHAIR PARKING SYMBOL (Blue)

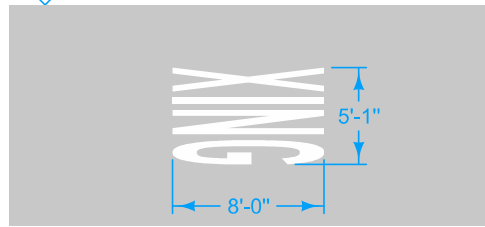


② When placed across one lane, use the smaller dimensions shown. When placed across two lanes, use the larger dimensions shown.

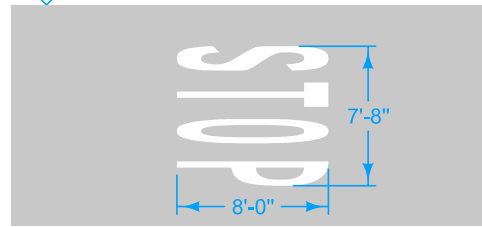
**SCLW** SCHOOL WORD MARKING (White) ②



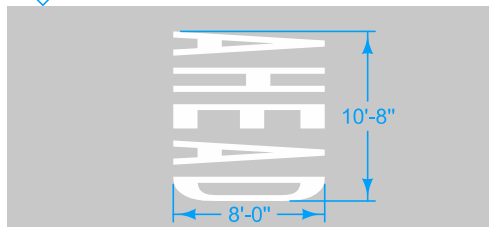
**XNGW** XING WORD MARKING (White)



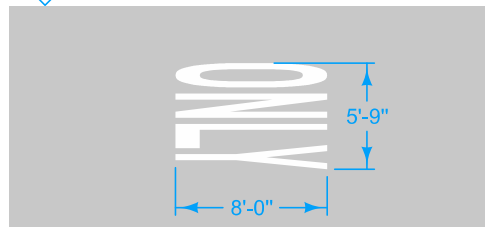
**STPW** STOP WORD MARKING (White)



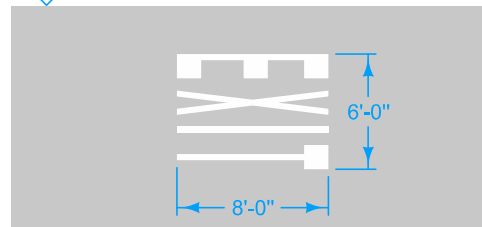
**AHDW** AHEAD WORD MARKING (White)



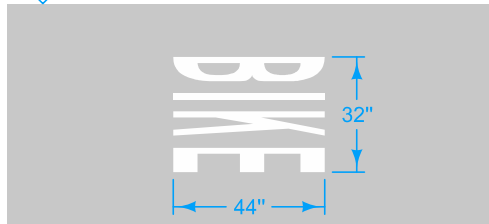
**ONLW** ONLY WORD MARKING (White)



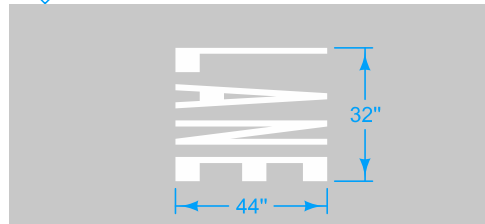
**XITW** EXIT WORD MARKING (White)



**BIKW** BIKE WORD MARKING (White)



**LANW** LANE WORD MARKING (White)



	REVISION
	3   04-21-15
	<b>PM-111</b>
<b>STANDARD ROAD PLAN</b>	SHEET 2 of 2
<small>REVISIONS: Added transverse bars and modified dimensions to Railroad Crossing Symbol.</small>	
<i>Brian Smith</i> <small>APPROVED BY DESIGN METHODS ENGINEER</small>	
<b>SYMBOLS AND LEGENDS</b>	