

PLAN FOR SILT FENCE 7

Install all silt fence using a silt fence machine. Use manual (trench) installation if physical conditions prohibit machine installation.

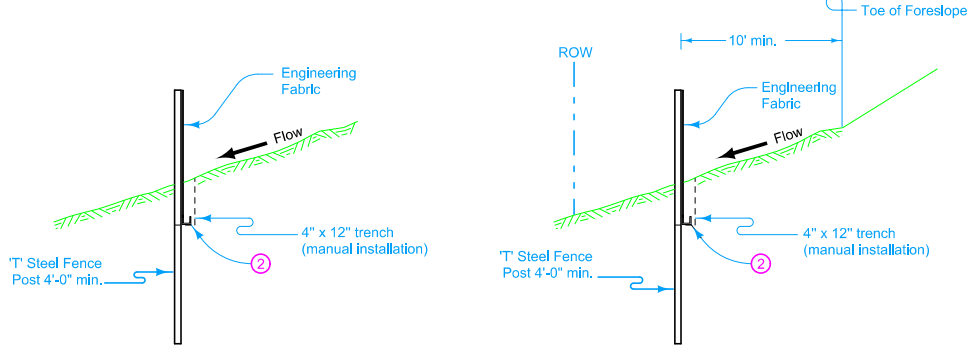
For machine installation, compact by driving over each side of silt fence at least two times with device exerting 60 p.s.i. or greater.

For manual installation, compact with a mechanical or pneumatic tamper.

Place silt fence continuously up to a maximum length of 200 feet. For every segment of silt fence that is placed, flare up the slope the last 20 feet of the segment to contain runoff as shown.

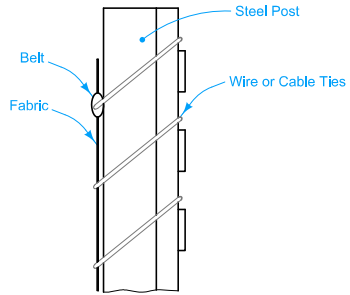
- ① Secure top of engineering fabric to steel posts using cable ties (50 lb.) or wire. See back view attachment to post.
- ② For manual installation only, fold engineering fabric along bottom of trench.
- ③ Embed all posts 28 inches below the ground line.
- ⑦ Refer to Tab. 100-17

SILT FENCE - MACHINE AND MANUAL INSTALLATION

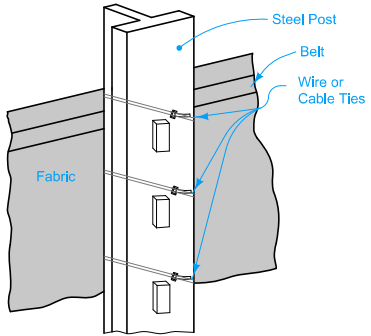


SECTION A-A

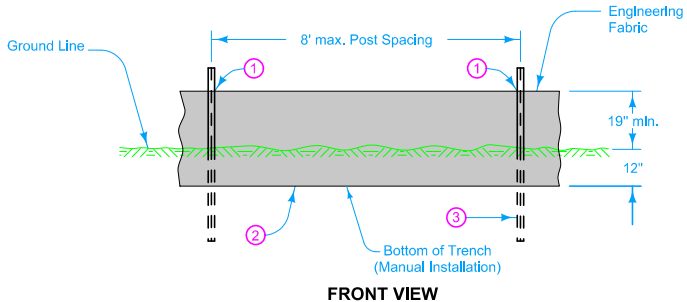
SECTION B-B



**PROFILE VIEW
ATTACHMENT TO POST**



**BACK VIEW
ATTACHMENT TO POST**



FRONT VIEW



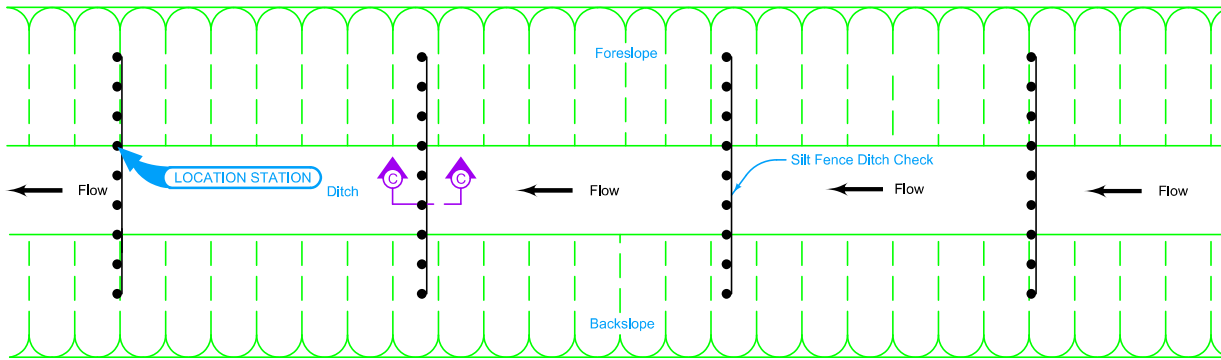
Possible Contract Items:

- Silt Fence
- Silt Fence for Ditch Checks

Possible Tabulations:

- 100-17
- 100-18

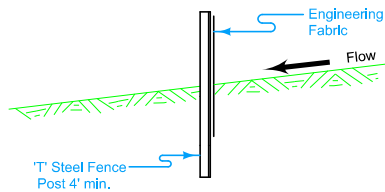
<p>STANDARD ROAD PLAN</p>	REVISION 2 10-18-16
	<p>EC-201</p> SHEET 1 of 3
	REVISIONS: Added TYPE 1, TYPE 2, and TYPE 3 to detail names on Pages 2 and 3. Modified note 5 to remove table. Added notes 6, 7, and 8. Added Designer Info button.
APPROVED BY DESIGN METHODS ENGINEER	
<p>SILT FENCE</p>	



PLAN FOR DITCH CHECK (TYPE 1) ⑧

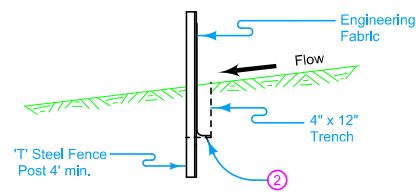
- ① Secure top of engineering fabric to steel posts using cable ties (50 lb.) or wire. See attachment to post.
- ② For manual installation only, fold engineering fabric along bottom of trench.
- ③ Embed all posts 28 inches below the ground line.
- ④ Locate posts at toe of foreslope and toe of backslope and space remaining posts equally.
- ⑤ Minimum end span (in feet) = 2 X Foreslope (H:V).
- ⑥ Minimum end span (in feet) = 2 X Backslope (H:V).
- ⑧ Refer to Tab. 100-18

DITCH CHECK - MACHINE INSTALLATION

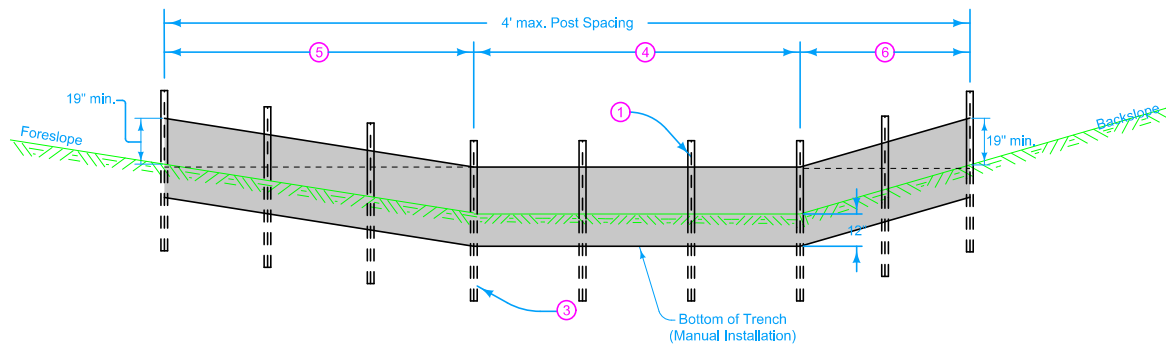


SECTION C-C

DITCH CHECK - MANUAL INSTALLATION



SECTION C-C



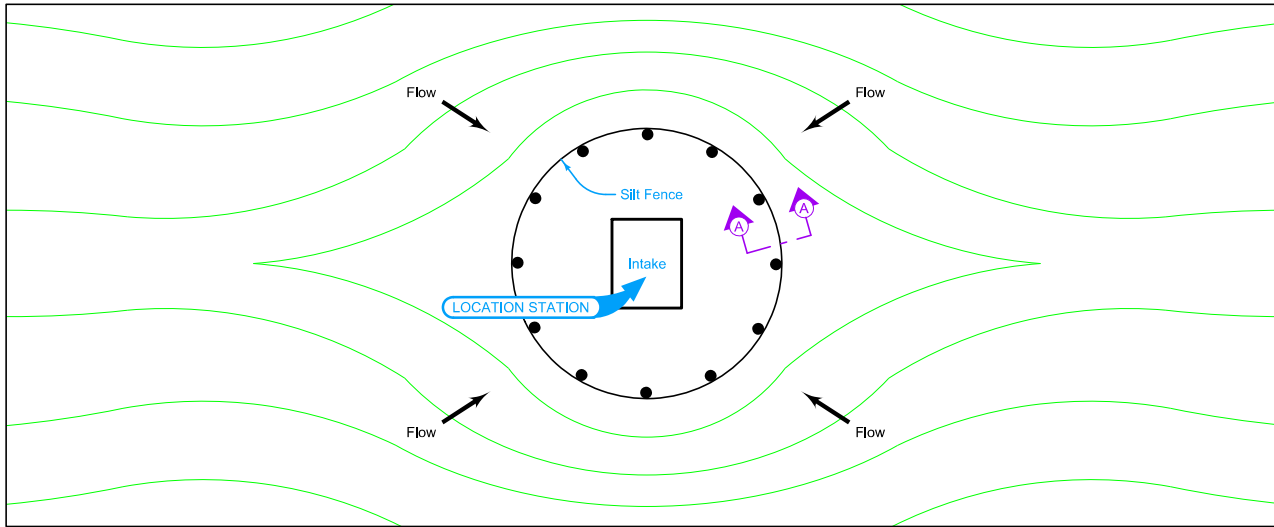
FRONT VIEW

 STANDARD ROAD PLAN	REVISION
	2 10-18-16
	EC-201
SHEET 2 of 3	

REVISIONS: Added TYPE 1 on Page 2. Added TYPES 2 and 3 on Page 3. Modified note 5 and added notes 6, 7, and 8. Removed foreslope table and replaced with note.

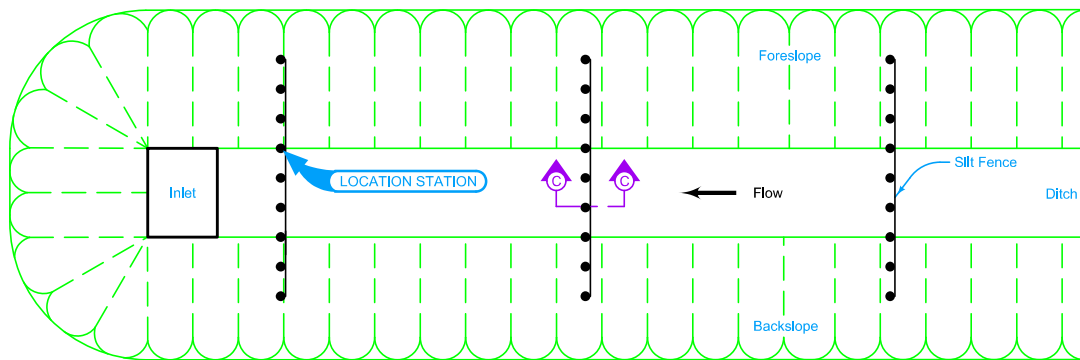
Brian Smith
APPROVED BY DESIGN METHODS ENGINEER

SILT FENCE




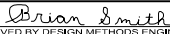
PLAN FOR SILT FENCE AT INTAKE (TYPE 2) ⁸

⁸ Refer to Tab. 100-18



PLAN FOR SILT FENCE DITCH CHECK AT INLET (TYPE 3) ⁸

 Contour Lines

 STANDARD ROAD PLAN	REVISION 2 10-18-16
	EC-201 SHEET 3 of 3
<small>REVISIONS: Added TYPE 1 on Page 2. Added TYPES 2 and 3 on Page 3. Modified note 5 and added notes 6, 7, and 8. Removed foreslope table and replaced with note.</small>	
 <small>APPROVED BY DESIGN METHODS ENGINEER</small>	
SILT FENCE	