

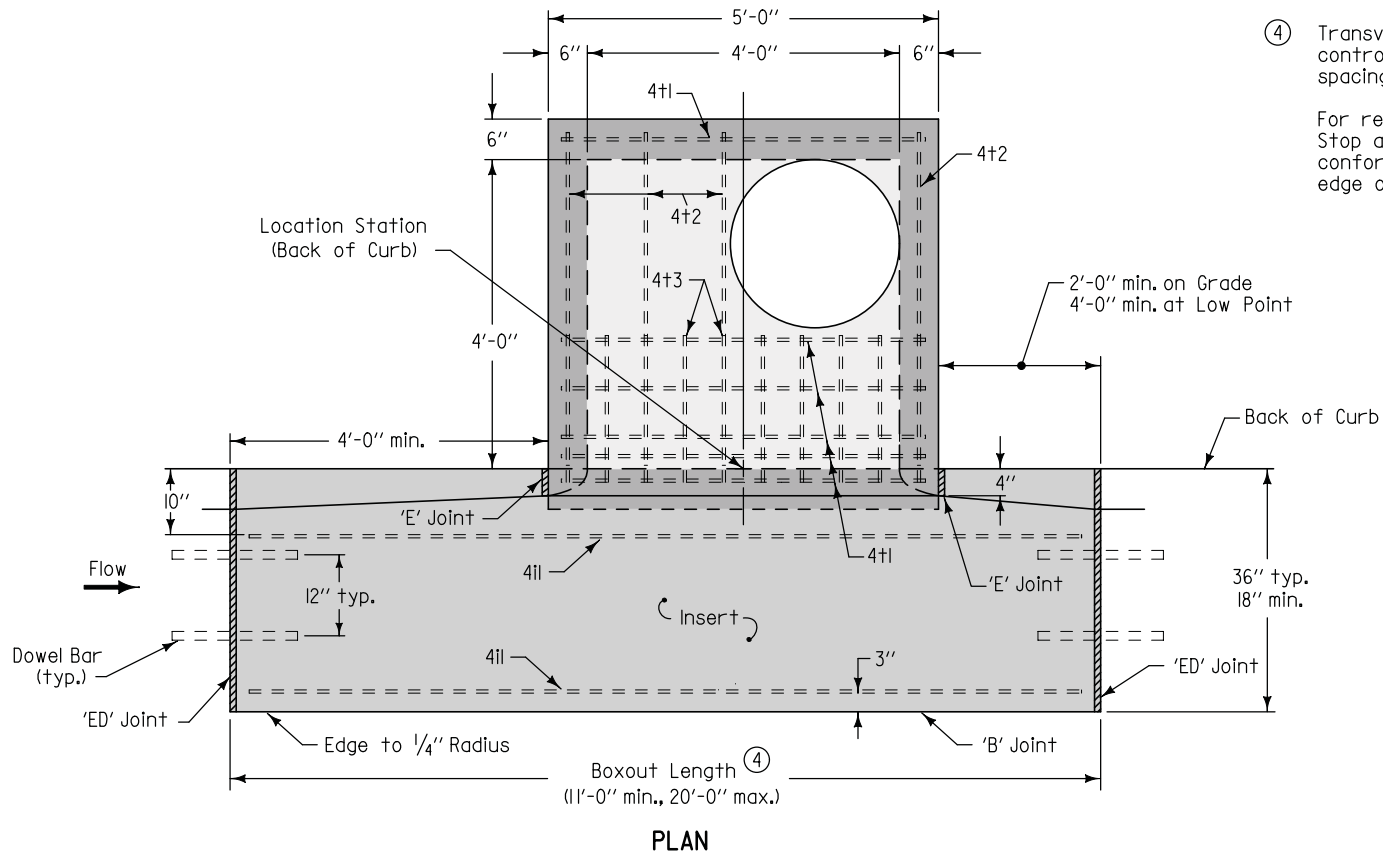
INSERT

- ① Modify dimensions as required to accommodate other curb heights when specified.
- ② Insert shaping may be modified for insert widths less than 36 inches. For an 18-inch insert, reduce dimensions indicated by 1/2 inch.
- ③ 12-inch minimum wall height above all pipes.

TYPICAL SECTION

FIGURE 6010.508 SHEET 1 OF 2

SUDAS	Iowa Department of Transportation	REVISION
		1 10-20-09
FIGURE 6010.508 STANDARD ROAD PLAN		SW-508 SHEET 1 of 2
REVISIONS: Adjusted depth line and shading. Removed minimum dimension. Renamed standard.		
SUDAS DIRECTOR		Deanna Marfield DESIGN METHODS ENGINEER
SINGLE OPEN-THROAT CURB INTAKE, LARGE BOX		



MAXIMUM PIPE DIAMETERS	
Precast Structure	Cast-in-place Structure
30"	36"

Boxout Length ④
(11'-0" min., 20'-0" max.)

PLAN

REINFORCING BAR LIST						
Mark	Size	Location	Shape	Count	Length	Spacing
4t1	4	Top	—	7	4'-8"	See Insert
4t2	4	Top	—	4	4'-6"	12"
4t3	4	Top	—	10	1'-10"	6"
4b1	4	Base	—	6	4'-6"	11"
4b2	4	Base	—	6	4'-6"	11"
4il	4	Insert	—	4	Boxout Length minus 8"	See Plan
4w1	4	Walls	—	16	Wall Height minus 4"	14"
4w2	4	Walls	—	Varies	4'-8"	12"
4w3	4	Walls	—	Varies	4'-8"	12"

FIGURE 6010.508 SHEET 2 OF 2

SUDAS Iowa Department of Transportation	REVISION	1	10-20-09
	FIGURE 6010.508 STANDARD ROAD PLAN REVISIONS: Adjusted depth line and shading. Removed minimum dimension. Renamed standard.	SW-508 SHEET 2 of 2	
SUDAS DIRECTOR	Deanna Marjold DESIGN METHODS ENGINEER		
SINGLE OPEN-THROAT CURB INTAKE, LARGE BOX			