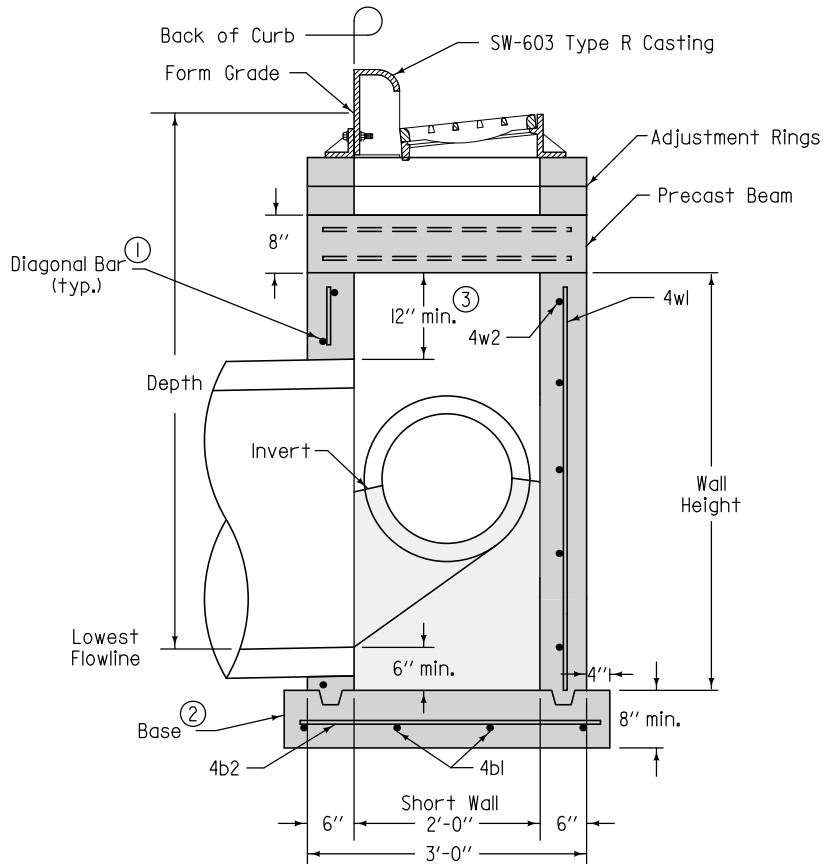
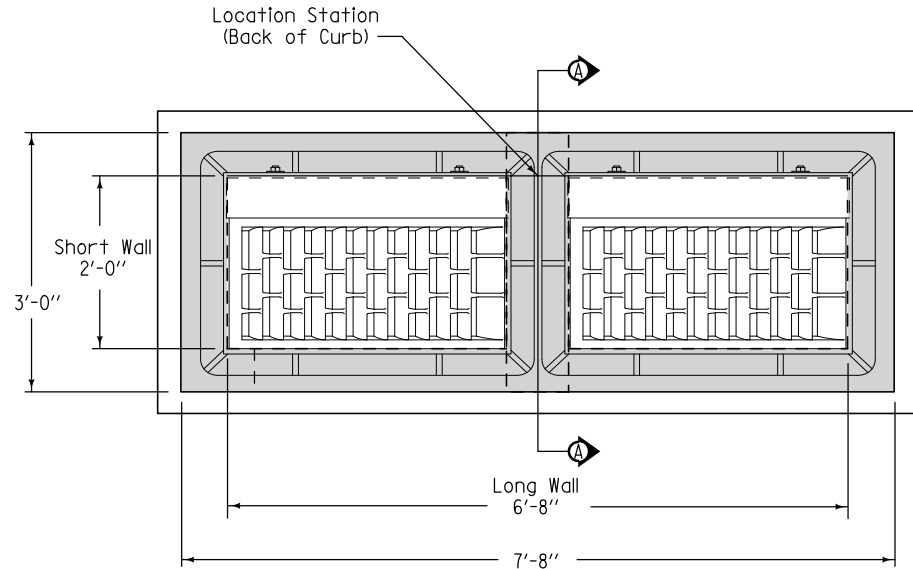


Refer to SW-514 for boxout details.

- ① Install four #4 diagonal bars at all pipe openings.
- ② Cast-in-place base shown. If base is precast integral with walls, the footprint of the base is not required to extend beyond the outer edge of the walls.
- ③ 12 inch minimum wall height above all pipes.



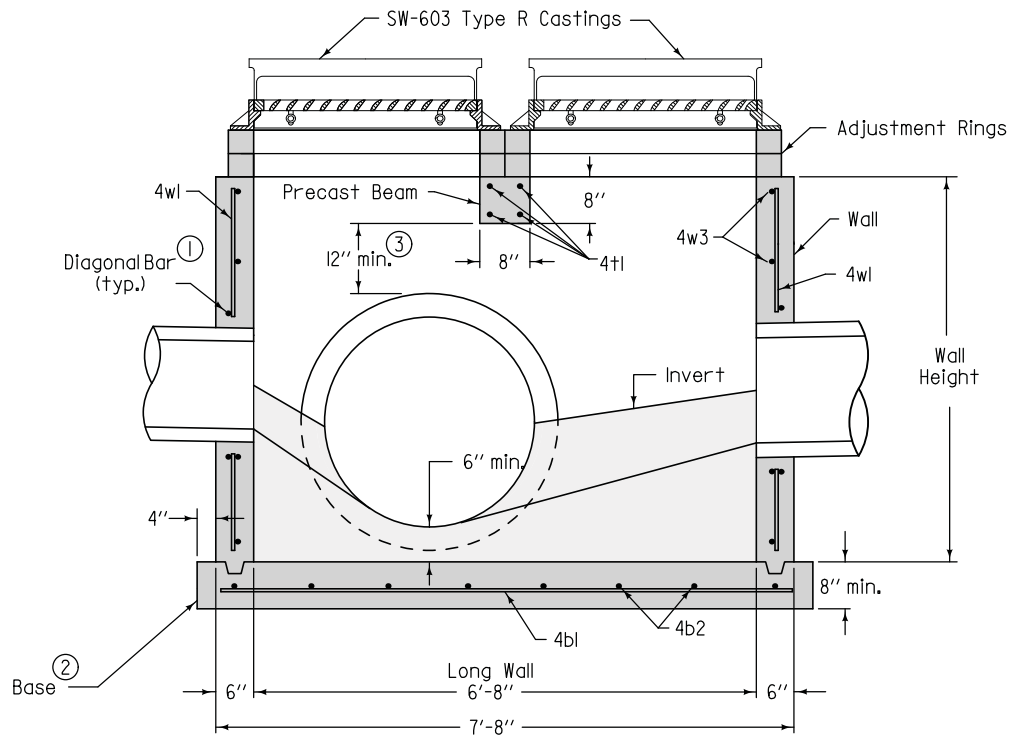
SECTION A-A



PLAN

FIGURE 6010.505 SHEET 1 OF 2

SUDAS	Iowa Department of Transportation	REVISION	
		1	10-16-12
FIGURE 6010.505 STANDARD ROAD PLAN		SW-505 SHEET 1 of 2	
REVISIONS: Added reference to SW-514.			
<i>Paul D. Wigand</i> SUDAS DIRECTOR		<i>Deanna Marjold</i> DESIGN METHODS ENGINEER	
DOUBLE GRATE INTAKE			



- ① Install four #4 diagonal bars at all pipe openings.
- ② Cast-in-place base shown. If base is precast integral with walls, the footprint of the base is not required to extend beyond the outer edge of the walls.
- ③ 12 inch minimum wall height above all pipes.

TYPICAL SECTION

REINFORCING BAR LIST						
Mark	Size	Location	Shape	Count	Length	Spacing
4t1	4	Beam	—	4	2'-8"	4"
4b1	4	Base	—	4	7'-10"	10"
4b2	4	Base	—	8	3'-2"	12"
4w1	4	Walls	—	20	Wall Height minus 4"	12"
4w2	4	Long Walls	—	Varies	7'-4"	12"
4w3	4	Short Walls	—	Varies	2'-8"	12"

MAXIMUM PIPE DIAMETERS		
Pipe Location	Precast Structure	Cast-in-place Structure
Short Wall	15"	18"
Long Wall	60"	66"

FIGURE 6010.505 SHEET 2 OF 2

SUDAS Iowa Department of Transportation	REVISION	1	10-16-12
	FIGURE 6010.505	STANDARD ROAD PLAN	SW-505
REVISIONS: Added reference to SW-514.			SHEET 2 of 2
Paul D. Weigand <small>SUDAS DIRECTOR</small>		Deanna Marjoff <small>DESIGN METHODS ENGINEER</small>	
DOUBLE GRATE INTAKE			