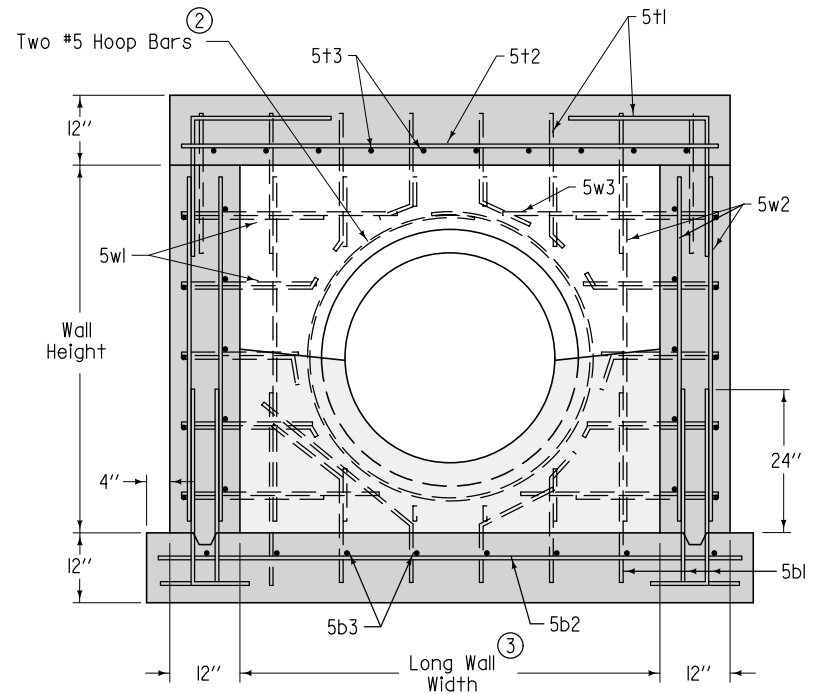
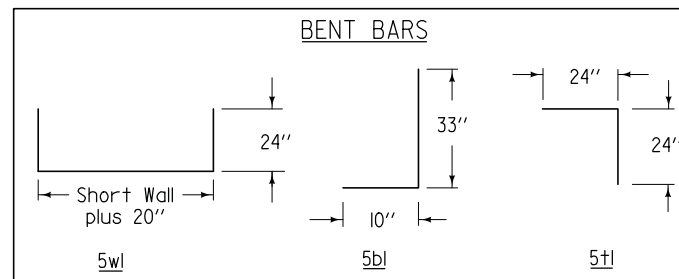


- ② Provide two #5 hoop bars at intermediate top opening and at all pipe openings.
- ③ Wall widths vary with pipe diameter and range from 4 feet minimum to 12 feet maximum. Provide 12 inches of wall width (minimum) each side of pipe opening.



SECTION A-A

REINFORCING BAR LIST					
Mark	Size	Location	Shape	Length	Spacing
5+1	5	Top	L	48"	12"
5+2	5	Top	—	Long Wall plus 20"	9"
5+3	5	Top	—	Short Wall plus 20"	9"
5+4	5	Top	—	8"	12"
5b1	5	Base	L	43"	12"
5b2	5	Base	—	Long Wall plus 26"	12"
5b3	5	Base	—	Short Wall plus 26"	12"
5w1	5	Wall	U	Short Wall plus 68"	12"
5w2	5	Wall	—	Wall Height minus 4"	12"
5w3	5	Wall	—	Long Wall plus 20"	12"
5w4	5	Wall	—	Short Wall plus 20"	12"



SUDAS Iowa Department of Transportation	REVISION 1 04-17-12
	SW-404 SHEET 2 of 2
FIGURE 6010.404 STANDARD ROAD PLAN	
REVISIONS: Modified note 3 on sheet 2.	
<i>Paul D. Weigand</i> SUDAS DIRECTOR	
<i>Deanna Marfield</i> DESIGN METHODS ENGINEER	
RECTANGULAR BASE/ CIRCULAR TOP STORM SEWER MANHOLE	