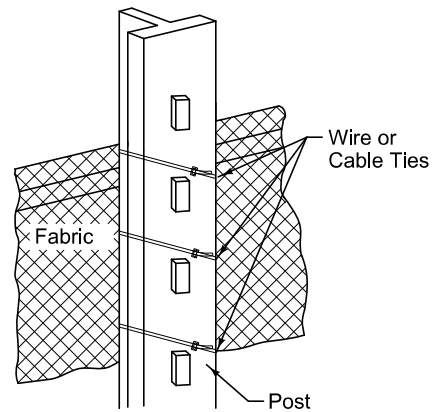



① Insert 12 inches of fabric a minimum of 6 inches deep (fabric may be folded below the ground line).

TYPICAL SILT FENCE DITCH CHECK



ATTACHMENT TO POST

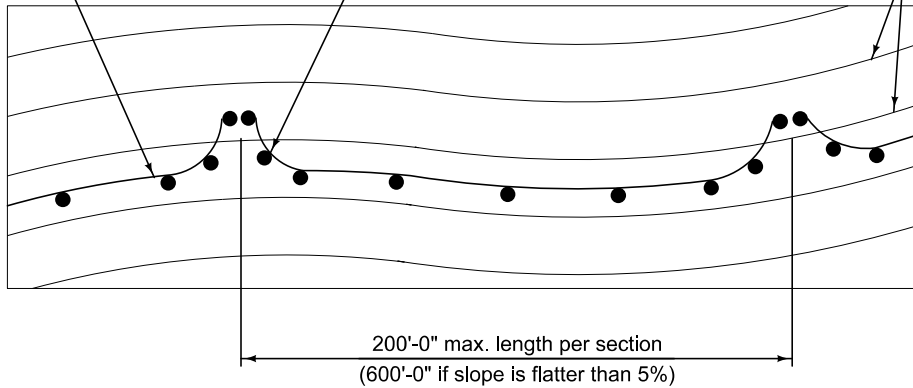
FIGURE 9040.119 SHEET 1 OF 2

	REVISION	
	2	10-21-14
SUDAS	9040.119	
SUDAS Standard Specifications		
SILT FENCE		

Install parallel to ground contour.

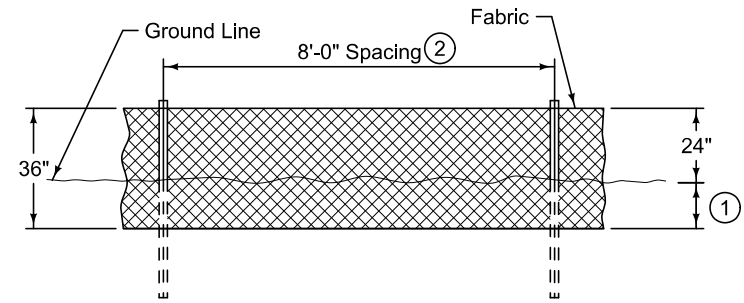
Install "J-hook" at each end of an individual section of silt fence.

Ground Contours

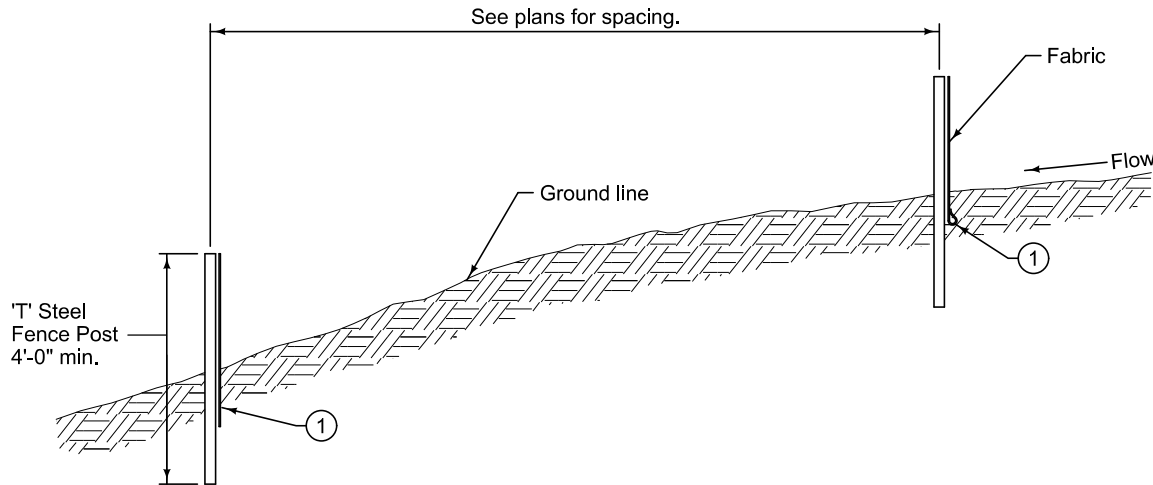


TYPICAL SILT FENCE INSTALLATION ON LONGITUDINAL SLOPES
(Plan View)

- ① Insert 12 inches of fabric a minimum of 6 inches deep (fabric may be folded below the ground line).
- ② Reduce post spacing to 5'-0" at water concentration areas, or as required to adequately support fence.



DETAILS OF SILT FENCE ON LONGITUDINAL SLOPES



TYPICAL SILT FENCE INSTALLATION ON LONGITUDINAL SLOPES
(Profile View)

	REVISION	
	2	10-21-14
	9040.119	
SHEET 2 of 2		

SUDAS Standard Specifications

SILT FENCE