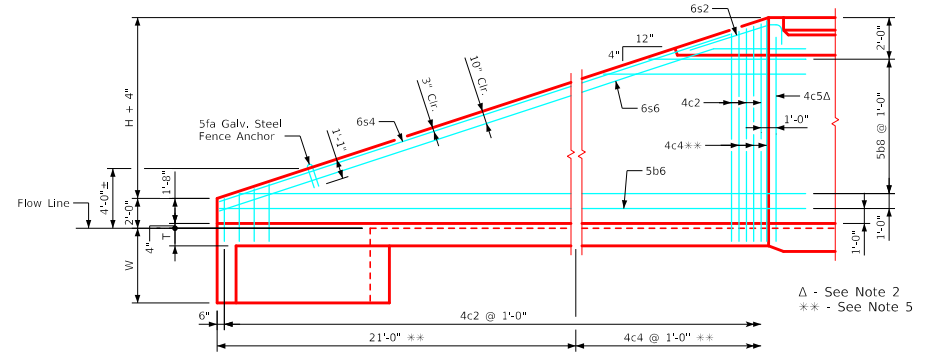
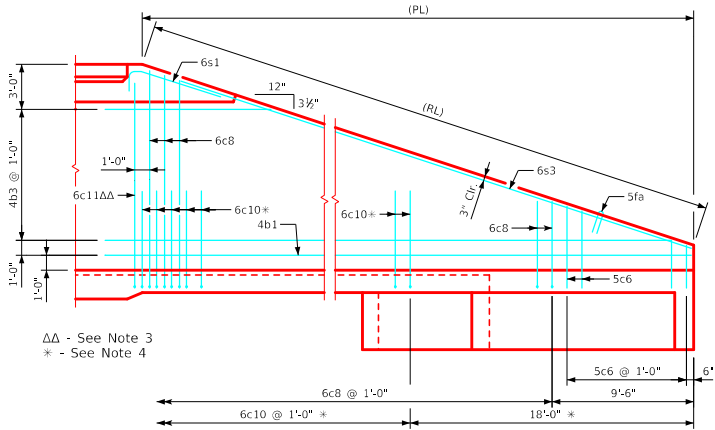


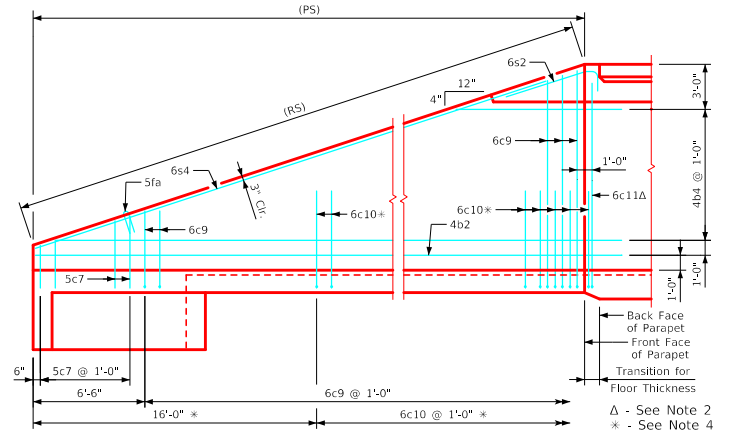
Typical View - Front Face Long Wingwall Reinforcing



Typical View - Front Face Short Wingwall Reinforcing



Typical View - Back Face Long Wingwall Reinforcing



Typical View - Back Face Short Wingwall Reinforcing

Notes:

1. Bar spacings and positions shown are similar for all sizes of headwalls in this standard.
2. Two 4c5 & two 6c11 bars for all headwalls.
3. Two 4c5 & two 6c11 for 3', 5', 7', 9', 10', 12' & 14' height headwalls. One 4c5 & one 6c11 bar for 4', 6', 8', 11' & 13' height headwalls.
4. Not applicable for 3' thru 6' height headwalls.
5. Not applicable for 3' thru 8' height headwalls.
6. For dimension table, see sheet FWH 15-2-21.
7. Top of wall slope may be rounded in some instances.

LATEST REVISION DATE	APPROVED BY BRIDGE ENGINEER		
		Standard Design - Single Reinforced Concrete Box Culverts	
		Flared Wing Headwalls February, 2021	
		Wingwall Details 15° Skew	FWH 15-5-21