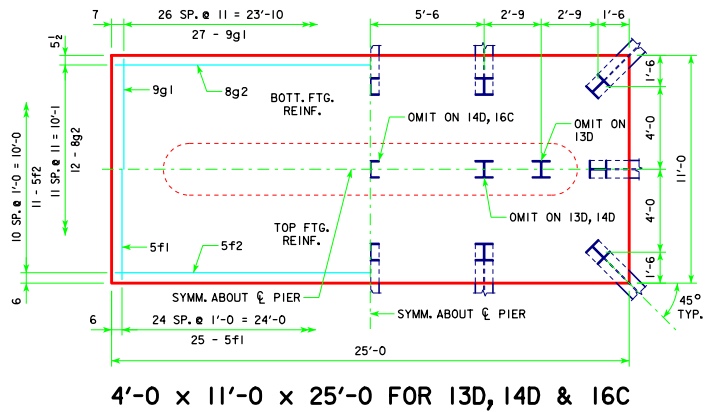
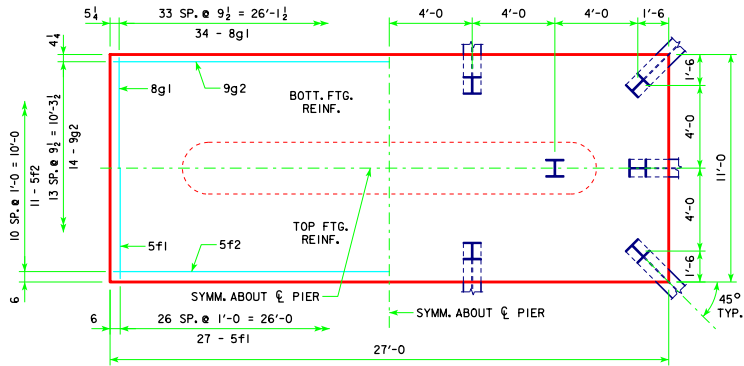


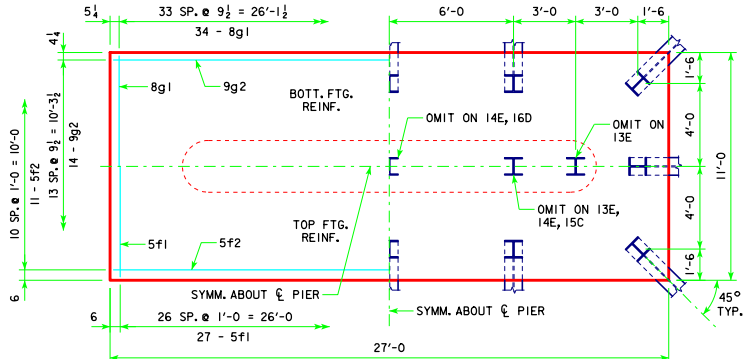
REVISED 05-13 - REVISION FOR LRFD PILE DESIGN.



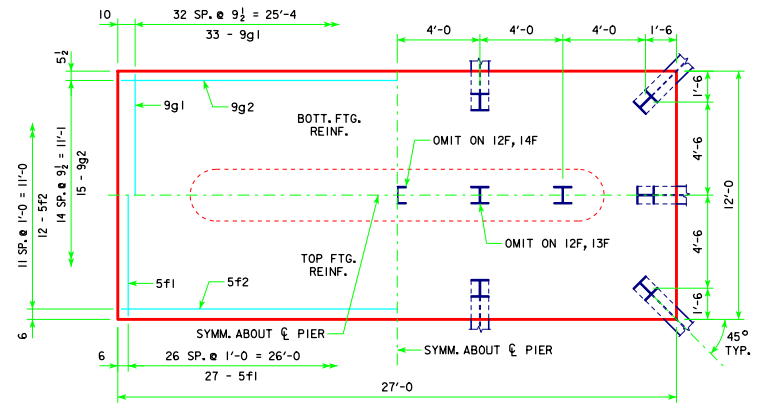
4'-0 x 11'-0 x 25'-0 FOR 13D, 14D & 16C



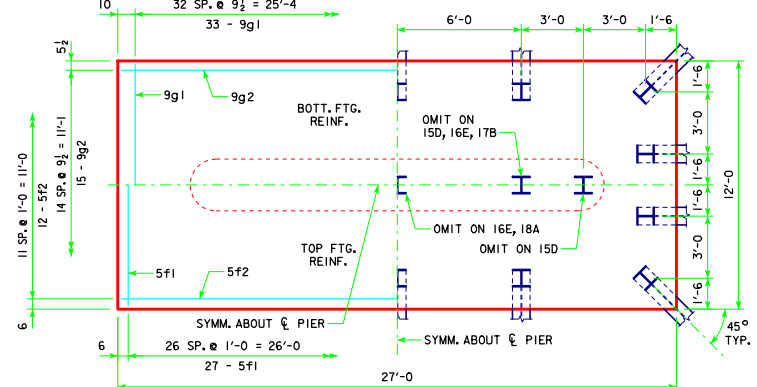
4'-0 x 11'-0 x 27'-0 FOR 12E



4'-0 x 11'-0 x 27'-0 FOR 13E, 14E, 15C & 16D




4'-0 x 12'-0 x 27'-0 FOR 12F, 13F & 14F



4'-0 x 12'-0 x 27'-0 FOR 15D, 16E, 17B, 18A & 19A

NOTE:
SEE SHEET RS40-131-10 FOR FOOTING NOTES.

05-13 LATEST REVISION DATE	APPROVED BY BRIDGE ENGINEER <i>Thomas E. McQuinn</i>	 Iowa Department of Transportation Highway Division	STANDARD DESIGN - 40' ROADWAY, 3 SPAN BRIDGES ROLLED STEEL BEAM BRIDGES JUNE, 2010	RS40-133-10
			TEE PIER-HPI0x57 SRL-2 STEEL PILE FOOTINGS 10° SKEW - SHEET 3	