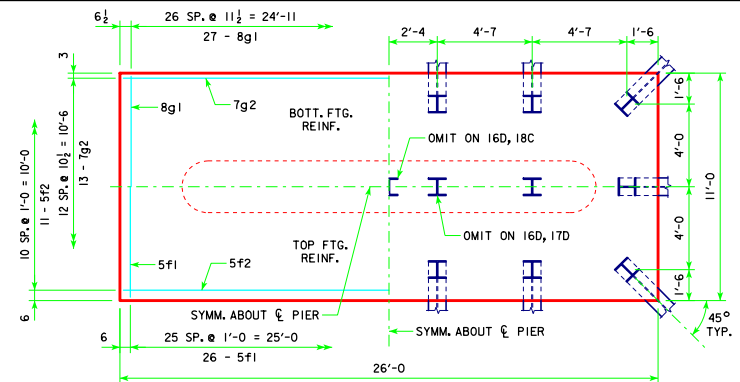
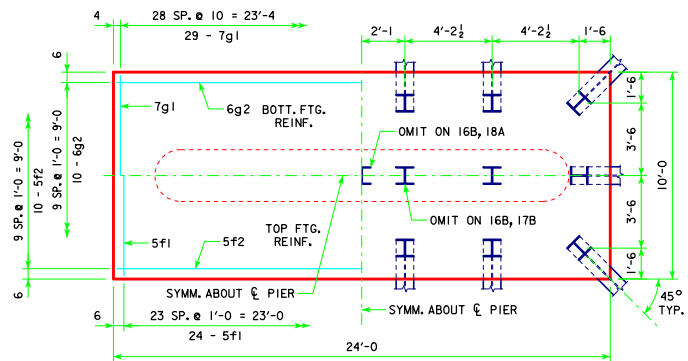


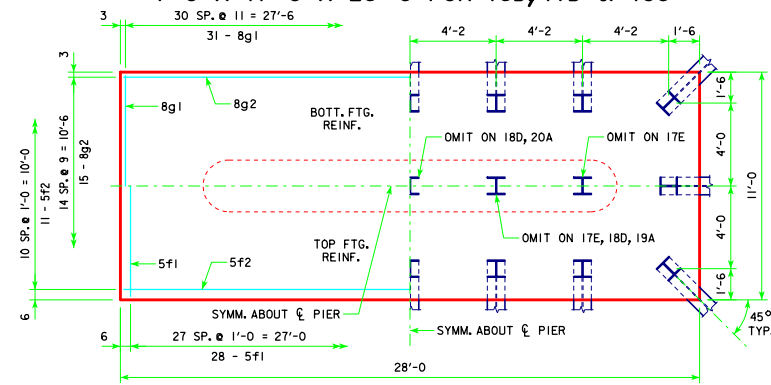
4'-0" x 9'-0" x 24'-0" FOR 16A & 17A



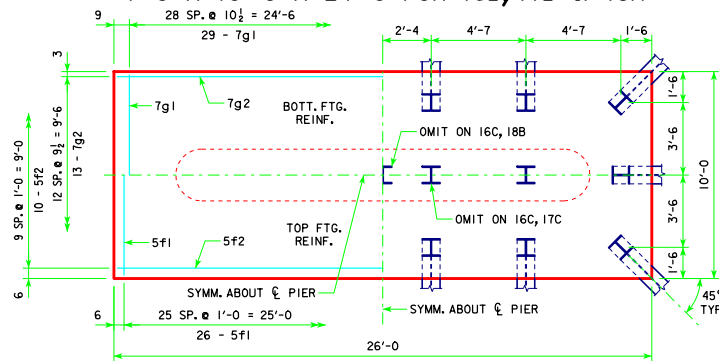
4'-0" x 11'-0" x 26'-0" FOR 16D, 17D & 18C



4'-0" x 10'-0" x 24'-0" FOR 16B, 17B & 18A



4'-0" x 11'-0" x 28'-0" FOR 17E, 18D, 19A, 20A & 21A



4'-0" x 10'-0" x 26'-0" FOR 16C, 17C & 18B

NOTE:
SEE SHEET RS40-128-14 FOR FOOTING NOTES.

LATEST REVISION DATE	 APPROVED BY BRIDGE ENGINEER	 STANDARD DESIGN - 40' ROADWAY, 3 SPAN BRIDGES ROLLED STEEL BEAM BRIDGES OCTOBER, 2014	RS40-129-14 10° SKEW - SHEET 2
		TEE PIER-HPI0x57 SRL-1 STEEL PILE FOOTINGS	