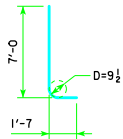


TYPICAL SECTION



d2

NOTE: D = PIN DIAMETER. DIMENSIONS ARE OUT TO OUT.

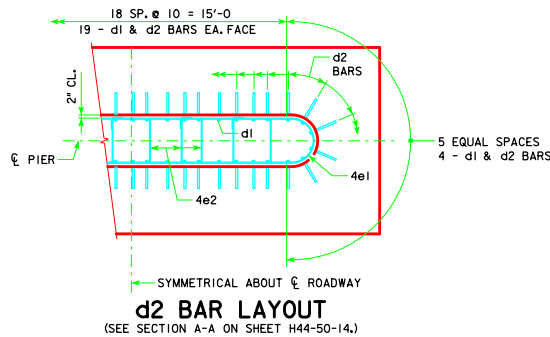
NOTE: THE REINFORCING STEEL QUANTITY IS TO BE INCLUDED ON THE SUMMARY QUANTITIES SHEET IN THE PLAN.

NOTE: THE CONCRETE QUANTITY IS TO BE INCLUDED ON THE SUMMARY QUANTITIES SHEET IN THE PLAN.

NOTE: THE PILE TYPE IS TO BE INCLUDED ON THE SUMMARY QUANTITIES SHEET IN THE PLAN.

H IN FT.	CL - CL	PILING (HP10x57)		FOOTING SIZE
		NO. & LAYOUT	LRFD PU, STRENGTH I DES. BRG. (KIPS)	
18 TO 21	201'-4	14A	220	3'-6 x 8' x 22'
16 TO 18	213'-10	15A	214	
14 TO 16	226'-4	16A	210	
12 TO 14	243'-0	16A	219	
18 TO 21	201'-4	15A	210	3'-6 x 8' x 22'
16 TO 18	213'-10	15A	218	
14 TO 16	226'-4	16A	214	
12 TO 14	243'-0	17A	215	
22 TO 24	201'-4	15A	213	3'-6 x 8' x 22'
20 TO 22	213'-10	16A	208	
18 TO 20	226'-4	16A	217	
16 TO 18	243'-0	17A	218	

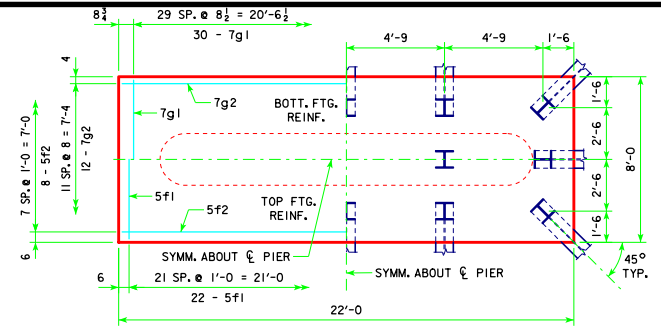
FOOTING SIZE	REINFORCING STEEL (ONE FOOTING)				TOTAL WEIGHT (LB.)	STRUCTURAL CONCRETE (CY)
	BAR NO., SIZE & SPACING	LENGTH	WEIGHT (LB.)			
3'-6 x 8' x 22'	d2	46 - #9 AS SHOWN	8'-7	1342	2700	22.8
	f1	22 - #5 @ 1'-0	7'-8	176		
	f2	8 - #5 @ 1'-0	21'-8	181		
	g1	30 - #7 @ 0'-8 1/2	7'-8	470		
	g2	12 - #7 @ 0'-8	21'-8	531		



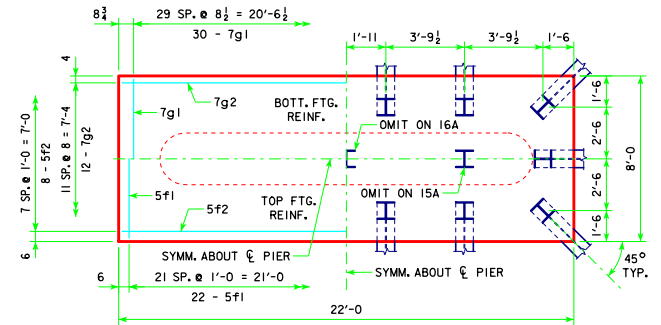
d2 BAR LAYOUT

(SEE SECTION A-A ON SHEET H44-50-14.)

NOTE: PU, STRENGTH I DESIGN LOAD (KIPS) IS NOT THE VALUE USED IN THE FIELD FOR DRIVING PILES.



3'-6 x 8'-0 x 22'-0 FOR 14A



3'-6 x 8'-0 x 22'-0 FOR 15A, 16A & 17A

FOOTING NOTES:

THESE FOOTINGS ARE DESIGNED AND DETAILED TO BE USED WITH THE CAP AND COLUMN DETAILS OF THE TEE PIERS AS SHOWN ON SHEET H44-50-14.

BATTER PILES IN EXTERIOR ROWS 1:4 IN THE DIRECTION SHOWN.

STEEL PILING USED AS POINT BEARING SHALL HAVE A MINIMUM DISTANCE OF APPROXIMATELY 10 FEET FROM BOTTOM OF FOOTING TO TOP OF BEARING ROCK. THE PILE LAYOUTS ARE SUCH THAT THE DISTANCE CENTER TO CENTER OF ADJACENT PILING SHALL NOT EXCEED 8'-0.

PIER PILES SHALL BE DRIVEN TO VALUES SHOWN IN DESIGN PLANS.

LATEST REVISION DATE	 APPROVED BY BRIDGE ENGINEER	 STANDARD DESIGN - 44' ROADWAY, THREE SPAN BRIDGE PRETENSIONED PRESTRESSED CONCRETE BEAM BRIDGES SEPTEMBER, 2014	TEE PIER-HP10x57 SRL-2 STEEL PILE FOOTINGS 0° SKEW - H=16' TO 24'	H44-54-14