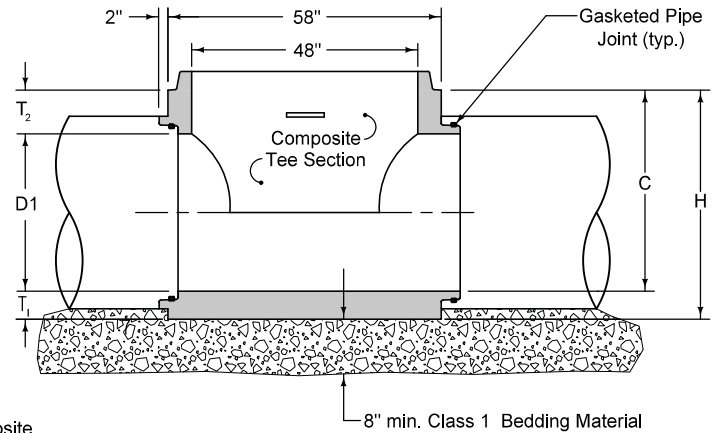
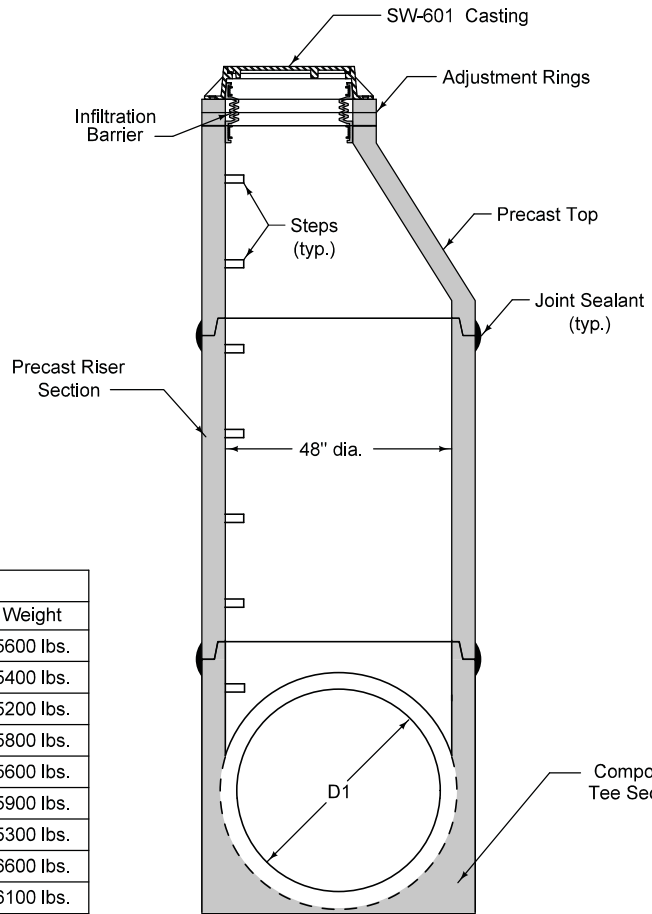
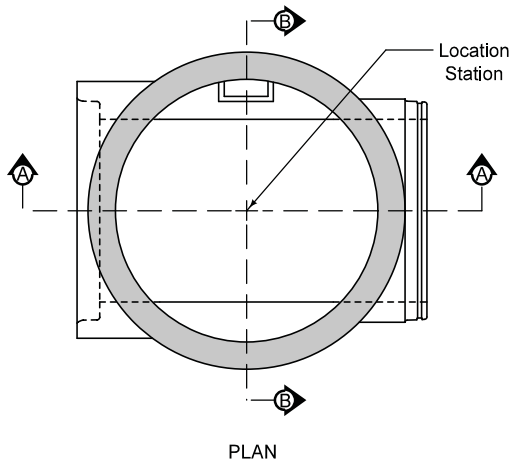


① For sewer pipes less than 48 inches in diameter, install eccentric reducers/increasers with a standard tee or utilize a composite tee.

TYPICAL SECTION
STANDARD TEE ①

FIGURE 6010.305 SHEET 1 OF 2

SUDAS	IOWADOT	REVISION
		1 10-21-14
FIGURE 6010.305	STANDARD ROAD PLAN	SW-305
		SHEET 1 of 2
REVISIONS: Replaced "Chimney Seal" with "Infiltration Barrier". Removed flow arrow.		
<i>Paul D. Wigand</i> SUDAS DIRECTOR		<i>Brian Smith</i> DESIGN METHODS ENGINEER
TEE-SECTION SANITARY SEWER MANHOLE		



COMPOSITE TEE DIMENSIONS						
Size	D1	H	T ₁	T ₂	C	Weight
48" on 12"	12"	50"	8½"	29½"	41½"	5600 lbs.
48" on 15"	15"	50"	7"	28"	43"	5400 lbs.
48" on 18"	18"	50"	5½"	26½"	44½"	5200 lbs.
48" on 21"	21"	48"	9½"	17½"	38½"	5800 lbs.
48" on 24"	24"	48"	8"	16"	40"	5600 lbs.
48" on 27"	27"	48"	9½"	11½"	38½"	5900 lbs.
48" on 30"	30"	48"	8"	10"	40"	5300 lbs.
48" on 33"	33"	54"	9½"	11½"	44½"	6600 lbs.
48" on 36"	36"	54"	8"	10"	46"	6100 lbs.

SECTION A-A

COMPOSITE TEE

Alternate to standard tee with eccentric reducer (for pipes 36" and smaller).

		REVISION
		1 10-21-14
FIGURE 6010.305	STANDARD ROAD PLAN	SW-305
		SHEET 2 of 2
<small>REVISIONS: Replaced "Chimney Seal" with "Infiltration Barrier". Removed flow arrow.</small>		
 <small>SUDAS DIRECTOR</small>		 <small>DESIGN METHODS ENGINEER</small>
TEE-SECTION SANITARY SEWER MANHOLE		