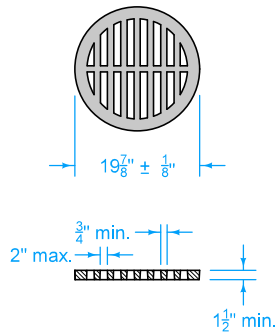
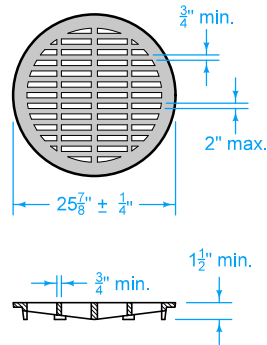


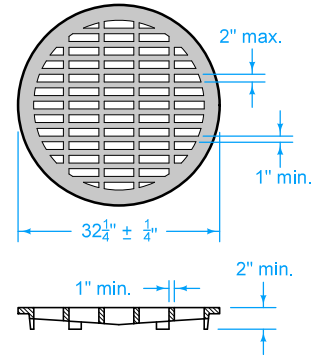
TYPE 4



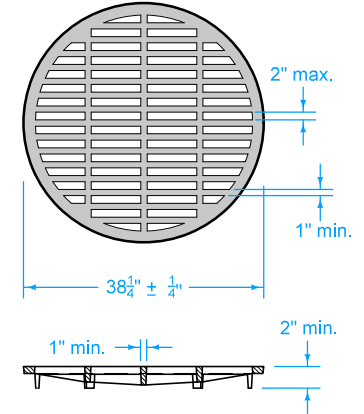
**TYPE 4A**  
For Placement on 18" RCP



**TYPE 4B**  
For Placement on 24" RCP

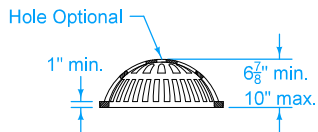
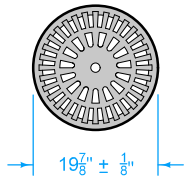


**TYPE 4C**  
For Placement on 30" RCP

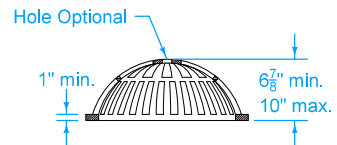
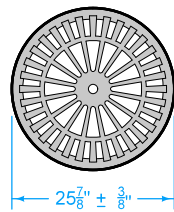


**TYPE 4D**  
For Placement on 36" RCP

**TYPE 3**  
(Light Duty)



**TYPE 3A**  
For Placement on 18" RCP



**TYPE 3B**  
For Placement on 24" RCP

**TYPE 5**  
(Light Duty)  
For Placement on 24" to 30" RCP

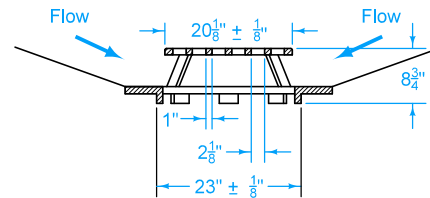
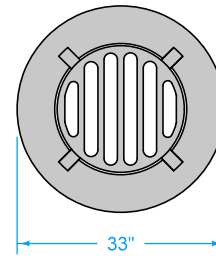
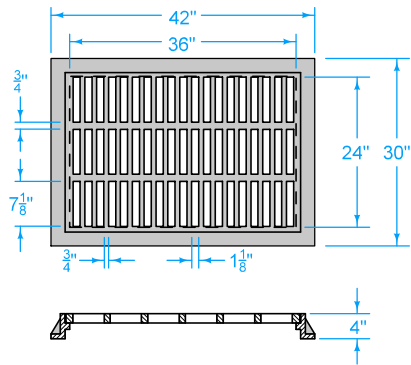


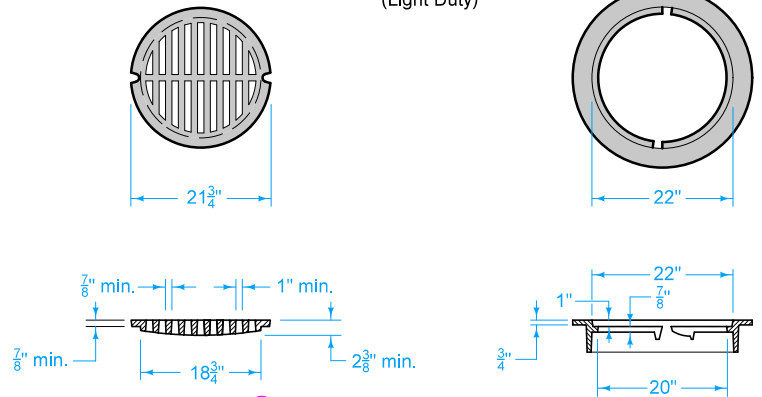
FIGURE 6010.604 SHEET 1 OF 2

		REVISION
		2   04-17-18
FIGURE 6010.604	STANDARD ROAD PLAN	<b>SW-604</b>
REVISIONS: Replaced Iowa DOT and SUDAS logos.		SHEET 1 of 2
SUDAS DIRECTOR		DESIGN METHODS ENGINEER
<b>CASTINGS FOR AREA INTAKES</b>		

TYPE 6



TYPE 9  
(Light Duty)



GRATE

Minimum Weight = 85 lbs.

FRAME

Minimum Weight = 75 lbs.

- ① Cast grate without locking lugs so it may be used in an inverted position.

SUDAS	IOWADOT	REVISION
		2   04-17-18
FIGURE 6010.604	STANDARD ROAD PLAN	<b>SW-604</b>
		SHEET 2 of 2

REVISIONS: Replaced Iowa DOT and SUDAS logos.

Paul D. Wigand  
 SUDAS DIRECTOR

Brian Smith  
 DESIGN METHODS ENGINEER

CASTINGS FOR AREA INTAKES