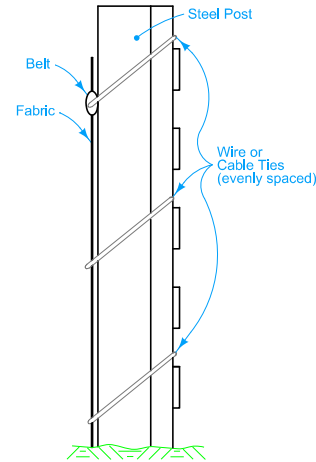


PLAN FOR SILT FENCE ⑦



**PROFILE VIEW
ATTACHMENT TO POST**

Install all silt fence using a silt fence machine. Use manual (trench) installation if physical conditions prohibit machine installation.

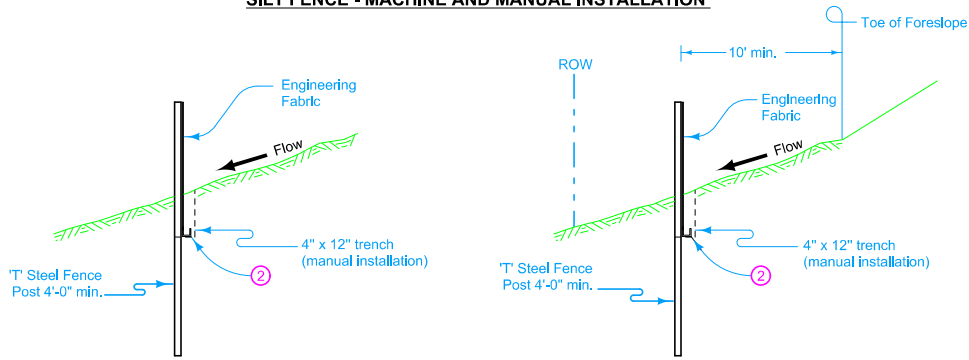
For machine installation, compact by driving over each side of silt fence at least two times with a rubber-tired vehicle.

For manual installation, compact with a mechanical or pneumatic tamper.

Place silt fence continuously up to a maximum length of 200 feet. For every segment of silt fence that is placed, flare up the slope the last 20 feet of the segment to contain runoff as shown.

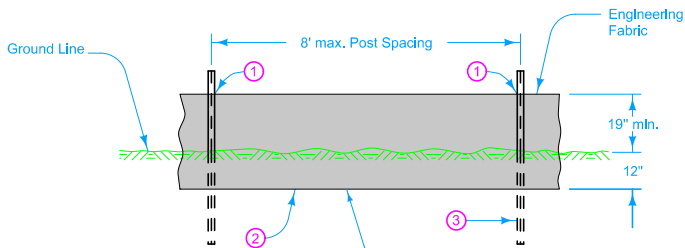
- ① Secure top of engineering fabric to steel posts using cable ties (50 lb.) or wire. See back view attachment to post.
- ② For manual installation only, fold engineering fabric along bottom of trench.
- ③ Embed all posts 28 inches below the ground line.
- ⑦ Refer to Tab. 100-17

SILT FENCE - MACHINE AND MANUAL INSTALLATION

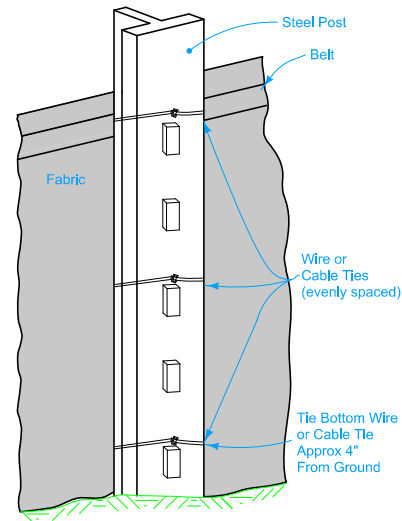


SECTION A-A

SECTION B-B



FRONT VIEW



**BACK VIEW
ATTACHMENT TO POST**



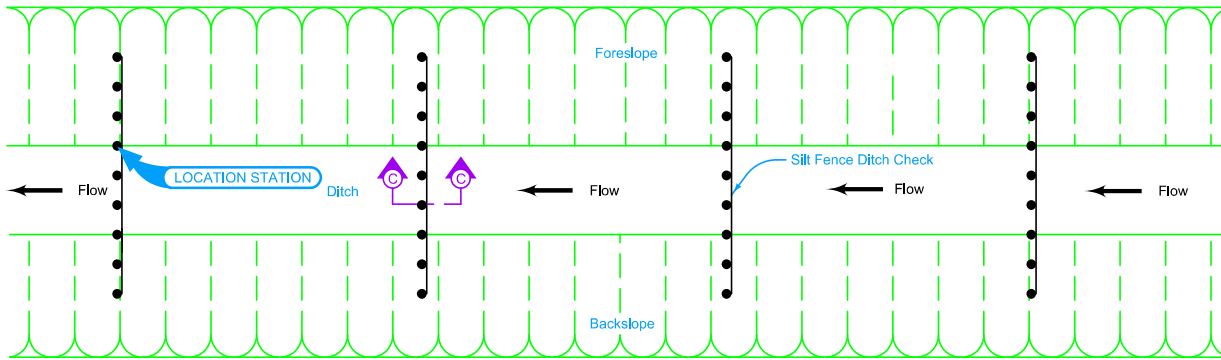
Possible Contract Items:
Silt Fence
Silt Fence for Ditch Checks

Possible Tabulations:
100-17
100-18

IOWA DOT	REVISION	
	3	10-17-17
	STANDARD ROAD PLAN	
EC-201		SHEET 1 of 3

REVISIONS: Changed Profile View and Back View to clarify placement of Wire or Cable ties. Changed pal requirement to rubber-tired vehicle in the general notes.

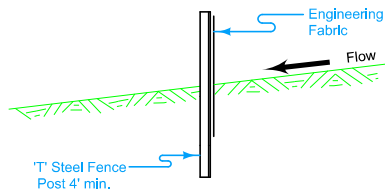
Brian Smith
APPROVED BY DESIGN METHODS ENGINEER



PLAN FOR DITCH CHECK (TYPE 1) ⑧

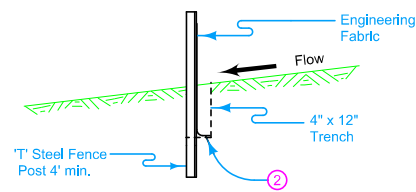
- ① Secure top of engineering fabric to steel posts using cable ties (50 lb.) or wire. See attachment to post.
- ② For manual installation only, fold engineering fabric along bottom of trench.
- ③ Embed all posts 28 inches below the ground line.
- ④ Locate posts at toe of foreslope and toe of backslope and space remaining posts equally.
- ⑤ Minimum end span (in feet) = 2 X Foreslope (H:V).
- ⑥ Minimum end span (in feet) = 2 X Backslope (H:V).
- ⑧ Refer to Tab. 100-18

DITCH CHECK - MACHINE INSTALLATION

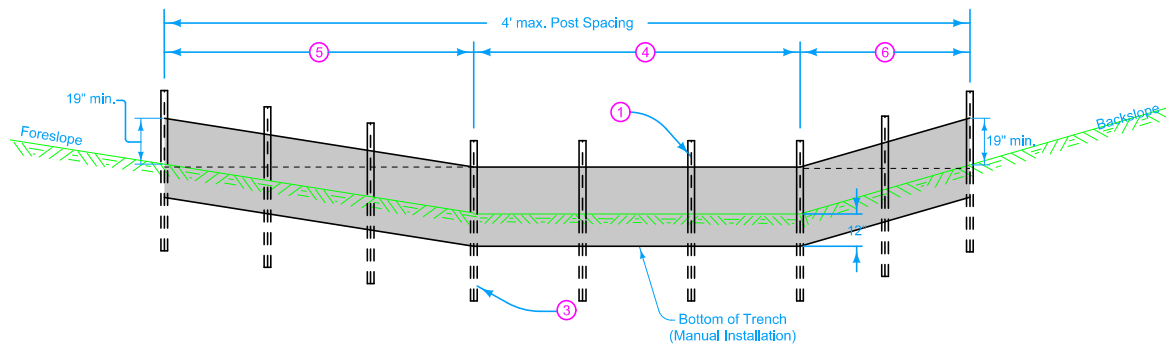


SECTION C-C

DITCH CHECK - MANUAL INSTALLATION



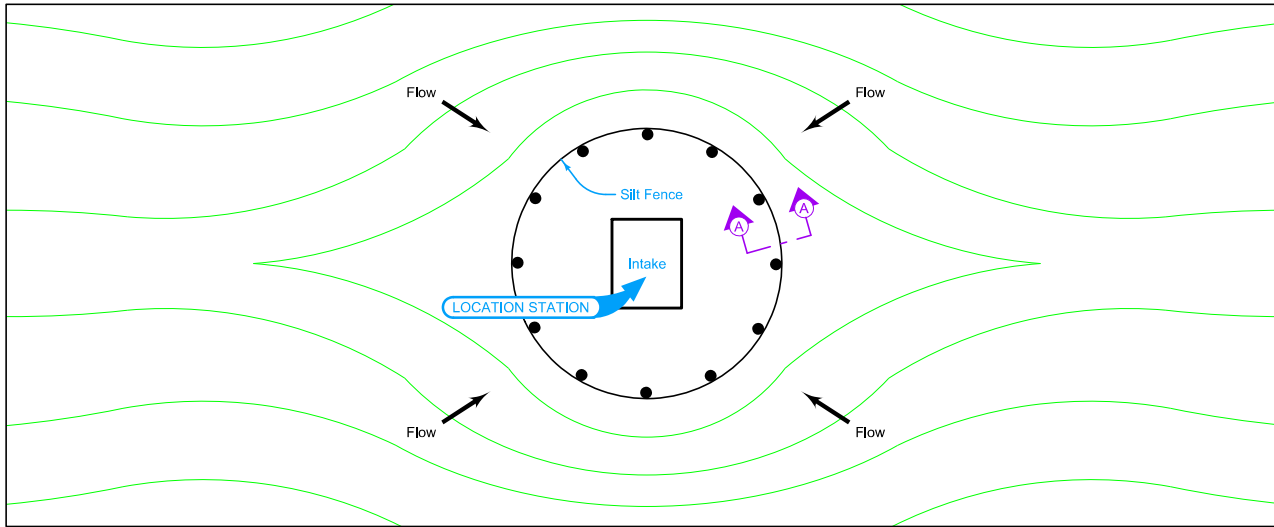
SECTION C-C



FRONT VIEW

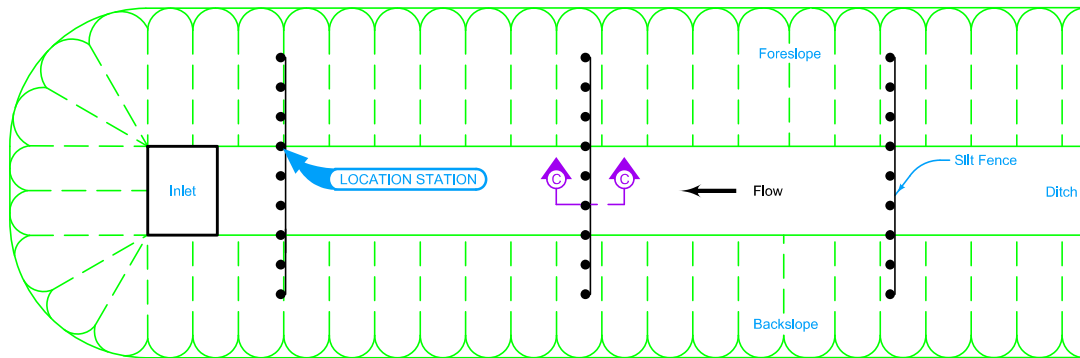
 STANDARD ROAD PLAN	REVISION
	3 10-17-17
	EC-201
SHEET 2 of 3	
REVISIONS: Changed Profile View and Back View to clarify placement of Wire or Cable ties. Changed pal requirement to rubber-tired vehicle in the general notes.	
 APPROVED BY DESIGN METHODS ENGINEER	

SILT FENCE




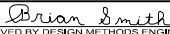
PLAN FOR SILT FENCE AT INTAKE (TYPE 2) ⁸

⁸ Refer to Tab. 100-18



PLAN FOR SILT FENCE DITCH CHECK AT INLET (TYPE 3) ⁸

 Contour Lines

 STANDARD ROAD PLAN	REVISION 3 10-17-17
	EC-201 SHEET 3 of 3
REVISIONS: Changed Profile View and Back View to clarify placement of Wire or Cable ties. Changed pal requirement to rubber-tired vehicle in the general notes.	
 APPROVED BY DESIGN METHODS ENGINEER	
SILT FENCE	