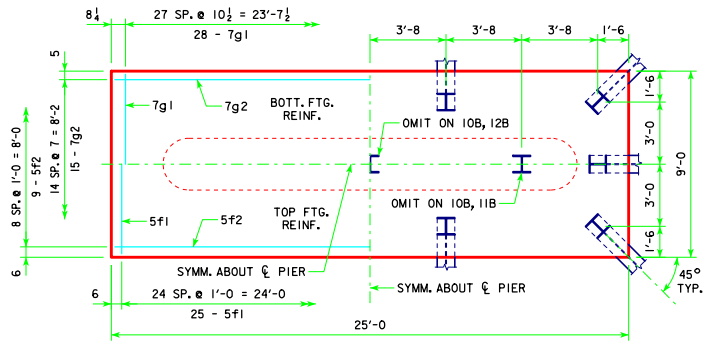
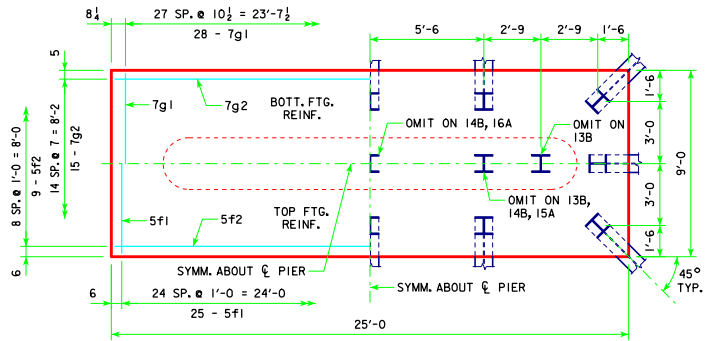


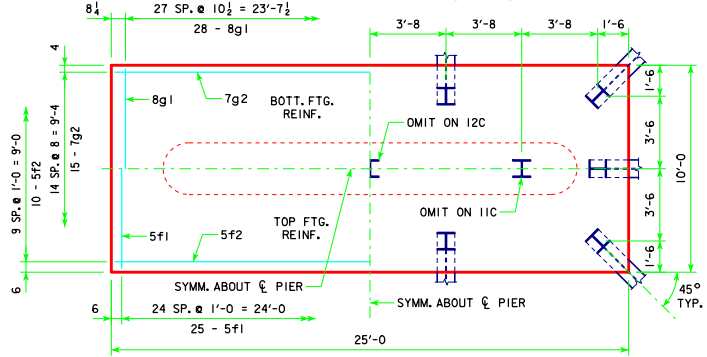
REVISED 05-13 - REVISION FOR LRFD PILE DESIGN.



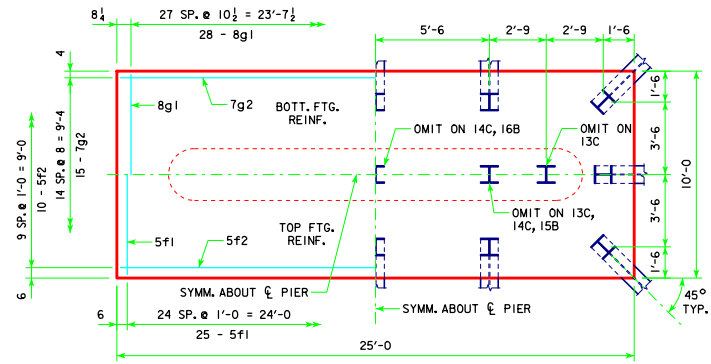
4'-0 x 9'-0 x 25'-0 FOR 10B, 11B & 12B



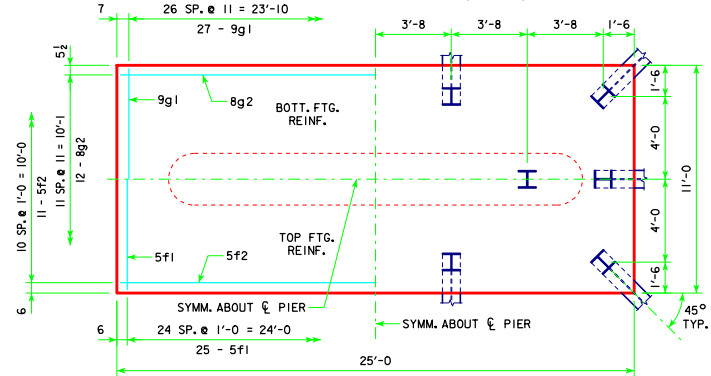
4'-0 x 9'-0 x 25'-0 FOR 13B, 14B, 15A & 16A



4'-0 x 10'-0 x 25'-0 FOR 11C & 12C



4'-0 x 10'-0 x 25'-0 FOR 13C, 14C, 15B & 16B



4'-0 x 11'-0 x 25'-0 FOR 12D

NOTE:
SEE SHEET RS40-131-10 FOR FOOTING NOTES.

LATEST REVISION DATE 05-13	APPROVED BY BRIDGE ENGINEER <i>Norman E. McQuinn</i>		
		STANDARD DESIGN - 40' ROADWAY, 3 SPAN BRIDGES ROLLED STEEL BEAM BRIDGES JUNE, 2010	
		TEE PIER-HPI0x57 SRL-2 STEEL PILE FOOTINGS 10° SKEW - SHEET 2	RS40-132-10