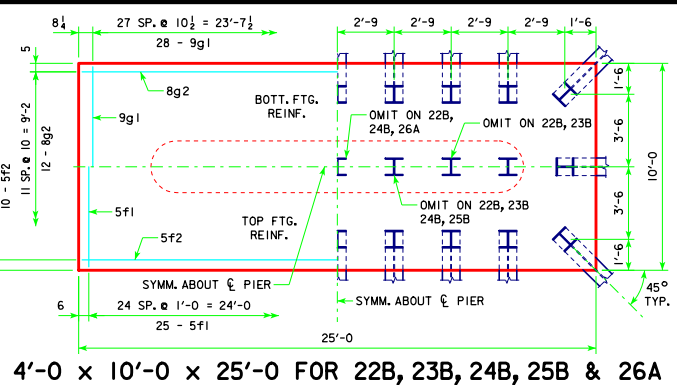


TYPICAL SECTION

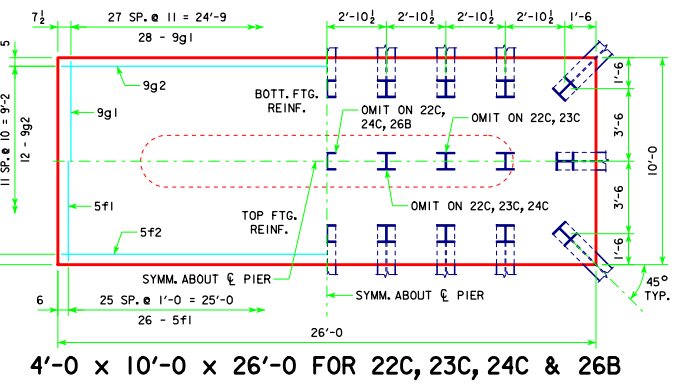
NOTE: THE REINFORCING STEEL QUANTITY IS TO BE INCLUDED ON THE SUMMARY QUANTITIES SHEET IN THE PLAN.
 NOTE: THE CONCRETE QUANTITY IS TO BE INCLUDED ON THE SUMMARY QUANTITIES SHEET IN THE PLAN.
 NOTE: THE PILE TYPE IS TO BE INCLUDED ON THE SUMMARY QUANTITIES SHEET IN THE PLAN.

H IN FT.	C - P P	PILING (HP10x57)		FOOTING SIZE
		NO. & LAYOUT	① LRFD PU, STRENGTH I DES. BRG. (KIPS)	
27	201'-4	22B	141	4' x 10' x 25'
28	213'-10	22B	146	
29	226'-4	24B	143	
30	243'-0	25B	145	
31	201'-4	22B	143	4' x 10' x 25'
32	213'-10	23B	144	
33	226'-4	24B	144	
34	243'-0	26A	143	
35	201'-4	22C	143	4' x 10' x 26'
36	213'-10	23C	144	
37	226'-4	24C	145	
38	243'-0	26B	143	
39	201'-4	22D	144	4' x 11' x 26'
40	213'-10	23D	144	
41	226'-4	24D	145	
42	243'-0	26C	143	
43	201'-4	22D	146	4' x 11' x 26'
44	213'-10	23D	147	
45	226'-4	25C	143	
46	243'-0	26C	145	

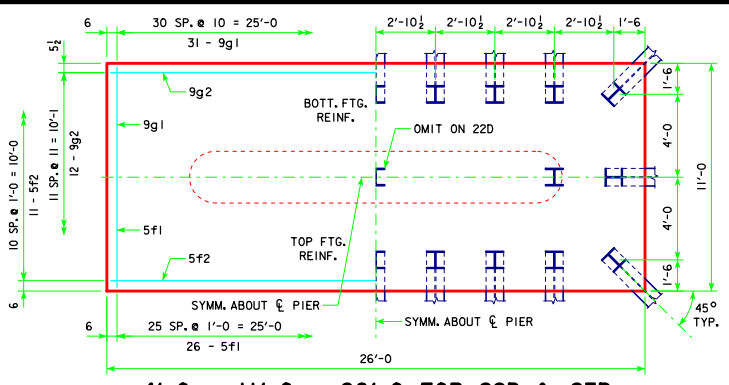
FOOTING SIZE	REINFORCING STEEL (ONE FOOTING)			TOTAL WEIGHT (LB.)	STRUCTURAL CONCRETE (CY)	
	BAR	NO., SIZE & SPACING	LENGTH			
4' x 10' x 25'	d2	46 - #9 AS SHOWN	9'-1	1421	3640	37.0
	f1	25 - #5 @ 1'-0	9'-8	252		
	f2	10 - #5 @ 1'-0	24'-8	257		
	g1	28 - #9 @ 0'-10 1/2	9'-8	920		
	g2	12 - #9 @ 0'-10	24'-8	790		
4' x 10' x 26'	d2	46 - #9 AS SHOWN	9'-1	1421	3918	38.5
	f1	26 - #5 @ 1'-0	9'-8	262		
	f2	10 - #5 @ 1'-0	25'-8	268		
	g1	28 - #9 @ 0'-11	9'-8	920		
	g2	12 - #9 @ 0'-10	25'-8	1047		
4' x 11' x 26'	d2	46 - #9 AS SHOWN	9'-1	1421	4175	42.4
	f1	26 - #5 @ 1'-0	10'-8	289		
	f2	11 - #5 @ 1'-0	25'-8	294		
	g1	31 - #9 @ 0'-10	10'-8	1124		
	g2	12 - #9 @ 0'-11	25'-8	1047		



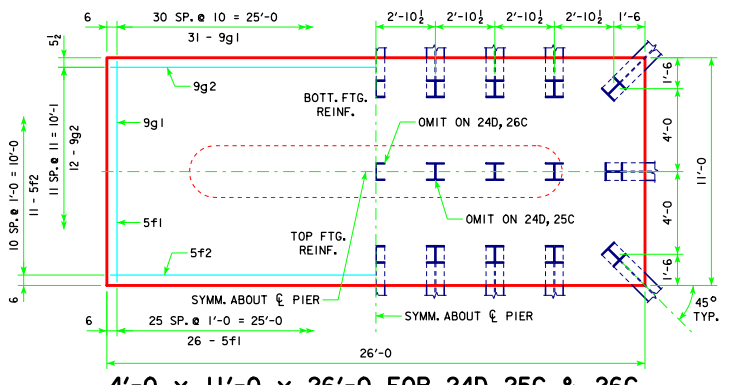
4'-0 x 10'-0 x 25'-0 FOR 22B, 23B, 24B, 25B & 26A



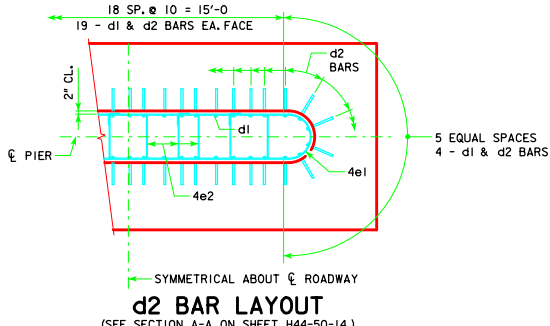
4'-0 x 10'-0 x 26'-0 FOR 22C, 23C, 24C & 26B



4'-0 x 11'-0 x 26'-0 FOR 22D & 23D



4'-0 x 11'-0 x 26'-0 FOR 24D, 25C & 26C

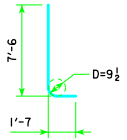


d2 BAR LAYOUT (SEE SECTION A-A ON SHEET H44-50-14.)

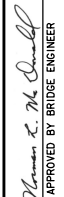

① NOTE: PU, STRENGTH I DESIGN LOAD (KIPS) IS NOT THE VALUE USED IN THE FIELD FOR DRIVING PILES.

FOOTING NOTES:

THESE FOOTINGS ARE DESIGNED AND DETAILED TO BE USED WITH THE CAP AND COLUMN DETAILS OF THE TEE PIERS AS SHOWN ON SHEET H44-50-14.
 BATTER PILES IN EXTERIOR ROWS 1-4 IN THE DIRECTION SHOWN.
 STEEL PILING USED AS POINT BEARING SHALL HAVE A MINIMUM DISTANCE OF APPROXIMATELY 10 FEET FROM BOTTOM OF FOOTING TO TOP OF BEARING ROCK. THE PILE LAYOUTS ARE SUCH THAT THE DISTANCE CENTER TO CENTER OF ADJACENT PILING SHALL NOT EXCEED 8'-0.
 PIER PILES SHALL BE DRIVEN TO VALUES SHOWN IN DESIGN PLANS.



d2
 NOTE: D = PIN DIAMETER. DIMENSIONS ARE OUT TO OUT.

LATEST REVISION DATE	 APPROVED BY BRIDGE ENGINEER	 STANDARD DESIGN - 44' ROADWAY, THREE SPAN BRIDGE PRETENSIONED PRESTRESSED CONCRETE BEAM BRIDGES SEPTEMBER, 2014	TEE PIER-HP10x57 SRL-1 STEEL PILE FOOTINGS 0° SKEW - H=25' TO 40'	H44-53-14