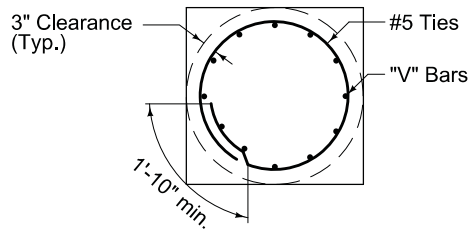


- ① Shape top 11 inches with forms.
- ② Install rodent guard or non-shrink grout with weep hole.

Max. Mast Arm Length	Foundation		"V" Bars			Tie Bars				
	W	L	Count	Size	Length	Bar Count	Upper Spacing		Lower Spacing	
							# Spaces	S1	# Spaces	S2
35'-0"	3'-0"	12'-0"	12	8	11'-6"	17	9	12"	N/A	N/A
45'-0"	3'-0"	14'-0"	12	8	13'-6"	19	11	12"	N/A	N/A
55'-0"	3'-0"	16'-0"	12	8	15'-6"	25	12	8"	5	12"
60'-0"	3'-0"	18'-0"	13	8	17'-6"	28	15	8"	5	12"
70'-0"	3'-6"	18'-0"	12	10	17'-6"	28	15	8"	5	12"
80'-0"	3'-6"	21'-0"	14	10	20'-6"	40	22	6"	10	8"
90'-0"	4'-0"	22'-0"	16	10	21'-6"	42	24	6"	10	8"
100'-0"	4'-0"	24'-0"	18	10	23'-6"	47	32	6"	7	8"

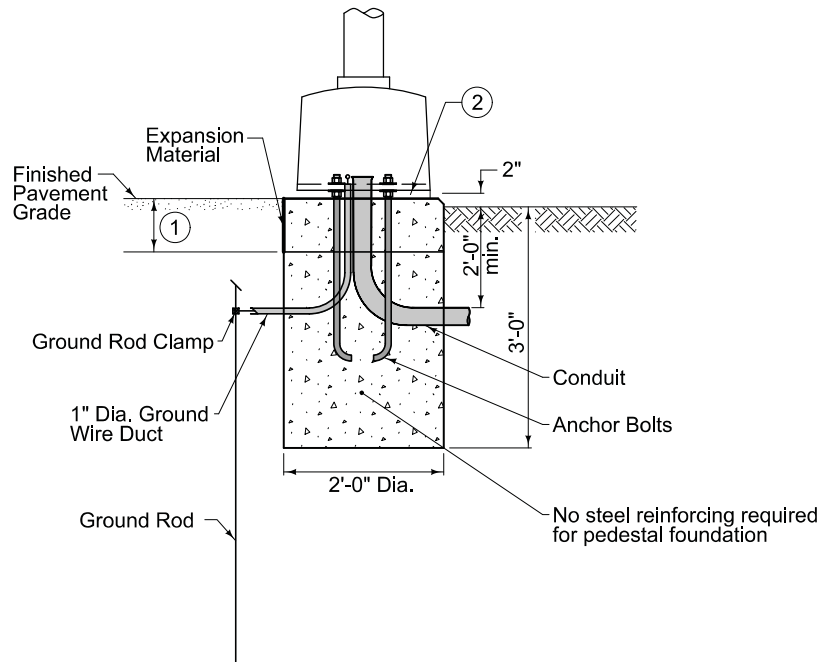


MAST ARM POLE FOUNDATION

FIGURE 8010.102 SHEET 1 OF 2

SUDAS	IOWADOT	REVISION
		New 04-18-17
FIGURE 8010.102	STANDARD ROAD PLAN	TS-102
REVISIONS: New.		
Paul D. Wigand SUDAS DIRECTOR		
Brian Smith DESIGN METHODS ENGINEER		
TRAFFIC SIGNAL POLE FOUNDATION		

- ① Shape top 11 inches with forms.
- ② Install rodent guard or non-shrink grout with weep hole.



PEDESTAL POLE FOUNDATION

SUDAS	IOWADOT	REVISION
		New 04-18-17
FIGURE 8010.102	STANDARD ROAD PLAN	TS-102
		SHEET 2 of 2
REVISIONS: New.		
Paul D. Wigand SUDAS DIRECTOR		Brian Smith DESIGN METHODS ENGINEER
TRAFFIC SIGNAL POLE FOUNDATION		