

Use ductile iron pipe with restrained mechanical joints for fire hydrant assembly and anchor tee.

① Do not cover drain holes or tracer wire.

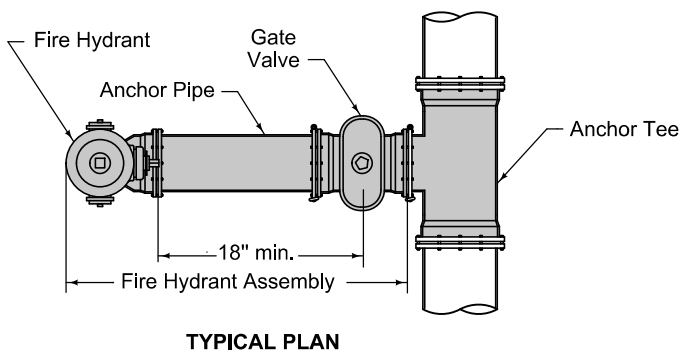


FIGURE 5020.201 SHEET 1 OF 1

SUDAS	IOWADOT	REVISION
		2   04-18-17
FIGURE 5020.201	STANDARD ROAD PLAN	<b>WM-201</b>
		SHEET 1 of 1
REVISIONS: Updated SUDAS and DOT logos.		
<i>Paul D. Wigand</i> SUDAS DIRECTOR		<i>Brian Smith</i> DESIGN METHODS ENGINEER
FIRE HYDRANT ASSEMBLY		