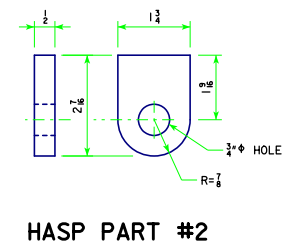
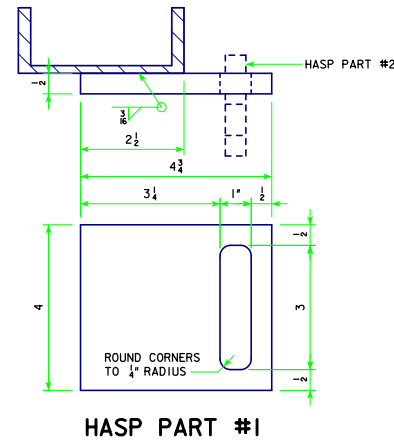
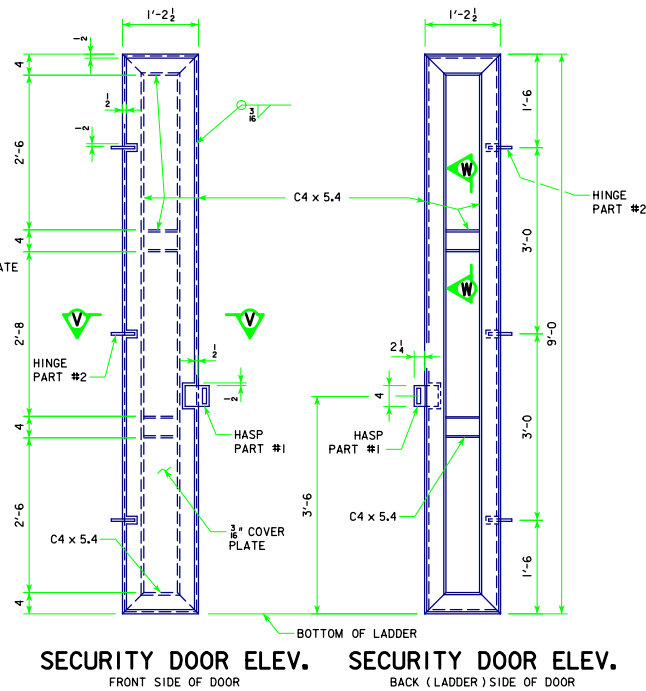
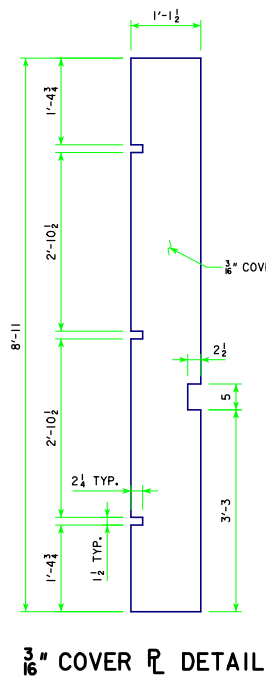
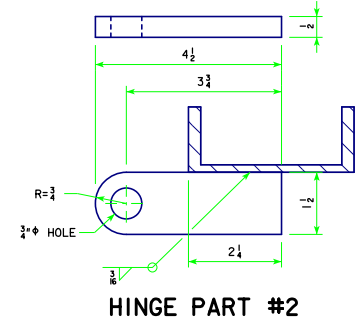
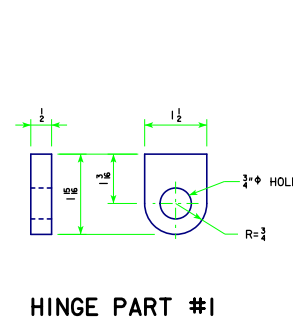
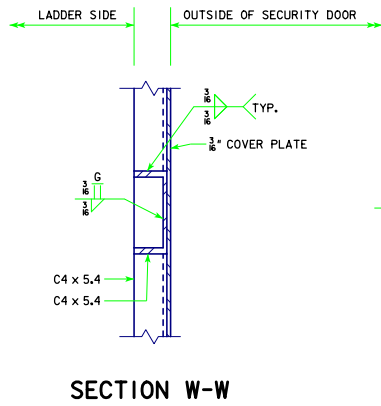
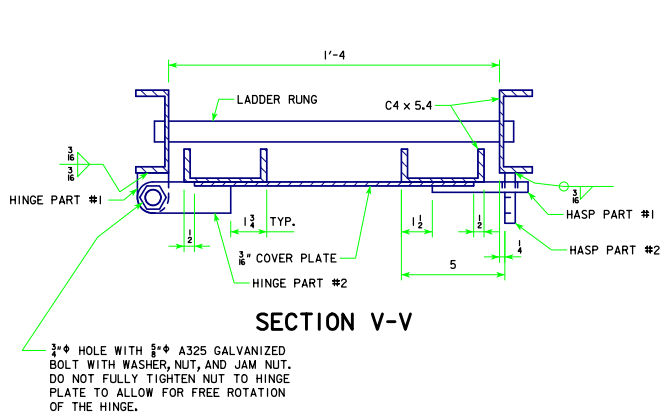


REVISION: 11-13 - CORRECTED HASP EXTENSION DIMENSION ON SECURITY DOOR ELEVATION.
 STEELOVERHEADSIGNTRUSS.DGN - SOST-16-11 - THIS SHEET ISSUED 03-13.



11-13 LATEST REVISION DATE <i>Thomas E. Mc Donald</i> APPROVED BY BRIDGE ENGINEER		
	STANDARD DESIGN STEEL OVERHEAD SIGN TRUSS SEPTEMBER, 2011	
	DMS LADDER SECURITY DOOR DETAILS 50'-130' SPANS	SOST-16-11