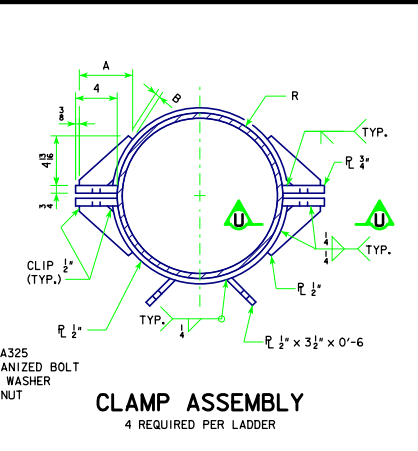
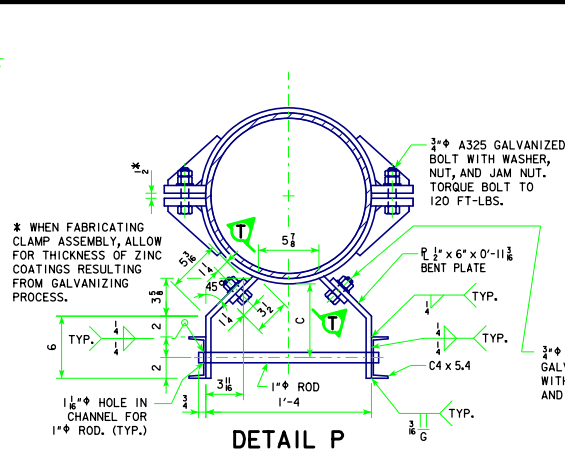
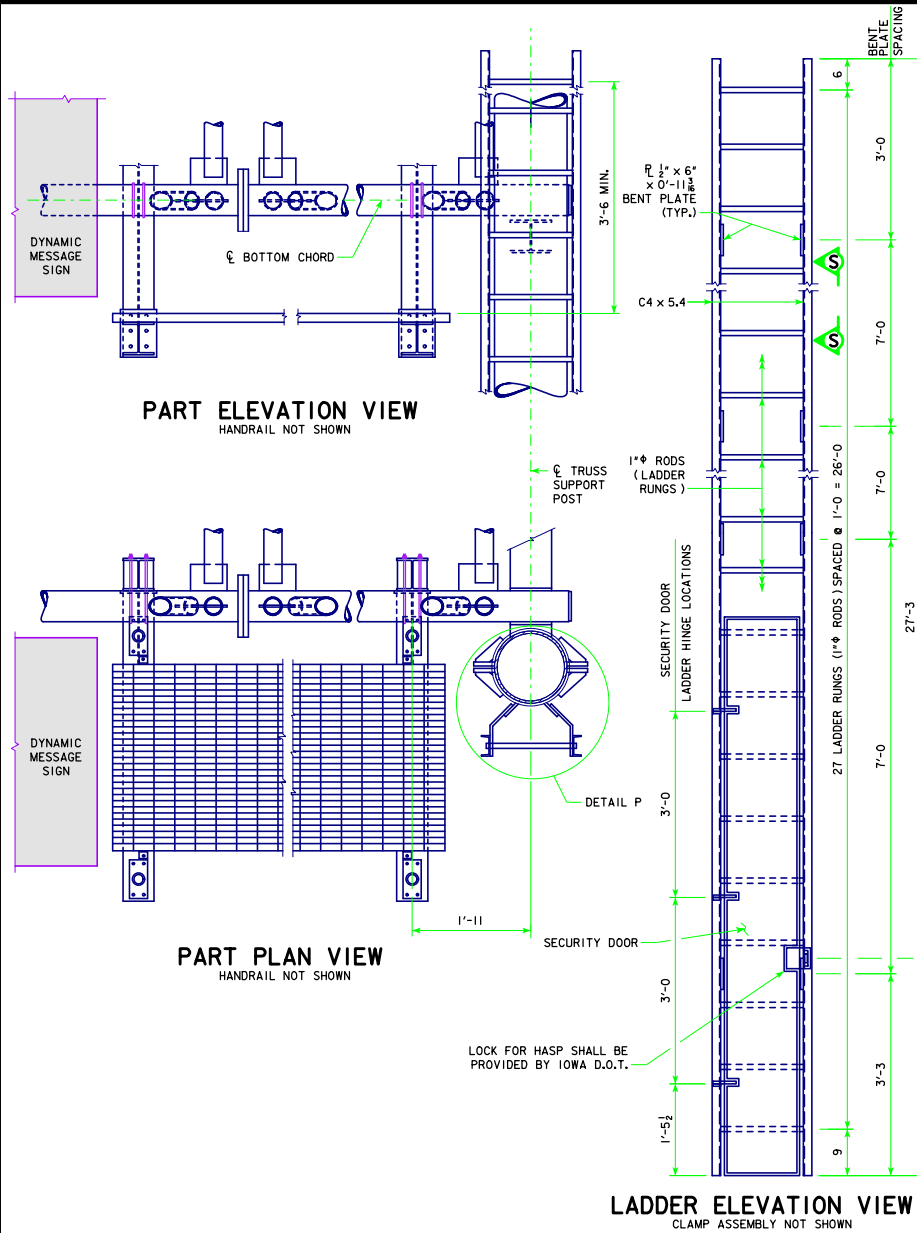
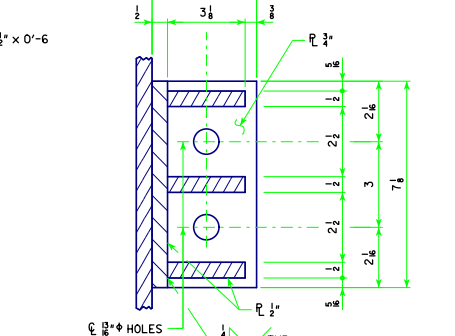
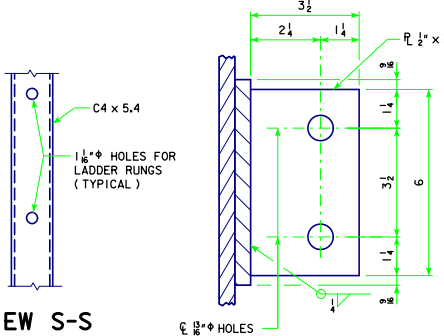


REVISION: 06-13 - CHANGED LABEL FOR DETAIL STEEL OVERHEAD SIGN TRUSS.DGN - SOST-15-11 - THIS SHEET ISSUED 03-13.



DIMENSION TABLE

SPAN	TRUSS SUPPORT POST	R	A	B	C
50' - 100'	HSS 14.000 x 0.500	7	5 5/8	3	7 1/2
105' - 130'	HSS 16.000 x 0.500	8	5 1/2	1/2	7 1/2



NOTE: SEE STANDARD SHEET SOST-16-11 FOR SECURITY DOOR DETAILS.

06-13 LATEST REVISION DATE <i>Norman E. Mc Donald</i> APPROVED BY BRIDGE ENGINEER		
	STANDARD DESIGN STEEL OVERHEAD SIGN TRUSS SEPTEMBER, 2011	
	DMS LADDER DETAILS 50'-130' SPANS	SOST-15-11