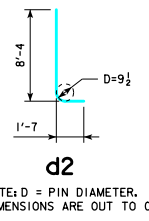
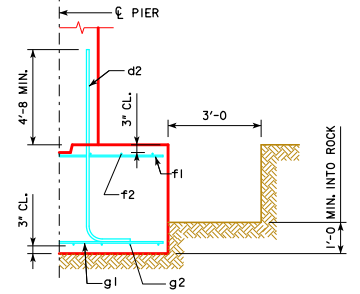
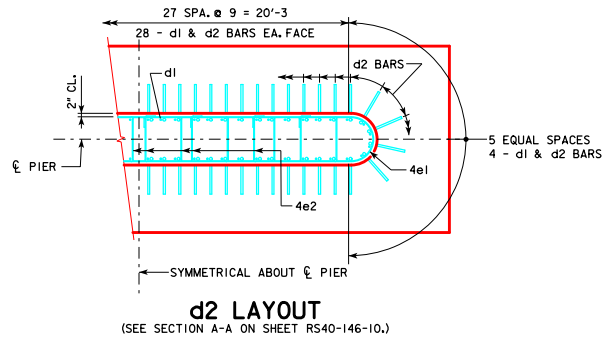


REVISED 05-13 - FOOTING NOTES MODIFIED.
 REVISED 10-2016 - CHANGED VERTICAL CLEARANCE OF REBAR "f2" TO TOP OF PIER FOOTING TO 3" (WAS 2").

H IN FT.	CL - CL ABUT. BRG.	FOOTING SIZE
16 TO 18	160'-0	4' x 8' x 28'
180'-0	200'-0	4' x 9' x 28'
220'-0	240'-0	4' x 9' x 30'
260'-0	280'-0	4' x 10' x 30'
300'-0	320'-0	4' x 10' x 32'
340'-0		4' x 11' x 32'
19 TO 21	160'-0	4' x 8' x 28'
180'-0	200'-0	4' x 9' x 28'
220'-0	240'-0	4' x 9' x 30'
260'-0	280'-0	4' x 10' x 30'
300'-0	320'-0	4' x 10' x 32'
340'-0		4' x 11' x 32'
22 TO 24	160'-0	4' x 8' x 28'
180'-0	200'-0	4' x 9' x 28'
220'-0	240'-0	4' x 9' x 30'
260'-0	280'-0	4' x 10' x 30'
300'-0	320'-0	4' x 10' x 32'
340'-0		4' x 11' x 32'
25 TO 27	160'-0	4' x 8' x 28'
180'-0	200'-0	4' x 9' x 28'
220'-0	240'-0	4' x 9' x 30'
260'-0	280'-0	4' x 10' x 30'
300'-0	320'-0	4' x 10' x 32'
340'-0		4' x 11' x 32'
28 TO 30	160'-0	4' x 8' x 28'
180'-0	200'-0	4' x 9' x 28'
220'-0	240'-0	4' x 9' x 30'
260'-0	280'-0	4' x 10' x 30'
300'-0	320'-0	4' x 10' x 32'
340'-0		4' x 11' x 34'
31 TO 33	160'-0	4' x 9' x 28'
180'-0	200'-0	4' x 9' x 30'
220'-0	240'-0	4' x 9' x 30'
260'-0	280'-0	4' x 10' x 30'
300'-0	320'-0	4' x 10' x 32'
340'-0		4' x 11' x 34'
34 TO 36	160'-0	4' x 9' x 28'
180'-0	200'-0	4' x 9' x 30'
220'-0	240'-0	4' x 10' x 30'
260'-0	280'-0	4' x 10' x 32'
300'-0	320'-0	4' x 11' x 32'
340'-0		4' x 11' x 34'

H IN FT.	CL - CL ABUT. BRG.	FOOTING SIZE
37 TO 40	160'-0	4' x 9' x 28'
180'-0	200'-0	4' x 9' x 30'
220'-0	240'-0	4' x 10' x 30'
260'-0	280'-0	4' x 10' x 32'
300'-0	320'-0	4' x 11' x 32'
340'-0		4' x 11' x 34'

FOOTING SIZE	REINFORCING STEEL (ONE FOOTING)				TOTAL WEIGHT (L.B.)	STRUCTURAL CONCRETE (CY)
	BAR NO.	SIZE & SPACING	LENGTH	WEIGHT (L.B.)		
4' x 8' x 28'	d2	64 - #9 AS SHOWN	9'-11	2158	3267	33.2
	f1	28 - #5 @ 1'-0	7'-8	224		
	f2	8 - #5 @ 1'-0	27'-8	231		
	g1	28 - #6 @ 1'-0	7'-8	322		
	g2	8 - #6 @ 1'-0	27'-8	332		
	d2	64 - #9 AS SHOWN	9'-11	2158		
f1	28 - #5 @ 1'-0	8'-8	253			
f2	9 - #5 @ 1'-0	27'-8	260			
g1	32 - #6 @ 0'-10 1/2	8'-8	417			
g2	9 - #6 @ 1'-0	27'-8	374			
d2	64 - #9 AS SHOWN	9'-11	2158	3843	40.0	
f1	30 - #5 @ 1'-0	8'-8	271			
f2	9 - #5 @ 1'-0	29'-8	278			
g1	36 - #6 @ 0'-10	8'-8	469			
g2	11 - #7 @ 0'-10	29'-8	667			
d2	64 - #9 AS SHOWN	9'-11	2158			4208
f1	30 - #5 @ 1'-0	9'-8	302			
f2	10 - #5 @ 1'-0	29'-8	309			
g1	36 - #7 @ 0'-10	9'-8	711			
g2	12 - #7 @ 0'-10	29'-8	728			
d2	64 - #9 AS SHOWN	9'-11	2158	4850	47.4	
f1	32 - #5 @ 1'-0	9'-8	323			
f2	10 - #5 @ 1'-0	31'-8	330			
g1	39 - #7 @ 0'-9 1/2	9'-8	771			
g2	15 - #8 @ 0'-8	31'-8	1268			
d2	64 - #9 AS SHOWN	9'-11	2158			5312
f1	32 - #5 @ 1'-0	10'-8	356			
f2	11 - #5 @ 1'-0	31'-8	363			
g1	38 - #8 @ 0'-10	10'-8	1082			
g2	16 - #8 @ 0'-8	31'-8	1353			
d2	64 - #9 AS SHOWN	9'-11	2158	6146	55.4	
f1	34 - #5 @ 1'-0	10'-8	378			
f2	11 - #5 @ 1'-0	33'-8	386			
g1	42 - #8 @ 0'-9 1/2	10'-8	1196			
g2	14 - #10 @ 0'-9 1/2	33'-8	2028			



FOOTING NOTES:

THESE SPREAD FOOTINGS ARE DESIGNED AND DETAILED TO BE USED WITH THE CAP AND COLUMN DETAILS OF THE TEE PIERS AS SHOWN ON SHEET RS40-146-10.

THESE SPREAD FOOTINGS SHALL EXTEND AT LEAST 12 INCHES INTO SUITABLE FOUNDATION ROCK AND THE LAST 12 INCHES OF ROCK EXCAVATION SHALL BE TO NEAT LINES OF MASONRY. THE FOUNDATION ROCK SHALL HAVE A MINIMUM LRFD NOMINAL BEARING RESISTANCE OF 30 KIPS PER SQUARE FOOT (ALLOWABLE BEARING VALUE OF AT LEAST 10 KIPS PER SQUARE FOOT).

10-2016 LATEST REVISION DATE <i>Thomas E. McQuinn</i> APPROVED BY BRIDGE ENGINEER	
	STANDARD DESIGN - 40' ROADWAY, 3 SPAN BRIDGES ROLLED STEEL BEAM BRIDGES JUNE, 2010
	TEE PIER - SPREAD FOOTINGS 30° SKEW - SHEET 1

RS40-154-10