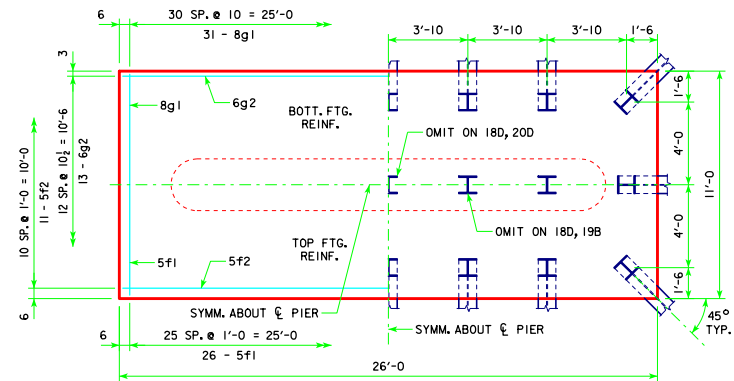
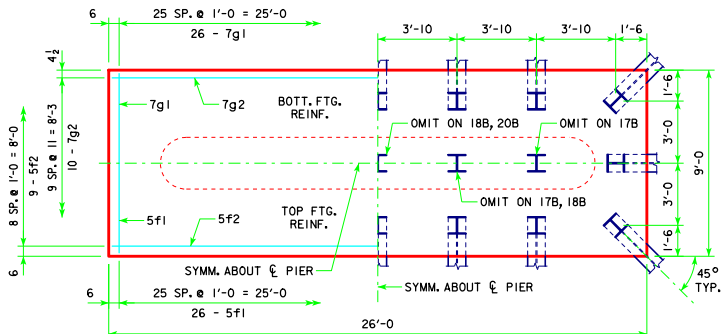


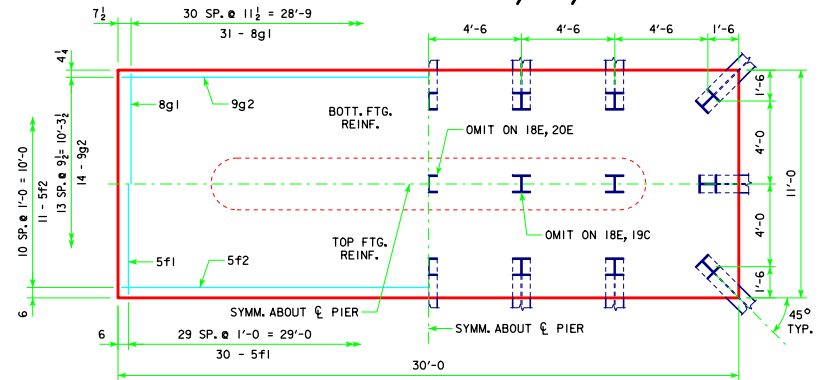
4'-0 x 8'-0 x 26'-0 FOR 17A, 18A, 19A, 20A & 21A



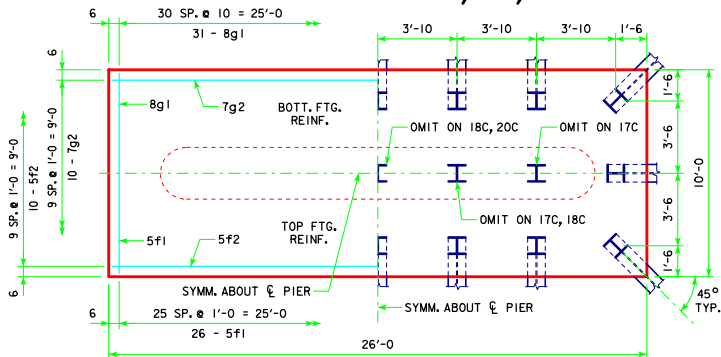
4'-0 x 11'-0 x 26'-0 FOR 18D, 19B, 20D & 21C



4'-0 x 9'-0 x 26'-0 FOR 17B, 18B, 20B & 21B



4'-0 x 11'-0 x 30'-0 FOR 18E, 19C, 20E & 21D



4'-0 x 10'-0 x 26'-0 FOR 17C, 18C & 20C

NOTE:  
SEE SHEET RS40-138-14 FOR FOOTING NOTES.

LATEST REVISION DATE  APPROVED BY BRIDGE ENGINEER <i>Thomas E. McQuinn</i>		
	STANDARD DESIGN - 40' ROADWAY, 3 SPAN BRIDGES <b>ROLLED STEEL BEAM BRIDGES</b> OCTOBER, 2014	
<b>TEE PIER-HP10x57 SRL-1 STEEL PILE FOOTINGS</b> 20° SKEW - SHEET 2		<b>RS40-139-14</b>