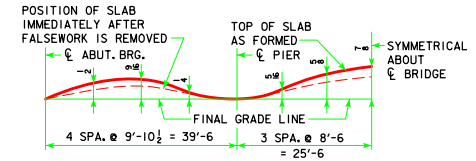


HALF SECTION NEAR PIER      HALF SECTION NEAR ABUTMENT

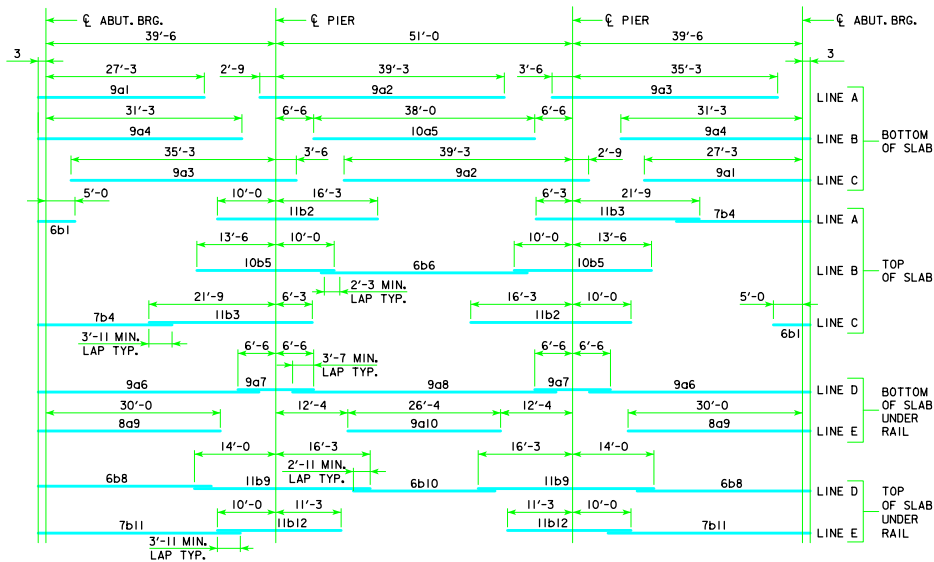
SLAB CROSS-SECTIONAL AREA  
FOR OPEN RAIL = 48.11 SQ. FT.



**FORM CAMBER DIAGRAM**

THIS DIAGRAM SHOWS THE FORM CAMBER REQUIRED TO COMPENSATE FOR THE ANTICIPATED ULTIMATE DEAD LOAD DEFLECTION. THE ABOVE DIMENSIONS DO NOT INCLUDE ANY ALLOWANCE FOR FORM DEFLECTION OR FALSEWORK SETTLEMENT.

NOTE:  
TOP LONGITUDINAL REINFORCING STEEL IS TO BE PARALLEL TO AND 2 1/2\"/>



PLACEMENT FOR LONGITUDINAL REINFORCEMENT

REVISED 06-12 - I.M. REQUIREMENT ADDED TO BAR CHAIR NOTE.

LATEST REVISION DATE 06-12 APPROVED BY BRIDGE ENGINEER <i>Thomas E. McQuinn</i>	
	STANDARD DESIGN - 24' ROADWAY, 3 SPAN BRIDGES <b>CONTINUOUS CONCRETE SLAB BRIDGES</b> NOVEMBER, 2006
	<b>SUPERSTRUCTURE DETAILS 130'-0 BRIDGE</b>
<b>J24-14-06</b>	