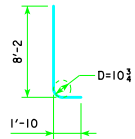
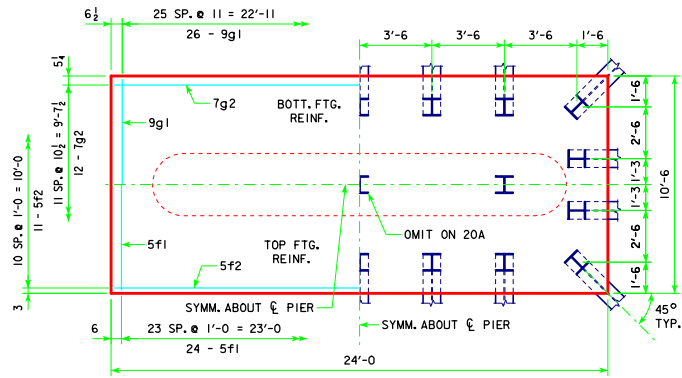


TYPICAL SECTION

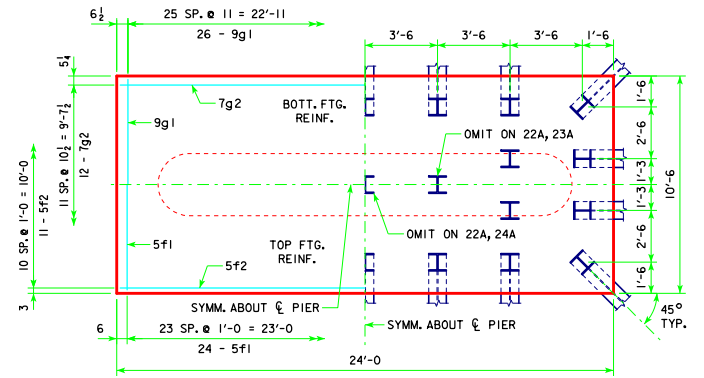


d2

NOTE: D = PIN DIAMETER.
DIMENSIONS ARE OUT TO OUT.



3'-6 x 10'-6 x 24'-0 FOR 20A & 21A



3'-6 x 10'-6 x 24'-0 FOR 22A, 23A & 24A

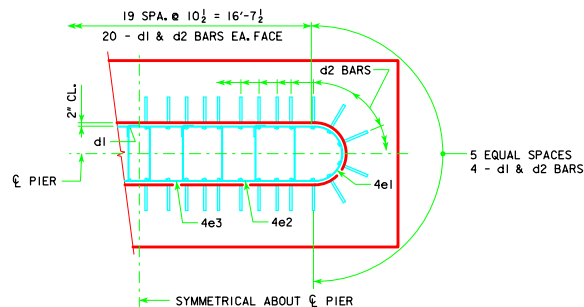
NOTE: THE REINFORCING STEEL QUANTITY IS TO BE INCLUDED ON THE SUMMARY QUANTITIES SHEET IN THE PLAN.

NOTE: THE CONCRETE QUANTITY IS TO BE INCLUDED ON THE SUMMARY QUANTITIES SHEET IN THE PLAN.

NOTE: THE PILE TYPE IS TO BE INCLUDED ON THE SUMMARY QUANTITIES SHEET IN THE PLAN.

H IN FT.	CL - CL ABUT. BRG.	PILING (HP10x57)		FOOTING SIZE
		NO. & LAYOUT	① LRFD PU, STRENGTH I DES. LOAD (KIPS)	
18 TO 21	201'-4	20A	143	3'-6 x 10'-6 x 24'
	213'-10	21A	144	
	226'-4	22A	142	
	243'-0	23A	144	
21 TO 24	201'-4	20A	146	3'-6 x 10'-6 x 24'
	213'-10	22A	139	
	226'-4	22A	145	
	243'-0	24A	143	
22 TO 24	201'-4	21A	145	3'-6 x 10'-6 x 24'
	213'-10	22A	143	
	226'-4	23A	145	
	243'-0	24A	146	

FOOTING SIZE	REINFORCING STEEL (ONE FOOTING)			TOTAL WEIGHT (LB.)	STRUCTURAL CONCRETE (CY)
	BAR NO., SIZE & SPACING	LENGTH	WEIGHT (LB.)		
3'-6 x 10'-6 x 24'	d2 48 - #10 AS SHOWN	10'-0	2065	4070	32.7
	f1 24 - #5 @ 1'-0	10'-2	254		
	f2 11 - #5 @ 1'-0	23'-8	272		
	g1 26 - #9 @ 0'-11	10'-2	899		
	g2 12 - #7 @ 0'-10 1/2	23'-8	580		



d2 BAR LAYOUT
(SEE SECTION A-A ON SHEET H40-73-14.)

① NOTE: PU, STRENGTH I DESIGN LOAD (KIPS) IS NOT THE VALUE USED IN THE FIELD FOR DRIVING PILES.

FOOTING NOTES:

THESE FOOTINGS ARE DESIGNED AND DETAILED TO BE USED WITH THE CAP AND COLUMN DETAILS OF THE TEE PIERS AS SHOWN ON SHEET H40-73-14.

BATTER PILES IN EXTERIOR ROWS 1:4 IN THE DIRECTION SHOWN.

STEEL PILING USED AS POINT BEARING SHALL HAVE A MINIMUM DISTANCE OF APPROXIMATELY 10 FEET FROM BOTTOM OF FOOTING TO TOP OF BEARING ROCK. THE PILE LAYOUTS ARE SUCH THAT THE DISTANCE CENTER TO CENTER OF ADJACENT PILING SHALL NOT EXCEED 8'-0.

PIER PILES SHALL BE DRIVEN TO VALUES SHOWN IN DESIGN PLANS.

LATEST REVISION DATE	 APPROVED BY BRIDGE ENGINEER	 STANDARD DESIGN - 40' ROADWAY, THREE SPAN BRIDGE PRETENSIONED PRESTRESSED CONCRETE BEAM BRIDGES SEPTEMBER, 2014	H40-75-14
		TEE PIER-HP10x57 SRL-1 STEEL PILE FOOTINGS 30° SKEW - H=16' TO 24'	