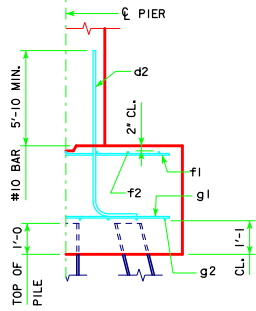
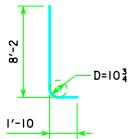


REVISED 04-13 - REVISION FOR LRFD PILE DESIGN.



TYPICAL SECTION

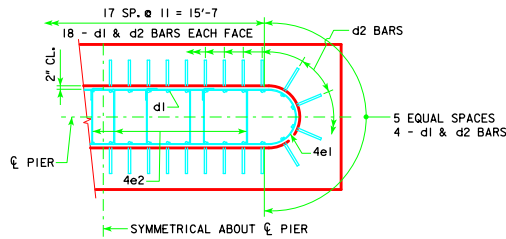


d2

NOTE: D = PIN DIAMETER.
DIMENSIONS ARE OUT TO OUT.

H IN FT.	PILING (HP10x57)			FOOTING SIZE
	CL - CL ABUT. BRG.	NO. & LAYOUT	LRFD P _u STRENGTH I ₁ DES. LOAD (KIPS)	
18 TO 21	201'-4	16A	142	3'-6 x 8' x 23'
	213'-10	16A	147	
	226'-4	18A	141	
	243'-0	18A	146	
21 TO 24	201'-4	17A	136	3'-6 x 9' x 23'
	213'-10	17A	141	
	226'-4	18B	139	
	243'-0	18B	144	
24 TO 27	201'-4	17A	141	3'-6 x 9' x 23'
	213'-10	17A	145	
	226'-4	18B	143	
	243'-0	19A	142	

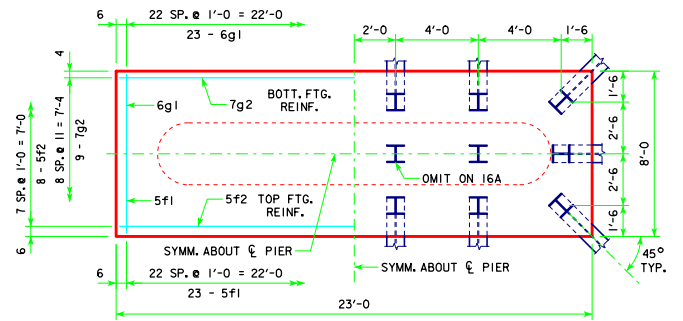
FOOTING SIZE	REINFORCING STEEL (ONE FOOTING)				TOTAL WEIGHT (LB.)	STRUCTURAL CONCRETE (CY)
	BAR NO., SIZE & SPACING	LENGTH	WEIGHT (LB.)			
3'-6 x 8' x 23'	d2 44 - #10 AS SHOWN	10'-0	1893	2948	23.9	
	f1 23 - #5 @ 1'-0	7'-8	184			
	f2 8 - #5 @ 1'-0	22'-8	189			
	g1 23 - #6 @ 1'-0	7'-8	265			
	g2 9 - #7 @ 0'-11	22'-8	417			
3'-6 x 9' x 23'	d2 44 - #10 AS SHOWN	10'-0	1893	3209	26.8	
	f1 23 - #5 @ 1'-0	8'-8	208			
	f2 9 - #5 @ 1'-0	22'-8	213			
	g1 27 - #7 @ 0'-10	8'-8	478			
	g2 9 - #7 @ 1'-0	22'-8	417			



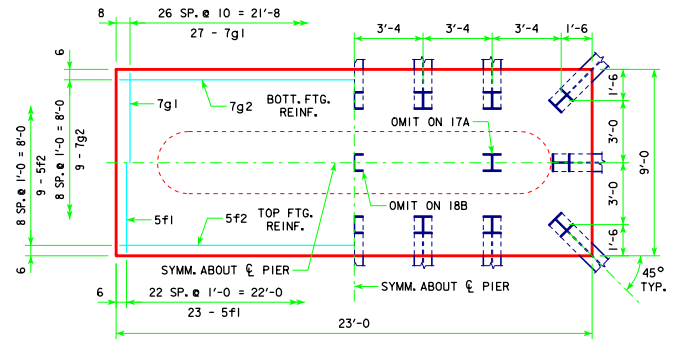
d2 LAYOUT

(SEE SECTION A-A ON SHEET H30-71-06.)

NOTE: P_u STRENGTH I DESIGN LOAD (KIPS) IS NOT THE VALUE USED IN THE FIELD FOR DRIVING PILES.



3'-6 x 8'-0 x 23'-0 FOR 16A & 18A



3'-6 x 9'-0 x 23'-0 FOR 17A, 18B & 19A

FOOTING NOTES:

THESE FOOTINGS ARE DESIGNED AND DETAILED TO BE USED WITH THE CAP AND COLUMN DETAILS OF THE TEE PIERS AS SHOWN ON SHEET H30-57-06.

BATTER PILES IN EXTERIOR ROWS 1/4 IN THE DIRECTION SHOWN.

STEEL PILING USED AS POINT BEARING SHALL HAVE A MINIMUM DISTANCE OF APPROXIMATELY 10 FEET FROM BOTTOM OF FOOTING TO TOP OF BEARING ROCK. THE PILE LAYOUTS ARE SUCH THAT THE DISTANCE CENTER TO CENTER OF ADJACENT PILING SHALL NOT EXCEED 8'-0.

PIER PILES SHALL BE DRIVEN TO VALUES SHOWN IN DESIGN PLANS.

LATEST REVISION DATE 04-13	APPROVED BY BRIDGE ENGINEER <i>Thomas E. M. Dwyer</i>		
		STANDARD DESIGN - 30' ROADWAY, THREE SPAN BRIDGES PRETENSIONED PRESTRESSED CONCRETE BEAM BRIDGES DECEMBER, 2006	
		TEE PIER-HP10x57 SRL-1 STEEL PILE FOOTINGS 30° SKEW - H=16' to 24'	H30-72-06