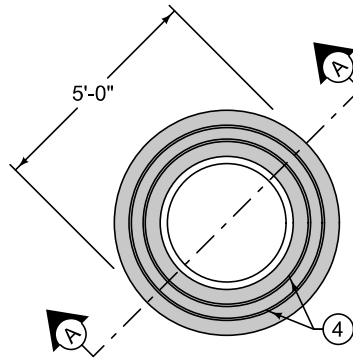
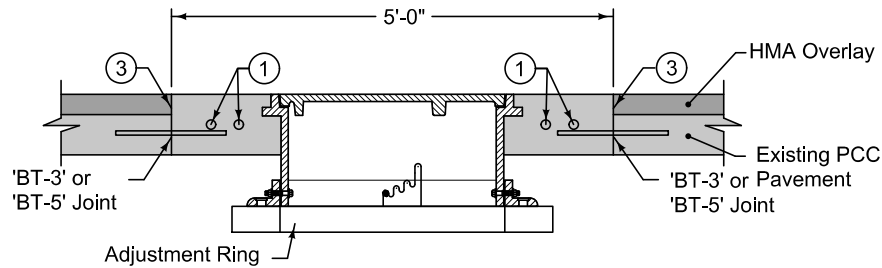


RECTANGULAR

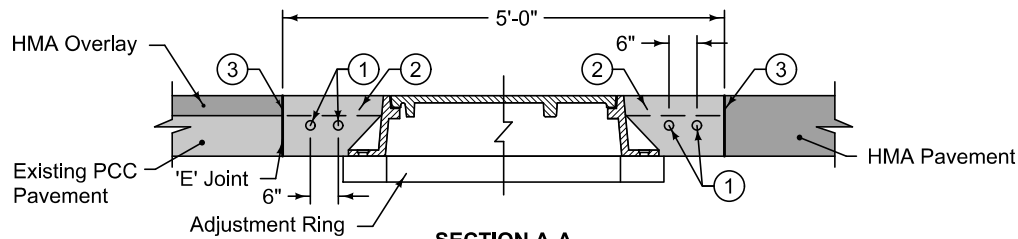


CIRCULAR



SECTION A-A

(For three-piece floating casting)



SECTION A-A

(For two-piece fixed casting)

Construct boxout with Class C concrete. Minimum 2 inches clear on reinforcement. Center casting within boxout area.

- ① 4 foot 8 inch (typ.) #4 bar. Place at mid-slab.
- ② If boxout is constructed prior to placement of HMA overlay or final lift of HMA pavement, boxout may be constructed low and then final lift or overlay placed.
- ③ Apply tack coat.
- ④ #4 hoops (variable length). Place at mid-slab.

		REVISION
		New 04-19-11
FIGURE 7020.201	STANDARD ROAD PLAN	<b>PV-201</b>
		SHEET 1 of 1
REVISIONS: New. Joint Standard with SUDAS.		
SUDAS DIRECTOR		DESIGN METHODS ENGINEER
<b>MANHOLE BOXOUTS IN HMA PAVEMENT AND HMA OVERLAYS</b>		