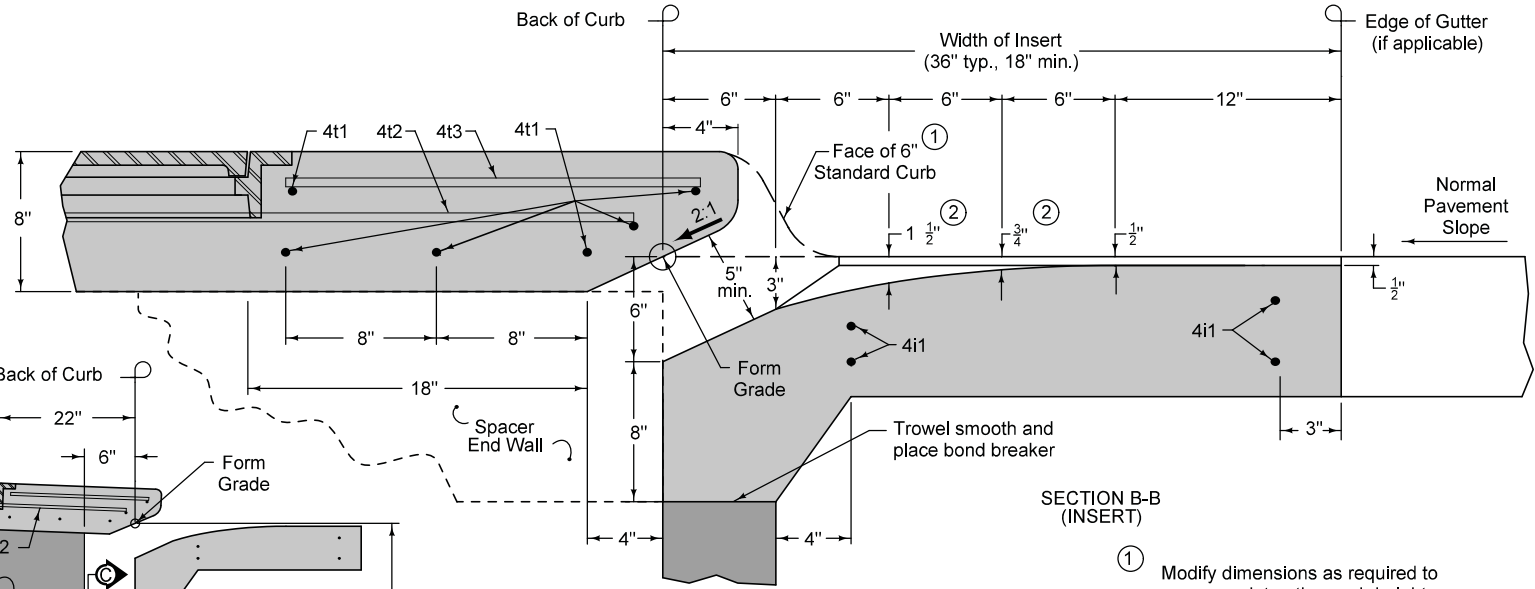
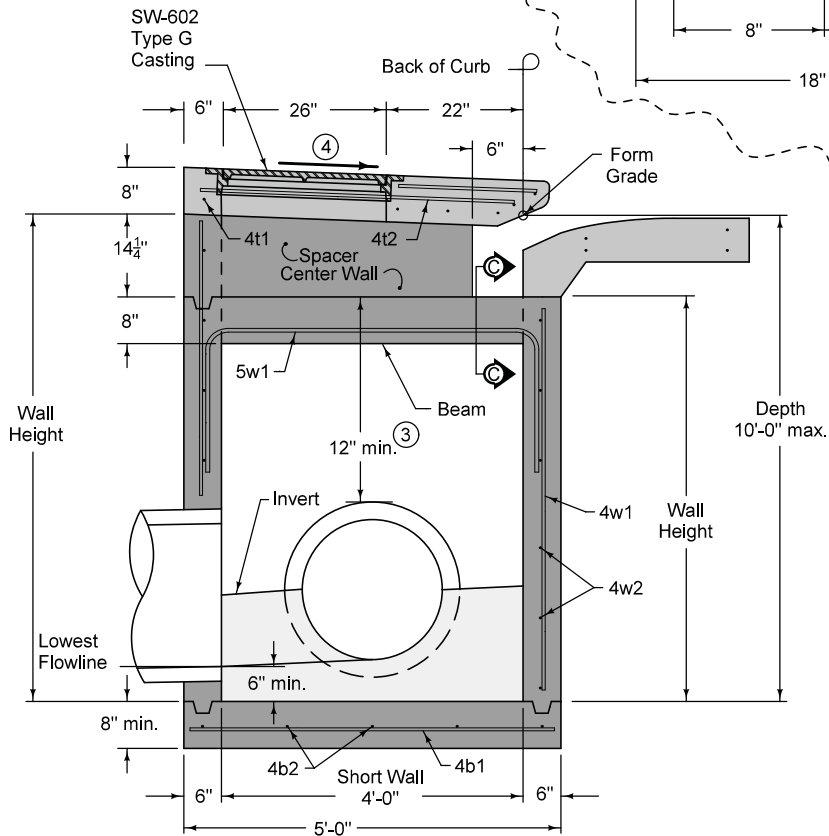


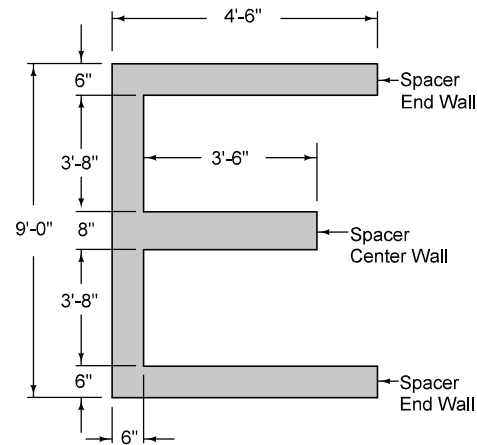
SECTION C-C



SECTION B-B (INSERT)



SECTION A-A



PLAN (SPACER)

- ① Modify dimensions as required to accommodate other curb heights when specified.
- ② Insert shaping may be modified for insert widths less than 36 inches. For an 18 inch insert, reduce dimensions indicated by 1/4 inch.
- ③ 12 inch minimum wall height above all pipes.
- ④ Slope of 1.5% or as specified in the contract documents.

SUDAS	IOWADOT	REVISION
		4   10-21-14
FIGURE 6010.510	STANDARD ROAD PLAN	<b>SW-510</b> SHEET 1 of 2
REVISIONS: Added circle note 4.		
<i>Paul D. Wigand</i> SUDAS DIRECTOR <i>Brian Smith</i> DESIGN METHODS ENGINEER		
<b>DOUBLE OPEN-THROAT CURB INTAKE, LARGE BOX</b>		

FIGURE 6010.510 SHEET 1 OF 2

