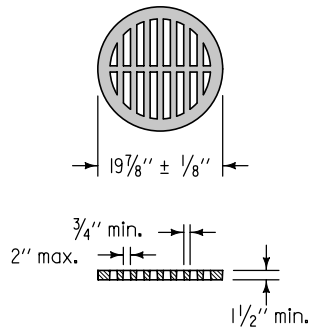
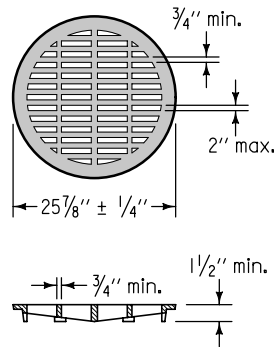


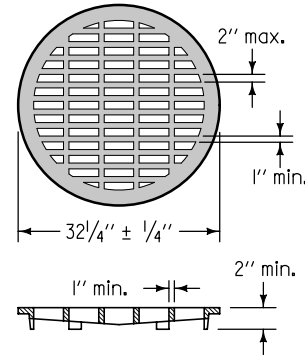
TYPE 4



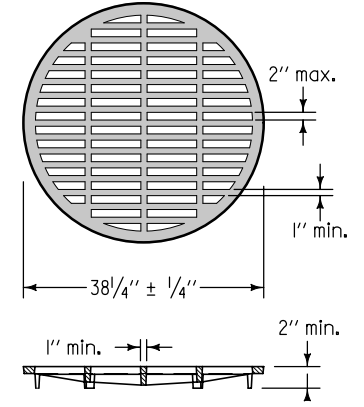
TYPE 4A
For Placement on 18" RCP



TYPE 4B
For Placement on 24" RCP

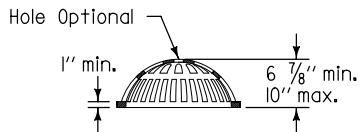
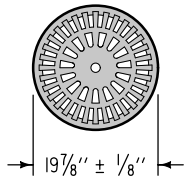


TYPE 4C
For Placement on 30" RCP

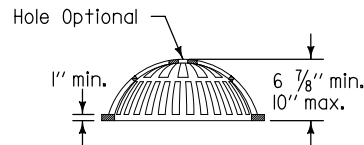
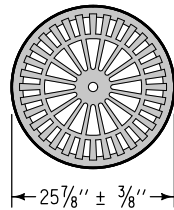


TYPE 4D
For Placement on 36" RCP

TYPE 3
(Light Duty)



TYPE 3A
For Placement on 18" RCP



TYPE 3B
For Placement on 24" RCP

TYPE 5
(Light Duty)
For Placement on 24" to 30" RCP

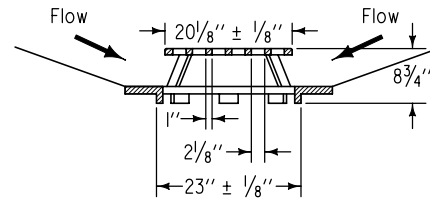
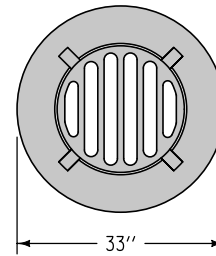
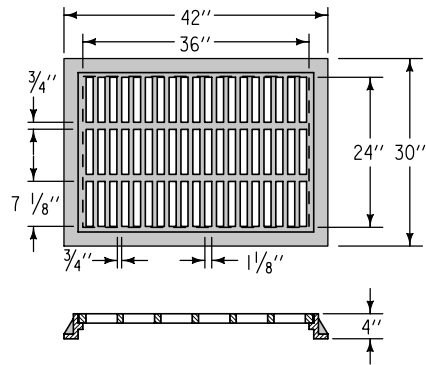


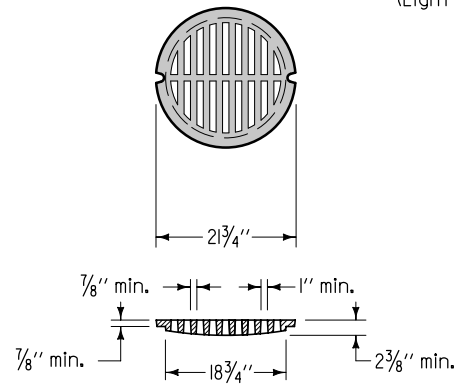
FIGURE 6010.604 SHEET 1 OF 2

		REVISION
		1 10-20-09
FIGURE 6010.604 STANDARD ROAD PLAN		SW-604
		SHEET 1 of 2
REVISIONS: Added Type 9 Grate to sheet 2. Added shading.		
SUDAS DIRECTOR		DESIGN METHODS ENGINEER
CASTINGS FOR AREA INTAKES		

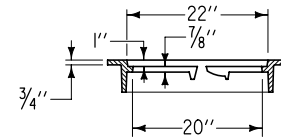
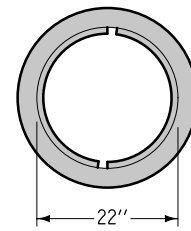
TYPE 6



TYPE 9
(Light Duty)



GRATE ①
Minimum Weight = 85 lbs.



FRAME
Minimum Weight = 75 lbs.

① Cast grate without locking lugs so it may be used in an inverted position.

SUDAS	Iowa Department of Transportation	REVISION
		1 10-20-09
FIGURE 6010.604 STANDARD ROAD PLAN		SW-604
		SHEET 2 of 2
REVISIONS: Added Type 9 Grate to sheet 2. Added shading.		
 SUDAS DIRECTOR	 Deanna Mailfield	DESIGN METHODS ENGINEER
CASTINGS FOR AREA INTAKES		