

* Series 2000 Standard Alphabets.

** Optically space numerals about vertical center line.



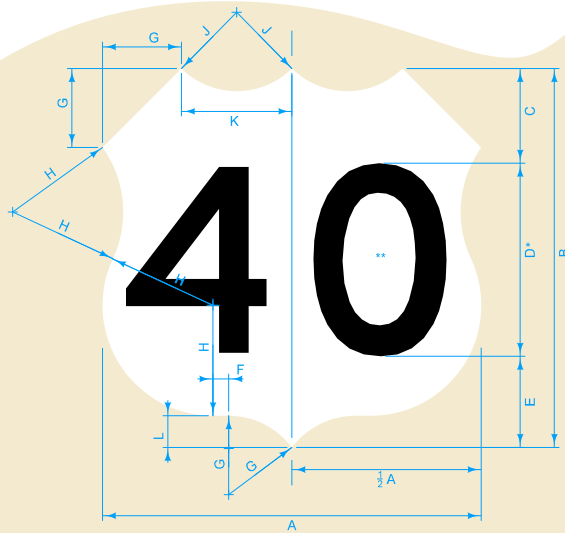
INTERSTATE ROUTE MARKERS

Sign	Width	Height	Border Thk.	Numeral Top Offset	Numeral Height & Font	Numeral Bottom Offset	Upper Section Height	Top Radius	Side Radius	Text Top Offset	Text Height & Font	Text Length Lt & Rt
	A	B		D	E	F		G	H		J	
2 Digit Routes	48	48	1	15.375	20 C	12.625	10	30	30	4	5 C	15.307
	36	36	0.75	11.5	15 C	9.5	7.5	22.5	22.5	2.75	4 C	12.246
	24	24	0.5	7.625	10 C	6.375	5	15	15	2	2.5 C	7.658
	13	13	0.271	4.125	5.5 C	3.375	2.708	8.125	8.125	0.875	1.5 C	4.6125
	10	10	0.208	3.25	4.25 C	2.5	2.083	6.25	6.25	0.75	1 C	3.075
6	6	0.125	2	2.5 C	1.5	1.25	3.75	3.75	0.5	0.625C	1.92	
3 Digit Routes	60	48	1	15.375	20 B	12.625	10	48	34	4	5 E	21.818
	45	36	0.75	11.5	15 B	9.5	7.5	36	25.5	2.75	4 E	17.455
	30	24	0.5	7.625	10 B	6.375	5	24	17	2	2.5 E	10.911
	16.25	13	0.271	4.125	5.5 B	3.375	2.708	13	9.2083	0.875	1.5 E	6.57
	12	10	0.208	3.25	4.25 B	2.5	2.083	10	7.0833	0.75	1 E	4.38
7.5	6	0.125	2	2.5 B	1.5	1.25	6	4.25	0.5	0.625E	2.74	

All dimensions are in inches unless otherwise designated.

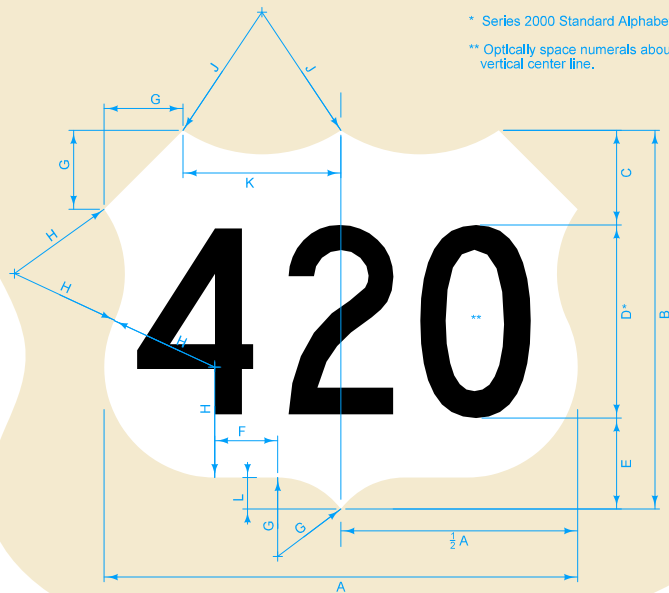
COLORS:
Text: White
Border: White
Background (Interstate): Red
Background (Route No.): Blue

	REVISION
	3 04-19-16
STANDARD ROAD PLAN	SI-121
SHEET 1 of 5	
REVISIONS: Added circle note 1 to pages 2 and 3 and circle note 2 to page 5. Updated tables on all pages to reflect current sign types and sizes.	
 APPROVED BY DESIGN METHODS ENGINEER	
FABRICATION - SIGN LEGEND COMPONENTS	



* Series 2000 Standard Alphabets.

** Optically space numerals about vertical center line.



US ROUTE MARKERS



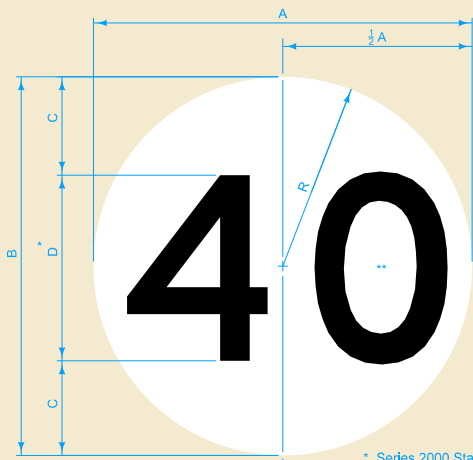
① Black borders added to route shields will not be accepted.

Sign	Width	Height	Numeral Top Offset	Numeral Height & Font	Numeral Bottom Offset	Bottom Tangent Length	Upper Section Height	Corner & Top Radius	Side Radius	Top Radius	Bottom Tangent Offset
	A	B	C	D	E	F	G	H	J	K	L
1 Digit Routes	48	48	11	24 D	13	2	10	14	10	14	4
	36	36	8.25	18 D	9.75	1.5	7.5	10.5	7.5	10.5	3
	24	24	5.5	12 D	6.5	1	5	7	5	7	2
	13	13	3	6.5 D	3.5	0.542	2.708	3.792	2.708	3.792	1.083
	10	10	2.25	5 D	2.75	0.417	2.083	2.917	2.083	2.917	0.833
	6	6	1.375	3 D	1.625	0.25	1.25	1.75	1.25	1.75	0.5
2 Digit Routes	48	48	11	24 C	13	2	10	14	10	14	4
	36	36	8.25	18 C	9.75	1.5	7.5	10.5	7.5	10.5	3
	24	24	5.5	12 C	6.5	1	5	7	5	7	2
	13	13	3	6.5 C	3.5	0.542	2.708	3.792	2.708	3.792	1.083
	10	10	2.25	5 C	2.75	0.417	2.083	2.917	2.083	2.917	0.833
	6	6	1.375	3 C	1.625	0.25	1.25	1.75	1.25	1.75	0.5
3 Digit Routes	60	48	11	24 B	13	8	10	14	18	20	4
	45	36	8.25	18 B	9.75	5.5	7.5	10.5	13.5	15	3
	30	24	5.5	12 B	6.5	4	5	7	9	10	2
	16.25	13	3	6.5 B	3.5	2.167	2.708	3.792	4.875	5.416	1.083
	12	10	2.25	5 B	2.75	1.417	2.083	2.917	3.439	3.917	0.833
	7.5	6	1.375	3 B	1.625	1	1.25	1.75	2.25	2.5	0.5

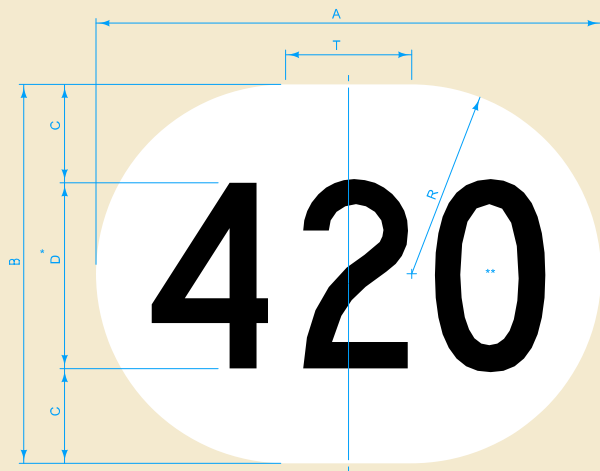
All dimensions are in inches unless otherwise designated.

COLORS:
Text: White
Shield: White

	REVISION	3	04-19-16
	STANDARD ROAD PLAN	SI-121	
SHEET 2 of 5			
REVISIONS: Added circle note 1 to pages 2 and 3 and circle note 2 to page 5. Updated tables on all pages to reflect current sign types and sizes.			
APPROVED BY DESIGN METHODS ENGINEER			
FABRICATION - SIGN LEGEND COMPONENTS			



* Series 2000 Standard Alphabets.
 ** Optically space numerals about vertical center line.



STATE ROUTE MARKERS



① Black borders added to route shields will not be accepted.

Sign	Width	Height	Numeral Offset	Numeral Height & Font	Radius	Tangent
	A	B	C	D	R	T
1 Digit Routes	48	48	12	24 D	24	-
	36	36	9	18 D	18	-
	24	24	6	12 D	12	-
	13	13	3.25	6.5 D	6.5	-
	10	10	2.5	5 D	5	-
	6	6	1.5	3 D	3	-
2 Digit Routes	48	48	12	24 C	24	-
	36	36	9	18 C	18	-
	24	24	6	12 C	12	-
	13	13	3.25	6.5 C	6.5	-
	10	10	2.5	5 C	5	-
	6	6	1.5	3 C	3	-
3 Digit Routes	60	48	12	24 B	24	12
	45	36	9	18 B	18	9
	30	24	6	12 B	12	6
	16,25	13	3.25	6.5 B	6.5	3.25
	12	10	2.5	5 B	5	2
	7.5	6	1.5	3 B	3	1.5

All dimensions are in inches unless otherwise designated.

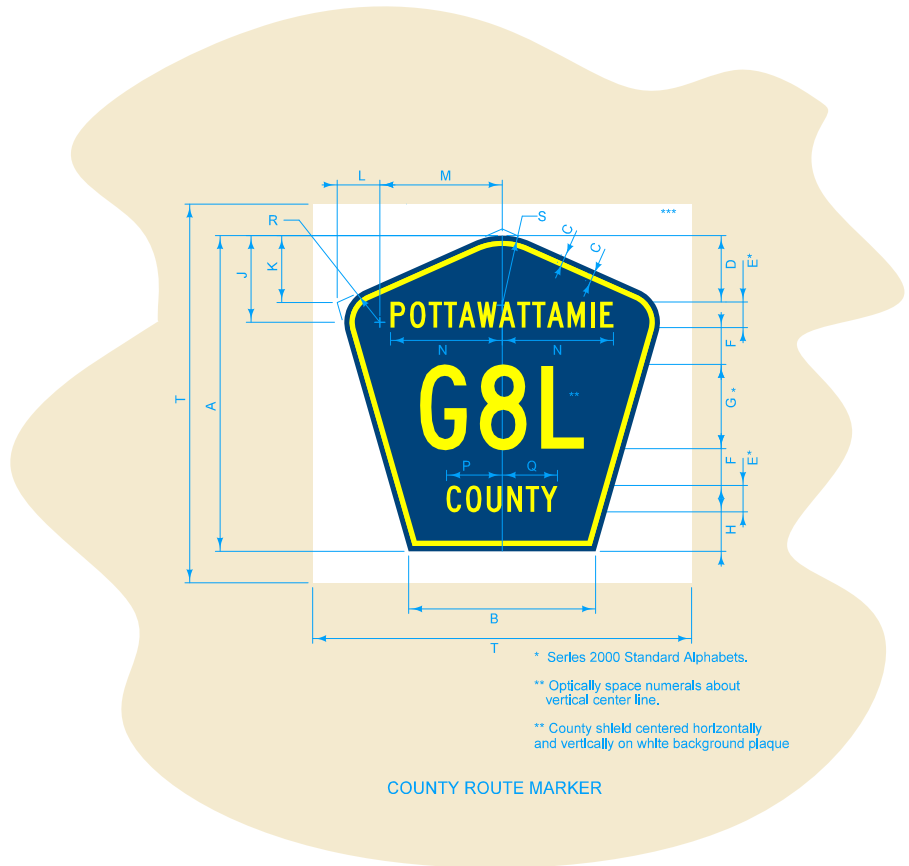
COLORS:
 Text: Black
 Shield: White

	REVISION
	3 04-19-16
STANDARD ROAD PLAN	SI-121
SHEET 3 of 5	

REVISIONS: Added circle note 1 to pages 2 and 3 and circle note 2 to page 5.
 Updated tables on all pages to reflect current sign types and sizes.

Brian Smith
 APPROVED BY DESIGN METHODS ENGINEER

FABRICATION -
 SIGN LEGEND COMPONENTS



* Series 2000 Standard Alphabets.
 ** Optically space numerals about vertical center line.
 ** County shield centered horizontally and vertically on white background plaque

COUNTY ROUTE MARKER

All dimensions are in inches unless otherwise designated.

COLORS:
 Text: Yellow
 Border: Yellow
 Shield: Blue
 Background: White

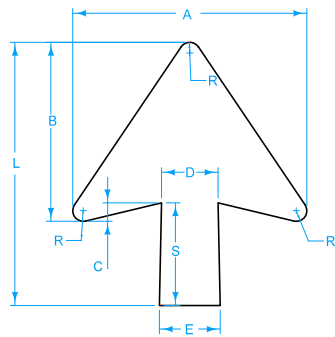
Sign	Height	Bottom Width	Border Thick. & Indent	County Top Offset	County Text Hgt & Font	Numeral Offset	Numeral Height & Font	County Bottom Offset	Radius Vertical Offset	Corner Vertical Offset	Corner Lateral Offset	Radius Lateral Offset	County Name Lt & Rt	County Text Left	County Text Right	Side Radius	Top Radius	Backgrnd Plaque
	A	B	C	D	E	F	G	H	J	K	L	M	N	P	Q	R	S	T
All Routes	36	21.25	0.5	7	3 C	3	12 C	4	10	6.75	4.75	14	VAR	7.5	7.75	4	10	42

IOWA DOT	REVISION	
	3	04-19-16
STANDARD ROAD PLAN		SI-121
		SHEET 4 of 5

REVISIONS: Added circle note 1 to pages 2 and 3 and circle note 2 to page 5.
 Updated tables on all pages to reflect current sign types and sizes.

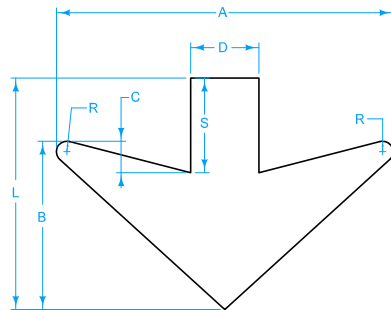
Brian Smith
 APPROVED BY DESIGN METHODS ENGINEER

**FABRICATION -
 SIGN LEGEND COMPONENTS**



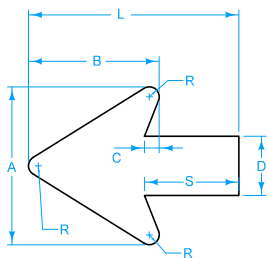
ID	Length L	Head Width A	Head Length B	Draft C	Radius R	Tip G	Shaft Width at Head D	Shaft Width at Tail E	Shaft Length S	Letter Size
I-A	17	15.125	11.5625	1.3125	0.8125	Round	3.75	4.03	6.75	8
I-B	25	15.125	11.5625	1.3125	0.8125	Round	3.75	4.36	14.75	8
I-C	20	18.25	14	1.5	0.75	Round	4.5	4.81	7.5	10-13.3
I-D	30	18.25	14	1.5	0.75	Round	4.5	5.23	17.5	10-13.3
I-E	25	22.25	17	1.75	1	Round	5.375	5.78	9.75	16
I-F	35	22.25	17	1.75	1	Round	5.375	6.2	19.75	16

TYPE I



ID	Length L	Head Width A	Head Length B	Draft C	Radius R	Tip G	Shaft Width at Head D	Shaft Width at Tail E
II-B	16	24	12	2.25	0.75	Point	4.875	6.25
II-A	22	32	16	3	1	Point	6.5	9

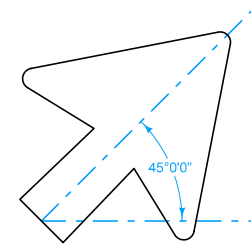
TYPE II



ID	Length L	Head Width A	Head Length B	Draft C	Radius R	Tip G	Shaft Width at Head D	Shaft Length S
III-4S	6	4	3.3125	0.375	0.25	Round	1.5	3.0625
III-4L	12	4	3.3125	0.375	0.25	Round	1.5	9.0625
III-5S	8	5	4.140625	0.46875	0.3125	Round	1.875	4.328
III-5L	12	5	4.140625	0.46875	0.3125	Round	1.875	8.328
III-6S	8	6	4.96875	0.5625	0.375	Round	2.25	3.59375
III-6L	14	6	4.96875	0.5625	0.375	Round	2.25	9.59375
III-8S	10.5	8	6.625	0.75	0.5	Round	3.0	4.625
III-8L	14	8	6.625	0.75	0.5	Round	3.0	8.125

TYPE III

② Type II-A arrows should be used in all typical 'down arrow' applications except where not practical due to size constraints.



I-E, 45

ARROW DESIGNATION:

Each arrow used on a guide sign is identified by a two part code as follows:
 Part 1 is the arrow ID number
 Part 2 is the angle in degrees between the center line of the arrow and the horizontal

All dimensions are in inches unless otherwise designated.

	REVISION
	3 04-19-16
STANDARD ROAD PLAN	SI-121
	SHEET 5 of 5

REVISIONS: Added circle note 1 to pages 2 and 3 and circle note 2 to page 5.
 Updated tables on all pages to reflect current sign types and sizes.

Brian Smith
 APPROVED BY DESIGN METHODS ENGINEER

FABRICATION -
 SIGN LEGEND COMPONENTS