

- ① Ensure the top Slip-Base Plate clears all Anchor Bolts.
- ② Furnish wire fabric material complying with **Materials I.M. 443.01**. Place wire fabric around anchor bolt circle between concrete foundation and base plate. Fit the fabric tight to the bottom surface of the baseplate and the top surface of the foundation to prevent rodent entry.
- ③ Refer to **LI-201** for foundation details.
- ④ Torque to 1000 in. lbs.

LIST OF FASTENER HARDWARE

1" anchor bolts: 3 total.

1" x 4 1/2" bolts for slip-base: 3 total.

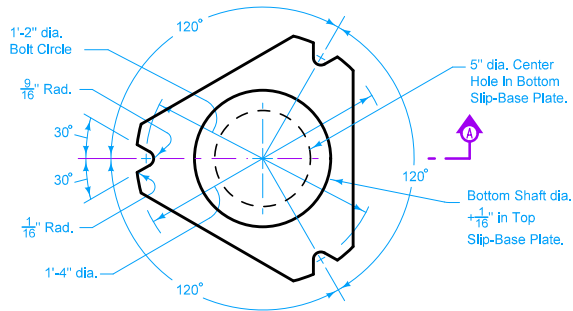
Plate washers: 6 total; 3 top plate and 3 bottom plate.

Circular washers: 9 total; 3 middle washers, 3 washers for leveling nuts, and 3 washers for anchor bolt nuts.

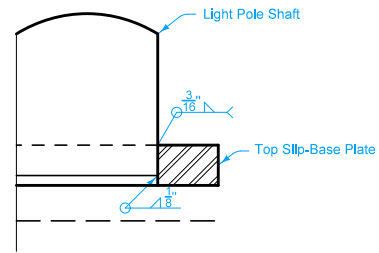
Lock washers: 3 total.

Nuts: 9 total; 3 leveling nuts, 3 nuts for anchor bolts, and 3 nuts for slip-base bolts.

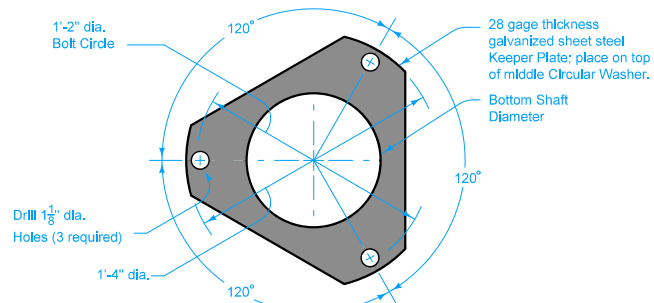
 STANDARD ROAD PLAN	REVISION
	1 10-20-15
	LI-211 SHEET 1 of 2
REVISIONS: Switched anchor plate and slip-base call outs in PLAN view on Sheet 1. Removed lock washers.	
 APPROVED BY DESIGN METHODS ENGINEER	
SLIP-BASE FOR LIGHT POLES	



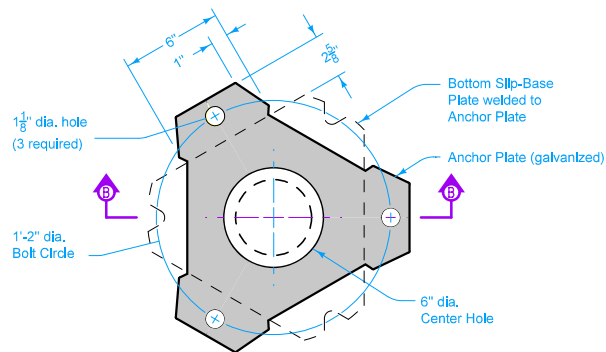
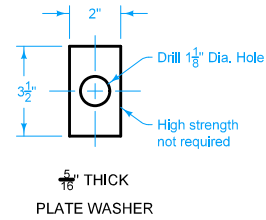
SLIP-BASE PLATE



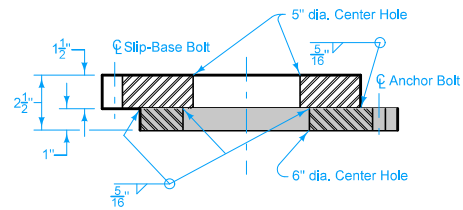
TYPICAL HALF SECTION 'A'
(Top Slip-Base Plate)



KEEPER PLATE



ANCHOR PLATE



SECTION B-B
ANCHOR PLATE

 STANDARD ROAD PLAN	REVISION	1	10-20-15
	LI-211		
	SHEET 2 of 2		
REVISIONS: Switched anchor plate and slip-base call outs in PLAN view on Sheet 1. Removed lock washers.			
APPROVED BY DESIGN METHODS ENGINEER <i>Brian Smith</i>			

SLIP-BASE FOR LIGHT POLES