

PLAN FOR SILT FENCE

Install all silt fence using a silt fence machine. Use manual (trench) installation if physical conditions prohibit machine installation.

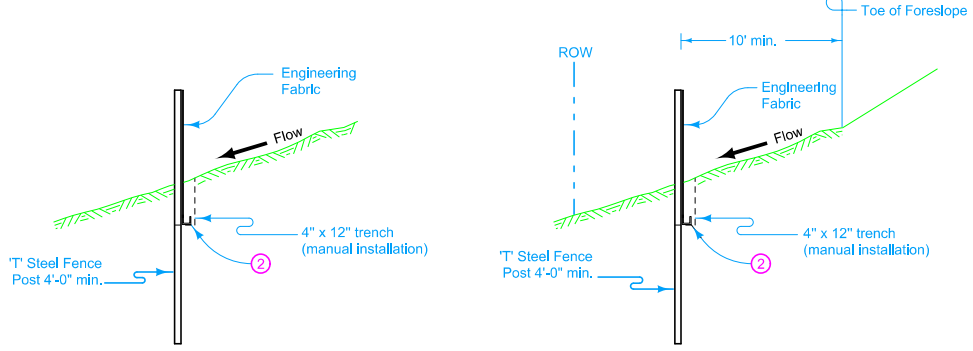
For machine installation, compact by driving over each side of silt fence at least two times with device exerting 60 p.s.i. or greater.

For manual installation, compact with a mechanical or pneumatic tamper.

Place silt fence continuously up to a maximum length of 200 feet. For every segment of silt fence that is placed, flare up the slope the last 20 feet of the segment to contain runoff as shown.

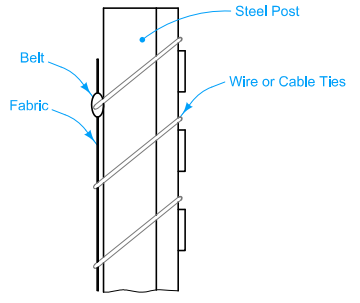
- ① Secure top of engineering fabric to steel posts using cable ties (50 lb.) or wire. See back view attachment to post.
- ② For manual installation only, fold engineering fabric along bottom of trench.
- ③ Embed all posts 28 inches below the ground line.

SILT FENCE - MACHINE AND MANUAL INSTALLATION

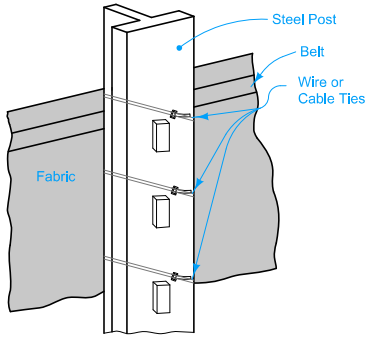


SECTION A-A

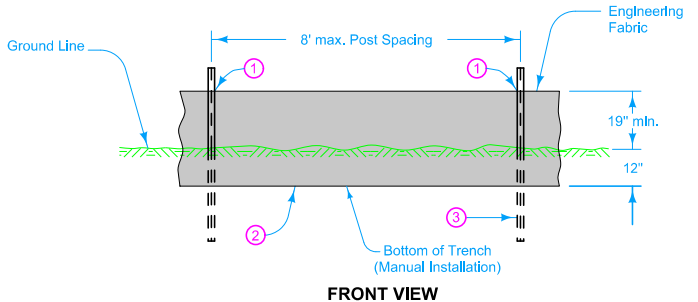
SECTION B-B



PROFILE VIEW ATTACHMENT TO POST



BACK VIEW ATTACHMENT TO POST



FRONT VIEW



Possible Contract Items:
Silt Fence
Silt Fence for Ditch Checks

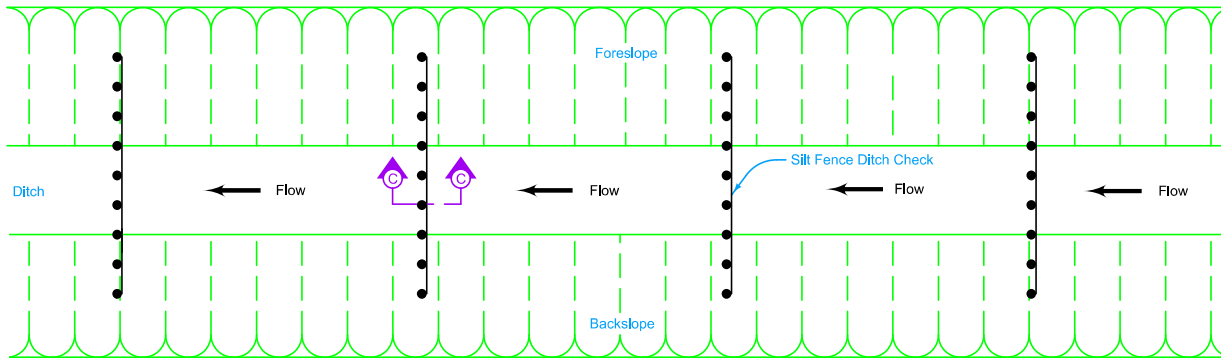
Possible Tabulations:
100-17
100-18

 STANDARD ROAD PLAN	REVISION
	1 04-21-15
	EC-201
SHEET 1 of 3	

REVISIONS: Clarified top of silt fence is to be minimum of 19 inches above ground line. Added notes to identify the bottom of the trench (manual installation).

Brian Smith
APPROVED BY DESIGN METHODS ENGINEER

SILT FENCE

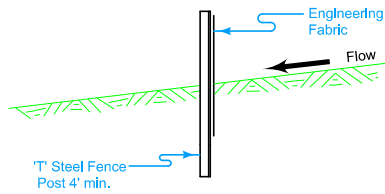


PLAN FOR DITCH CHECK

- ① Secure top of engineering fabric to steel posts using cable ties (50 lb.) or wire. See attachment to post.
- ② For manual installation only, fold engineering fabric along bottom of trench.
- ③ Embed all posts 28 inches below the ground line.
- ④ Locate posts at toe of foreslope and toe of backslope and space remaining posts equally.
- ⑤ The minimum end span of ditch check from the toe of slope is as shown below:

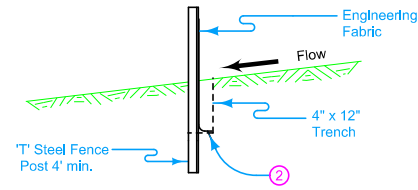
Foreslope or Backslope	Width
6:1	12'
6:1/3.5:1	10'
6:1/3:1	9'
3.5:1	7'
3:1	6'

DITCH CHECK - MACHINE INSTALLATION

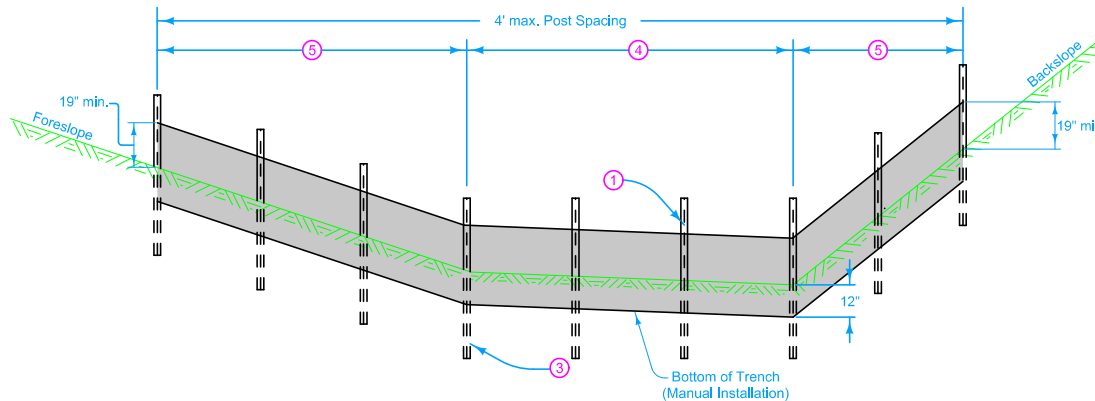


SECTION C-C

DITCH CHECK - MANUAL INSTALLATION



SECTION C-C



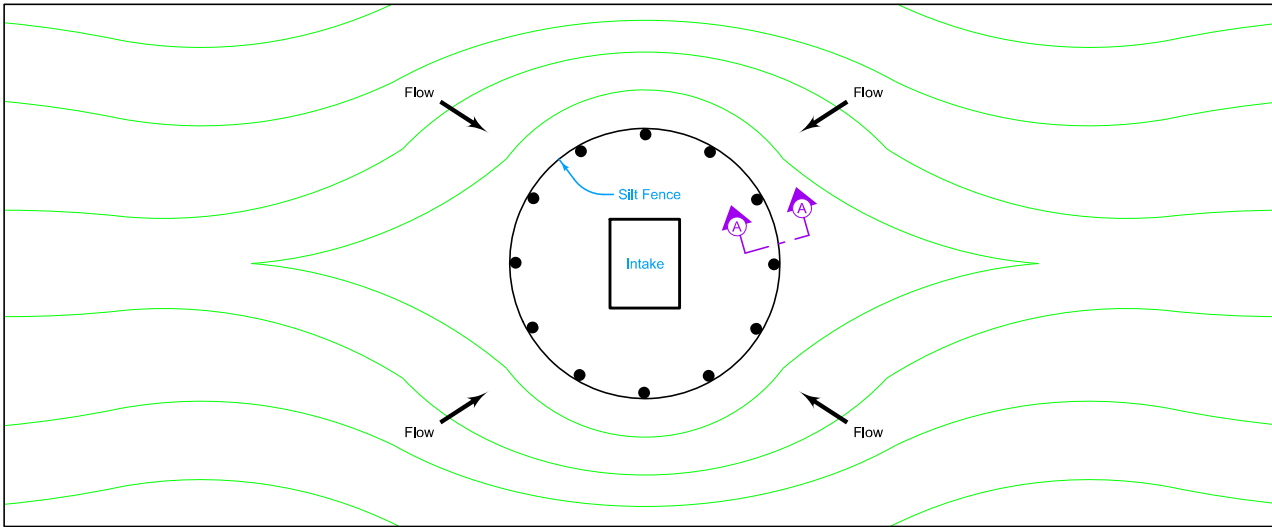
FRONT VIEW

 STANDARD ROAD PLAN	REVISION
	1 04-21-15
	EC-201
SHEET 2 of 3	

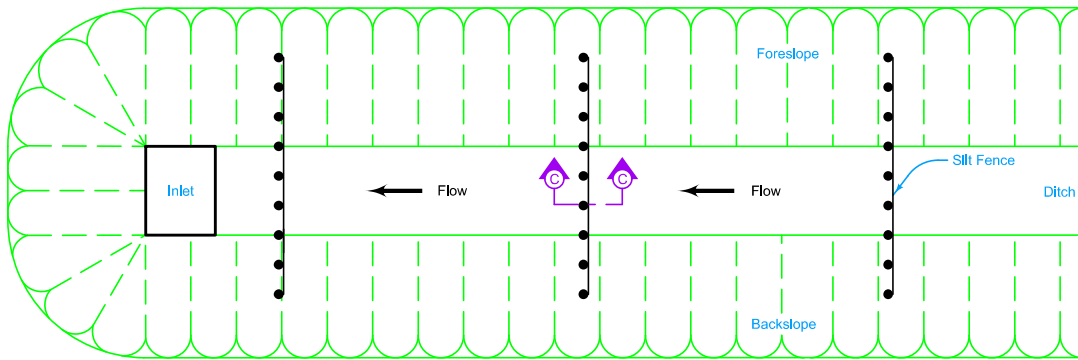
REVISIONS: Clarified top of silt fence is to be minimum of 19 inches above ground line. Added notes to identify the bottom of the trench (manual installation).

Brian Smith
APPROVED BY DESIGN METHODS ENGINEER

SILT FENCE





PLAN FOR SILT FENCE AT INTAKE



PLAN FOR SILT FENCE DITCH CHECK AT INLET

 Contour Lines

 STANDARD ROAD PLAN	REVISION 1 04-21-15
	EC-201
SHEET 3 of 3	
REVISIONS: Clarified top of silt fence Is to be minimum of 19 inches above ground line. Added notes to identify the bottom of the trench (manual installation).	
 APPROVED BY DESIGN METHODS ENGINEER	
SILT FENCE	