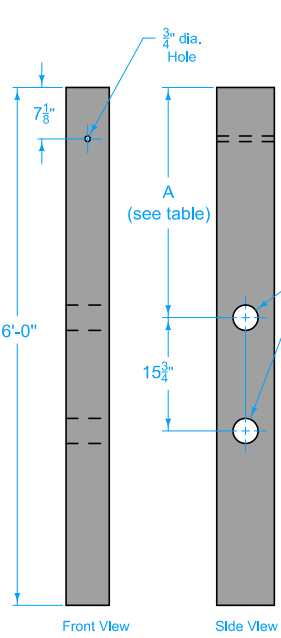
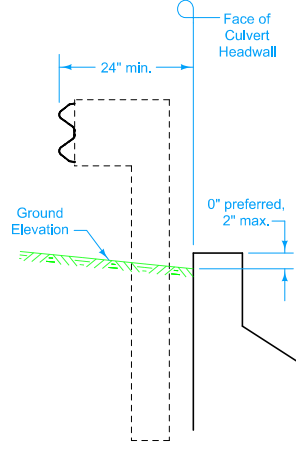
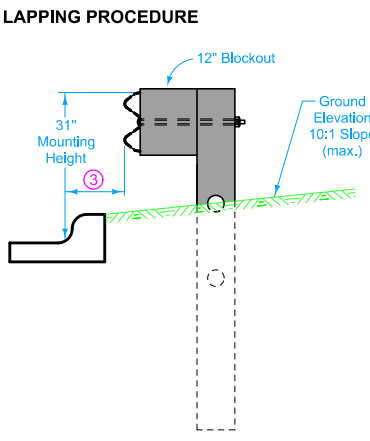
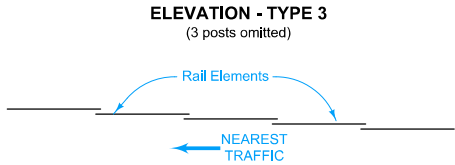
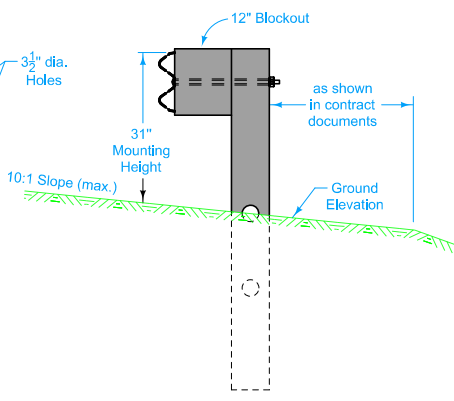


This sheet is intended to show the method of installing w-beam guardrail at locations where normal post placements are not possible due to conflicts with underground structures.

Installation Type	Minimum Guardrail Length ^①
1	37'-6"
2	43'-9"
3	50'-0"



CRT Post Location	A
Behind 4" curb	28"
Behind 6" curb	26"
Level ground	32"



- ① A minimum length of w-beam guardrail must be installed both upstream and downstream of the outermost CRT posts. Refer to the Minimum Guardrail Length table. This length includes the length of any end terminals, end anchors, and transition sections.
- ② A minimum of 62'-6" of w-beam guardrail must be installed between the outermost CRT post and the beginning of any Variable Flare (VF) section.
- ③ 6" maximum for guardrail placed behind 6" Standard Curbs, 6" Sloped Curbs, and non-standard curbs.

Possible Contract Item:
Steel Beam Guardrail

Materials included in the Contract Item:
(6) 6" x 8" x 6'-0" CRT posts
(6) 6" x 12" x 14¹/₂" blockouts
Approved bolts, nuts, and washers

Possible Tabulations:
108-8B
108-8C

IOWA DOT	REVISION
	New 10-21-14
STANDARD ROAD PLAN	BA-211
REVISIONS: New.	SHEET 1 of 1
<i>Brian Smith</i> APPROVED BY DESIGN METHODS ENGINEER	
STEEL BEAM GUARDRAIL LONG-SPAN SYSTEM FOR POST CONFLICTS	