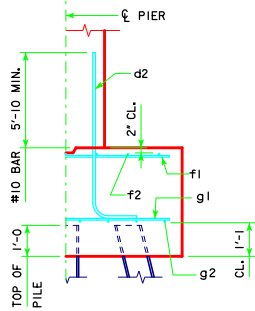
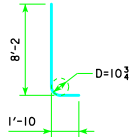


REVISED 05-13 - REVISION FOR LRFD PILE DESIGN.



TYPICAL SECTION



d2

NOTE: D = PIN DIAMETER.
DIMENSIONS ARE OUT TO OUT.

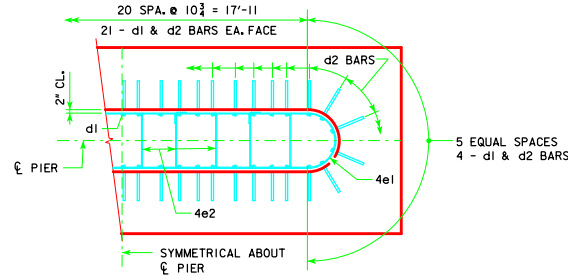
FOOTING NOTES:

THESE FOOTINGS ARE DESIGNED AND DETAILED TO BE USED WITH THE CAP AND COLUMN DETAILS OF THE TEE PIERS AS SHOWN ON SHEET H44-66-07.

BATTER PILES IN EXTERIOR ROWS 1:4 IN THE DIRECTION SHOWN.

STEEL PILING USED AS POINT BEARING SHALL HAVE A MINIMUM DISTANCE OF APPROXIMATELY 10 FEET FROM BOTTOM OF FOOTING TO TOP OF BEARING ROCK. THE PILE LAYOUTS ARE SUCH THAT THE DISTANCE CENTER TO CENTER OF ADJACENT PILING SHALL NOT EXCEED 8'-0.

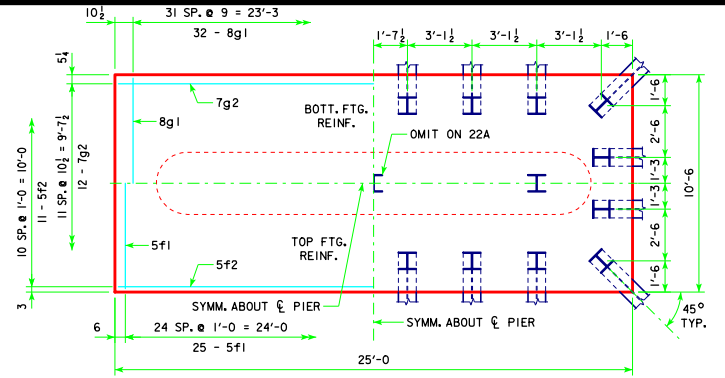
PIER PILES SHALL BE DRIVEN TO VALUES SHOWN IN DESIGN PLANS.



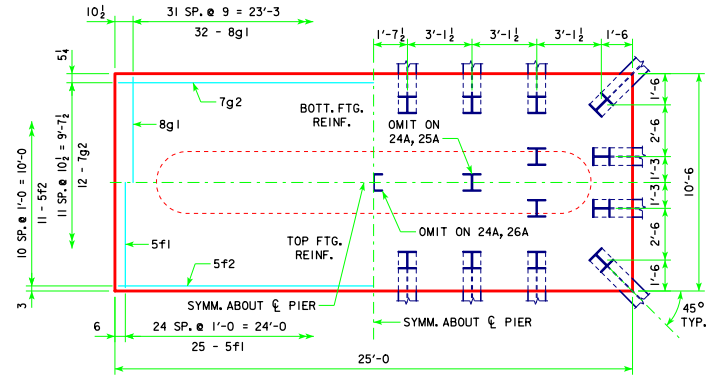
d2 BAR LAYOUT

(SEE SECTION A-A ON SHEET H44-66-07.)

NOTE: PU, STRENGTH I DESIGN LOAD (KIPS) IS NOT THE VALUE USED IN THE FIELD FOR DRIVING PILES.



3'-6 x 10'-6 x 25'-0 FOR 22A & 23A



3'-6 x 10'-6 x 25'-0 FOR 24A, 25A, 26A & 27A

| H IN FT. | ̄ - ̄ ABUT. BRG. | PILING (HP10x57) | | FOOTING SIZE |
|----------|------------------|------------------|--------------------------------------|--------------------|
| | | NO. & LAYOUT | LRFD PU, STRENGTH I DES. BRG. (KIPS) | |
| 18 TO 21 | 201'-4 | 22A | 143 | 3'-6 x 10'-6 x 25' |
| | 213'-10 | 23A | 145 | |
| | 226'-4 | 24A | 143 | |
| | 243'-0 | 25A | 146 | |
| 19 TO 21 | 201'-4 | 22A | 147 | 3'-6 x 10'-6 x 25' |
| | 213'-10 | 24A | 140 | |
| | 226'-4 | 24A | 146 | |
| | 243'-0 | 26A | 144 | |
| 22 TO 24 | 201'-4 | 23A | 146 | 3'-6 x 10'-6 x 25' |
| | 213'-10 | 24A | 143 | |
| | 226'-4 | 25A | 146 | |
| | 243'-0 | 27A | 144 | |

| FOOTING SIZE | REINFORCING STEEL (ONE FOOTING) | | | TOTAL WEIGHT (LB.) | STRUCTURAL CONCRETE (CY) |
|--------------------|---------------------------------|--------|--------------|--------------------|--------------------------|
| | BAR NO., SIZE & SPACING | LENGTH | WEIGHT (LB.) | | |
| 3'-6 x 10'-6 x 25' | d2 50 - #10 AS SHOWN | 10'-0 | 2152 | 4174 | 34.0 |
| | f1 25 - #5 @ 1'-0 | 10'-2 | 265 | | |
| | f2 11 - #5 @ 1'-0 | 24'-8 | 283 | | |
| | g1 32 - #8 @ 0'-9 | 10'-2 | 869 | | |
| | g2 12 - #7 @ 0'-10 1/2 | 24'-8 | 605 | | |

| | | |
|---------------------------------|---|--|
| 05-13 LATEST REVISION DATE | | PRETENSIONED PRESTRESSED CONCRETE BEAM BRIDGES MARCH, 2007 |
| | STANDARD DESIGN - 44' ROADWAY, THREE SPAN BRIDGE | |
| | TEE PIER-HP10x57 SRL-1 STEEL PILE FOOTINGS | |
| APPROVED BY BRIDGE ENGINEER | H44-68-07 | 30° SKEW - H=16' TO 24' |