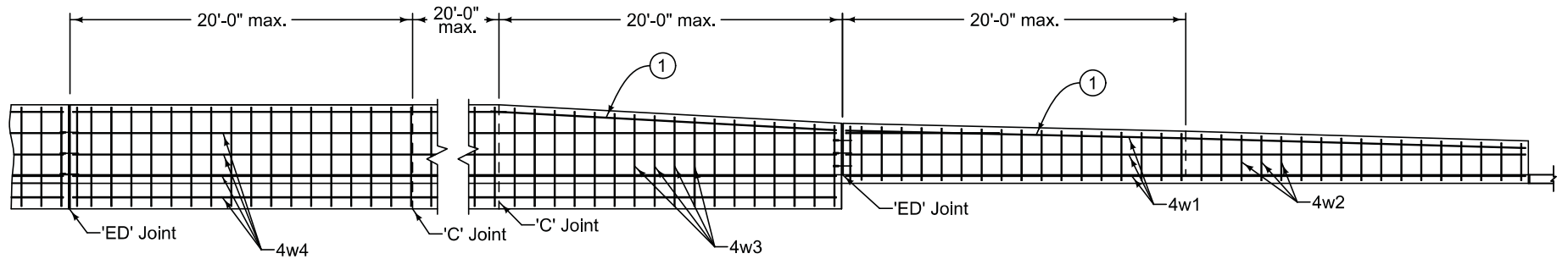


Provide a minimum concrete cover to near reinforcement of 1 1/2 inches. Provide 3 inches minimum cover at the ends of bars.

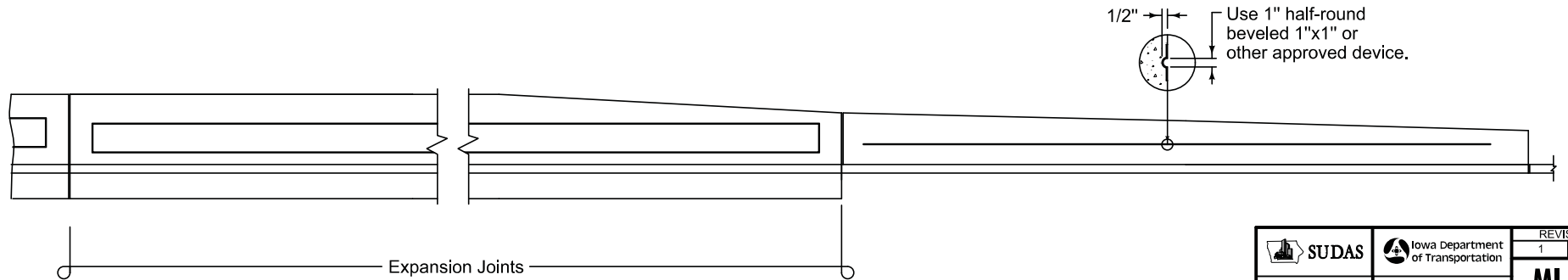
① Top bar parallel to top of wall. Lap 6 inch minimum as necessary. Tie securely.



**TYPE B WALL**

**TYPE A WALL**

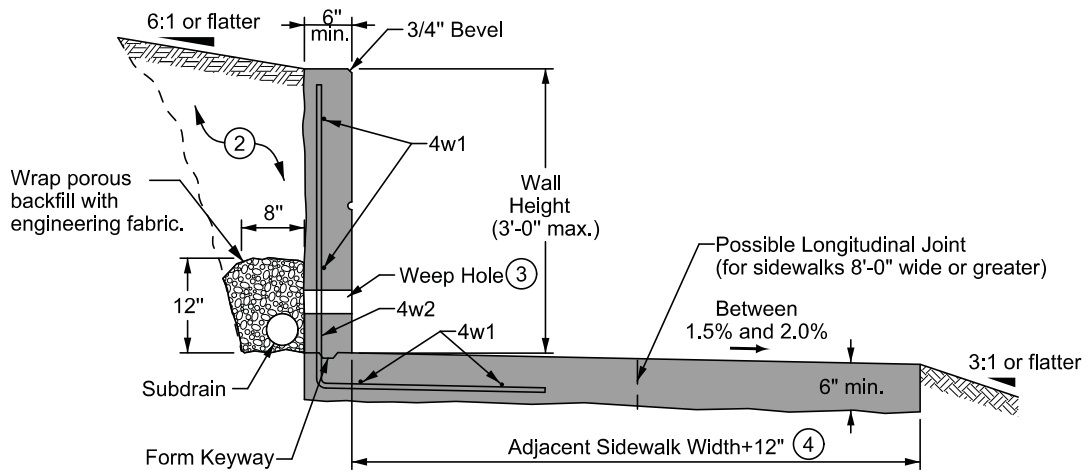
**TYPICAL LONGITUDINAL SECTION OF RETAINING WALL**



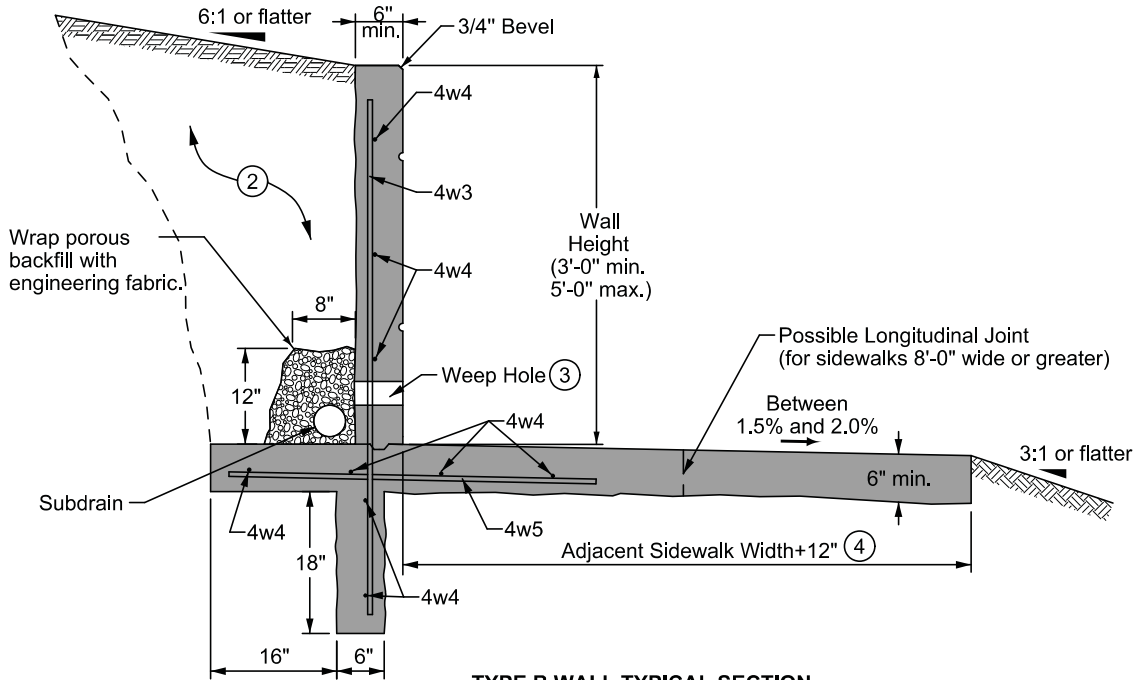
**TYPICAL RUSTICATION DETAIL**

FIGURE 9072.221 SHEET 1 OF 2

SUDAS Iowa Department of Transportation	REVISION
	1 04-17-12
<b>FIGURE 9072.221</b> STANDARD ROAD PLAN	<b>MI-221</b> SHEET 1 OF 2
<small>REVISIONS: Changed figure number to 9070.221. Added "or flatter" to clarify slope labels.</small>	
<i>Paul D. Weigand</i> <small>SUDAS DIRECTOR</small>	<i>Deanna Mayfield</i> <small>DESIGN METHODS ENGINEER</small>
<b>COMBINED RETAINING WALL - SIDEWALK</b>	



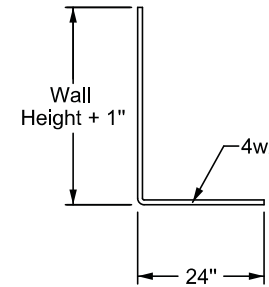
**TYPE A WALL TYPICAL SECTION**



**TYPE B WALL TYPICAL SECTION**

Provide a minimum concrete cover to near reinforcement of 1 1/2 inches. Provide 3 inches minimum cover at the ends of bars.

- ② Excavate and place backfill material as necessary.
- ③ Provide 3 inch diameter weep holes at 8 foot intervals. Install rodent guards in weep holes. Align bottom of weep hole with top of subdrain.
- ④ Additional 12 inch width is adjacent to wall.



**BENT BARS**

REINFORCING BAR LIST					
Wall Type	Mark	Size	Shape	Length	Spacing
Type A	4w1	4	—	Variable	15"
	4w2	4	L	Variable	14"
Type B	4w3	4	—	Wall Height + 18"	14"
	4w4	4	—	Variable	15"
	4w5	4	—	3'-10"	14"

		REVISION
		1 04-17-12
<b>FIGURE 9072.221</b>		<b>MI-221</b>
STANDARD ROAD PLAN		SHEET 2 OF 2
<small>REVISIONS: Changed figure number to 9070.221. Added "or flatter" to clarify slope labels.</small>		
<small>SUDAS DIRECTOR</small>		<small>DESIGN METHODS ENGINEER</small>
<b>COMBINED RETAINING WALL - SIDEWALK</b>		